



A24006

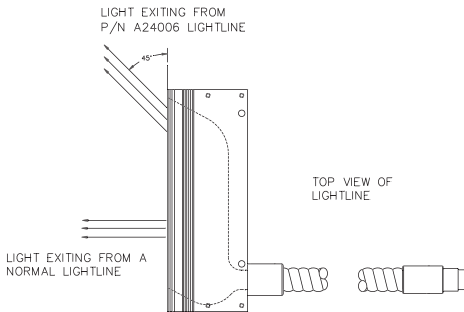
45° Lightline, A24006

# 45° Lightline

Engineered and designed to emit light at a 45° angle along the length of the line.

## Features

- The output fibers are angled 30° to the nosepiece, as a result they are polished on a bias, which causes emitted light to exit at 45° to the nosepiece. The line can be positioned off-axis to the object, illuminate the field-of-view without loss of uniformity, while avoiding interference with the camera; an important consideration in space constrained systems.
- Useful for illuminating a rectangular surface area where the features are perpendicular to the line body.
- Standard input ferrule fits ColdVision Series light sources. Can also be used with strobes.
- The lightline is calibrated to  $\pm 6$  gray scales at a mean of 200 with a gamma setting of 1.0, for optimum uniformity.
- Assembly method accurately positions the fiber line within the body on all three planes, to a tolerance of  $\pm .004$ ". The technique assures the fiber axis will be parallel with the mounting surface of the body.
- Rugged aluminum body with black anodized finish.
- PVC covered metal tubing protects the fiber bundle.
- Line scans and calibration specifications are available upon request.
- Custom configurations can be engineered for unique requirements.
- The cylindrical and apertured lenses are adjustable and easy to attach.
- Manufactured in the USA.



LIGHTLINES

## 45° Lightline

Part No.	Line Dimensions	Input Active Fiber Dia.	Gray Scale Uniformity <sup>^</sup>	Part No. for Lens	
	Length x Width			Cylindrical	Apertured
A24006	6" x .039" (152 x 1.0)	.51" (13)	$\pm 6$	Custom	Custom

