



Ringlight Adapters

For unique microscope objectives.

Features

- Made of black anodized aluminum.
- In stock and ready to ship.
- Manufactured in the USA.

A08560



A08607



A08608



A08609



A08626



A08628



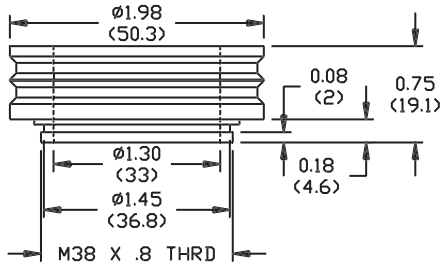
Ringlight Adapters

Part No.	Ringlight	Microscope	Mounting
A08606	A08600	B&L Zoom 4	Screws into Objective
A08607	A08625	Leica SZ4/SZ6 w/ auxiliary lens	Three Thumbscrews
A08608	A08625	Leica SZ4/SZ6 w/out auxiliary lens	Screws into Objective
A08609	A08630	Leica SZ7	#6 - 32 Hex Set Screw
A08626	A08625	Olympus SZ	Screw-on Retaining Ring
A08628	A08600, A08620	SMZ 645/660	Screws on Objective

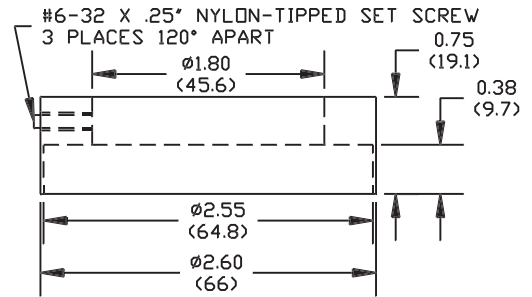
Ringlight Adapters

Dimensions in () are in mm

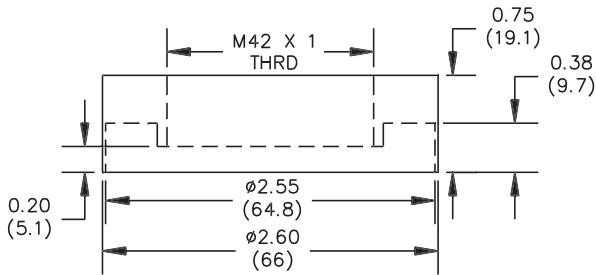
A08606
Ringlight Adapter



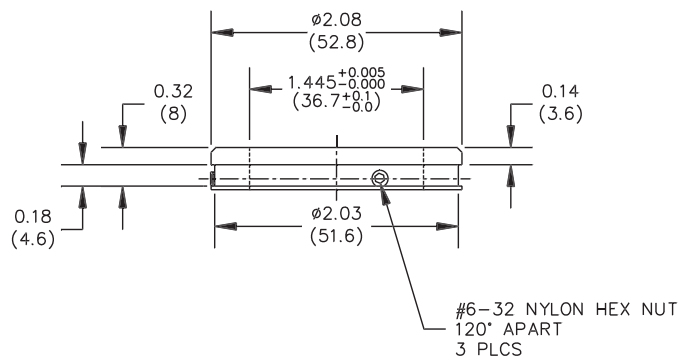
A08607
Ringlight Adapter



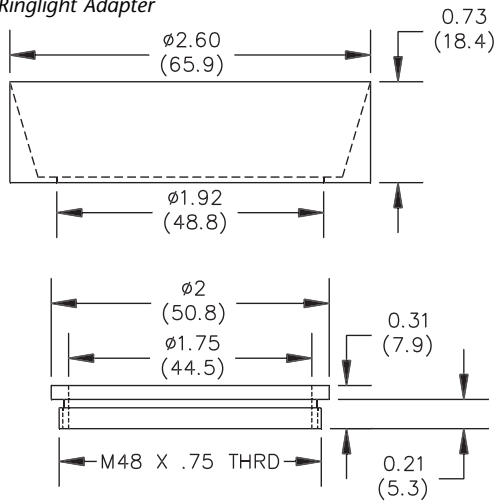
A08608
Ringlight Adapter



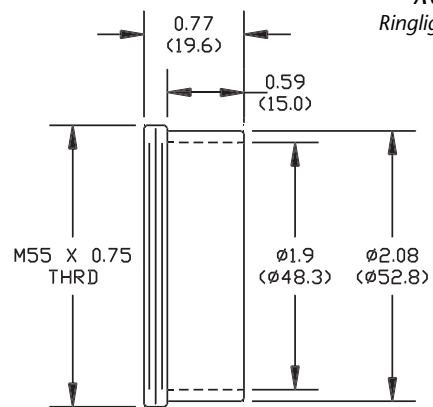
A08609
Ringlight Adapter



A08626
Ringlight Adapter



A08628
Ringlight Adapter



TECHNICAL SPECIFICATIONS