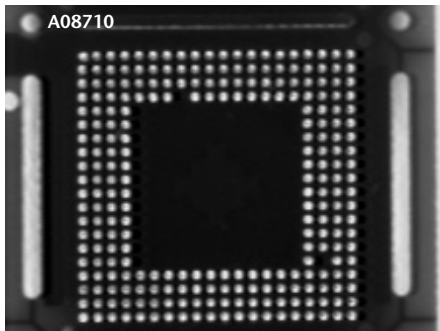


A22780

Darkfield Ringlight, A22780



A08710

Actual image of BGA (Ball Grid Array) chip illuminated by a Darkfield ringlight clearly identifies where solder balls are missing.

**SPECIAL CONFIGURATIONS FOR OEM & VISION INTEGRATORS!**  
Darkfield ringlights can be custom manufactured for your unique requirements. Call for a custom quote.

# Darkfield Ringlight

*Unique parabolic reflector ring creates a radial "light sheet" for oblique lighting effects*

## Features

- Eliminates need for a quad lightline and mounting hardware to create similar lighting effects.
  - Randomized bundle creates extremely uniform light output.
  - Remove the reflector ring to create a long working distance ringlight.
  - Can be used with continuous or strobe light sources.
  - Input fits all ColdVision light sources.
- The ringlights can be used with other manufacturer's continuous light sources. Adapters may be required.
- Standard input adapter accepts the full range of all our color filters.
  - Three #8-32 threaded mounting holes in the top of the ringlight body facilitate fixturing.
  - For positioning, we suggest attaching the A08525 post clamp to the ringlight which is supported by the A08506 articulated arm and A08507 base. These items are found in the Support Apparatus section of the product catalog.
  - Rugged aluminum body and light source adapter with black anodized finish.
  - PVC covered metal tubing protects the fiber bundle.
  - Manufactured in the USA.

## Typical Applications

- BGA (Ball Grid Array) inspection.
- Illuminating scratches on highly reflective surfaces.
- Water contamination inspection.

### Darkfield Ringlights

Part No.	Standard Exit	ID	OD	Working Distance	Bundle Length
A22780	X	4.03" (102)	5.25" (134)	0" - .25" 0"-6.35)	30" (762)

*\*Dimensions in ( ) are in mm*

RINGLIGHTS

# Darkfield Ringlight

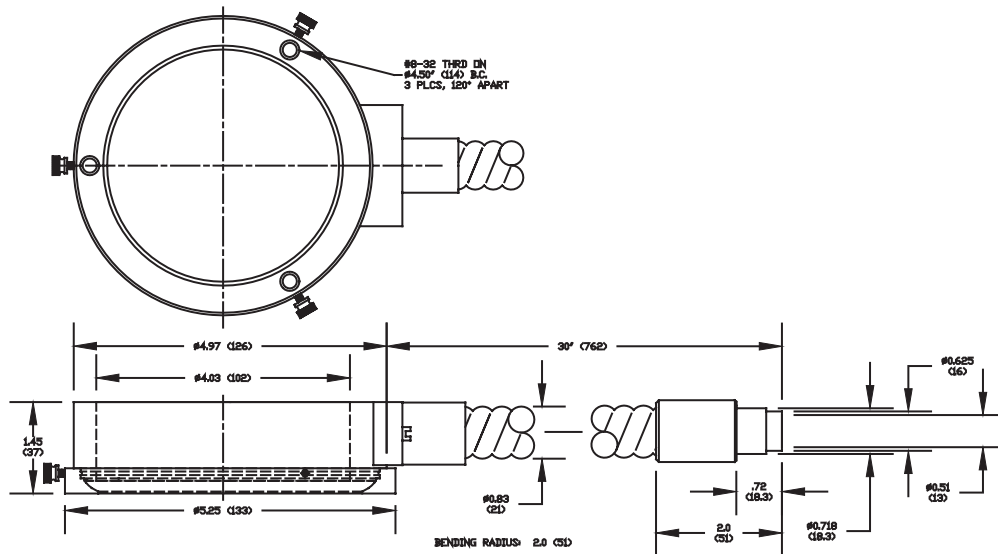
Dimensions in ( ) are in mm

**Ringlight Input:** Black Anodized Aluminum

**Bundle Sheathing:** PVC Covered Metal Tubing or Stainless Steel

**Warning:** This product is manufactured with glass fiber. Not for use in cable/hose carrier. Call SCHOTT to discuss moving cable/hose carrier applications.

## A22780 Darkfield Ringlight



TECHNICAL SPECIFICATIONS

Dimensions in ( ) are in mm

# SCHOTT