



66 mm Ringlight, A08625



ESD 66 mm Ringlight, A22025



Vertical Exit 66 mm Ringlight, A08680

## 66 mm Ringlights

*For intense, uniform, and shadow-free illumination.*

### Standard Features

- Ringlights fit 66 mm microscope and camera objectives. Also shown on this sheet is a tapered inner-body ringlight for the Nikon SMZ 645/600 microscope. See model number A22040<sup>^</sup>.
- Working distance is 1.5" to 6" (38 to 152).
- 33" (838) bundle length on all models.
- The ringlight body is made of rugged, black anodized aluminum and the fiber bundle is protected with flexible PVC covered metal tubing except the ESD (Electro Static Discharge) models.
- ESD ringlights are made conductive by replacing the black anodized finish with an irridited finish and the PVC metal tubing with stainless steel tubing. Each ringlight is checked for conductivity from inner body to light source adapter.
- Thumbscrew clamping/mounting system for precise positioning (except for model number A22040). Ringlights fit directly onto most microscope and camera objectives without adapters.
- Clamp rings for the Universal ringlights also fit the 66 mm ringlights for use with a different diameter objective microscope or with the Ringlight Holder. (See the Support Apparatus for Ringlights section of the catalog for more information.)
- Input fits all ColdVision light sources. Ringlights can be used with other manufacturer's continuous light sources. Adapters may be required.
- Use ringlights with our Dichroic color filters, diffusers, polarizer/analyzers and reflector rings for alternative lighting effects.
- Modified standard and custom ringlights are also available for all your unique requirements.
- Manufactured in the USA.

66 mm Ringlights						
Part No.	Standard Exit	Vertical Exit	ESD	Objective Diameter	Mounting System	Polarizer/Analyzer
A08625	X			66 mm	Thumbscrew	A08615*
A08680		X		66 mm	Thumbscrew	A08615*
A22025			X	66 mm	Thumbscrew	N/A
A22040 <sup>^</sup>		X		SMZ 645/660	Retaining Ring	A22042

\* If using the A08626 adapter, use A08627 polarizer/analyzer

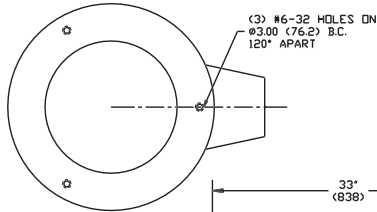
<sup>^</sup> The A22040 ringlight has a tapered ring diameter to use with the SMZ 645/660 microscope. A retaining ring is used for mounting instead of a thumbscrew.

# 66 mm Ringlights

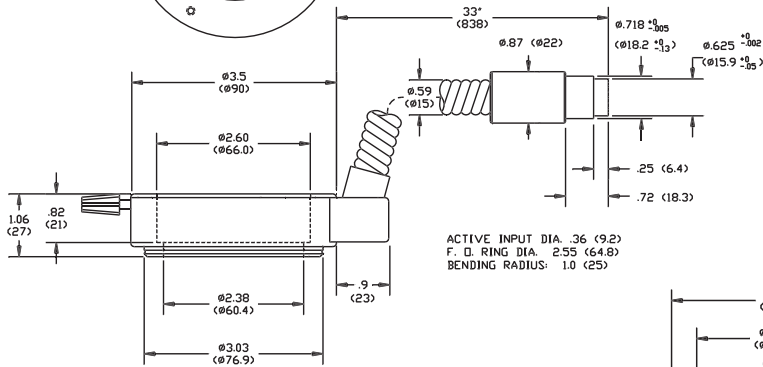
Dimensions in ( ) are in mm

- Ringlight Input:** Black Anodized Aluminum or Irridited Finish
- Bundle Sheathing:** PVC Covered Metal Tubing or Stainless Steel
- Working Distance:** 1.5" to 6" (38 to 152)

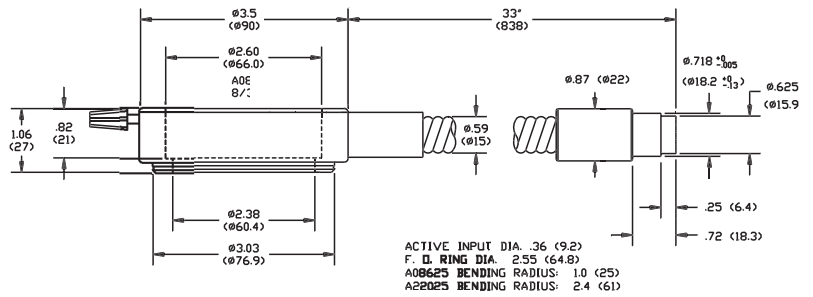
**Warning:** This product is manufactured with glass fiber. Not for use in cable/hose carrier. Call SCHOTT to discuss moving cable/hose carrier applications.



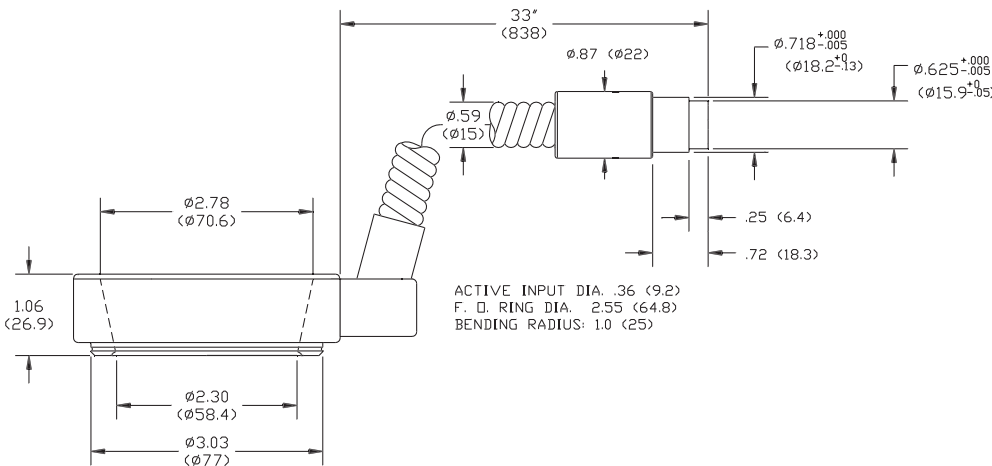
**Mounting Hole Locations for A08625, A22025 & A08680**



**A08680 - 66 mm Ringlight with Vertical Exit**



**A08625 & A22025 - 66 mm Ringlights**



**A22040 - Nikon SMZ 645/660 Ringlight with Vertical Exit and Retaining Ring**

TECHNICAL SPECIFICATIONS