



Mini Ringlight, A08650



Vertical Exit ESD Midi Ringlight, A22035

Midi and Mini Ringlights

For 19 to 53 mm Objective Diameters

SCHOTT ringlights emit intense, uniform, and shadow-free illumination for Machine Vision and Microscopy applications.

Midi Features

- Fit microscope and camera objectives from 38 to 53 mm.
- Working distance is 1.25" to 3.5" (32 to 89)*.

Mini Features

- Fit microscope and camera objectives from 19 to 32.5 mm.
- Working distance is .5" to 4" (13 to 102).
- ESD (Electro Static Discharge) ringlights are available. They are made conductive by replacing the black anodized finish with an irridited finish and the PVC metal tubing is replaced with stainless steel tubing. Each ringlight is checked for conductivity from inner body to light source adapter.

Midi & Mini Ringlight Features

- Thumbscrew mounting system for precise positioning. Ringlights fit directly on most microscope and camera objectives without adapters. For instances when adapters are necessary, see the Ringlight Accessories section of the catalog. To replace lost thumbscrews, use SCHOTT part number A29501.
- Vertical exit bundle option increases work space and prevents the bundle from interfering with surrounding objects.
- Use ringlights with our Dichroic color filters, diffusers, polarizer/analyzers and reflector rings for alternative lighting effects.
- Input fits all ColdVision light sources.
- The ringlight body is made of rugged, black anodized aluminum. The fiber bundle is protected with flexible PVC covered metal tubing on all ringlights except the ESD models, which have an irridited finish. Also, on the ESD ringlight the PVC metal tubing is replaced with stainless steel tubing.
- Modified standard and custom ringlights are also available for your unique requirements.

- Manufactured in the USA.

Midi Ringlights						
Part No.	Standard Exit	Vertical Exit	ESD	Working Distance	Bundle Length	Polarizer/Analyzer
A08630	X			1.25" - 3.5" (32 - 89)*	36" (914)	A08632
A08635		X		1.25" - 3.5" (32 - 89)	36" (914)	A08632
A22030			X	1.25" - 3.5" (32 - 89)	36" (914)	N/A
A22035		X	X	1.25" - 3.5" (32 - 89)	36" (914)	N/A
Mini Ringlights						
A08650	X			.5" - 1.5" (13 - 38)	40" (1016)	A08652
A08660^	X			1.5" - 4" ^ (38 - 102)	40" (1016)	A08652
A08670^		X		1.5" - 4" ^ (38 - 102)	40" (1016)	A08652

^ 29% more fiber than A08650 ringlight
*Dimensions in () are in mm

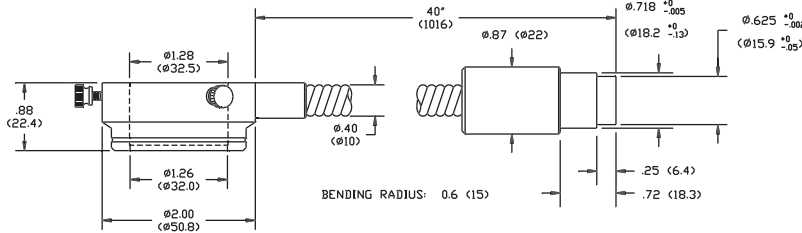
Midi and Mini Ringlights

Dimensions in () are in mm

Ringlight Input: Black Anodized Aluminum or Irridited Finish

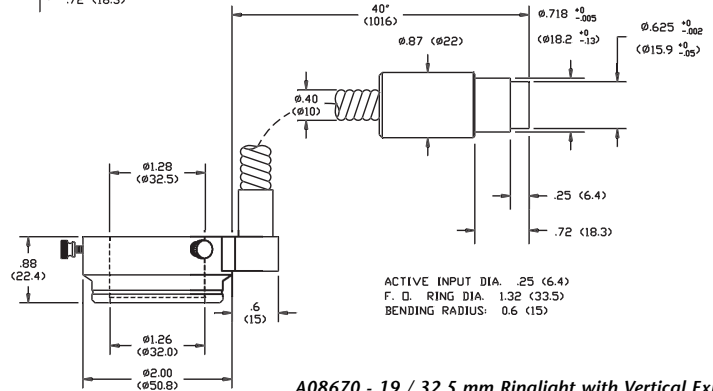
Bundle Sheathing: PVC Covered Metal Tubing or Stainless Steel

Warning: This product is manufactured with glass fiber. Not for use in cable/hose carrier. Call SCHOTT to discuss moving cable/hose carrier applications.

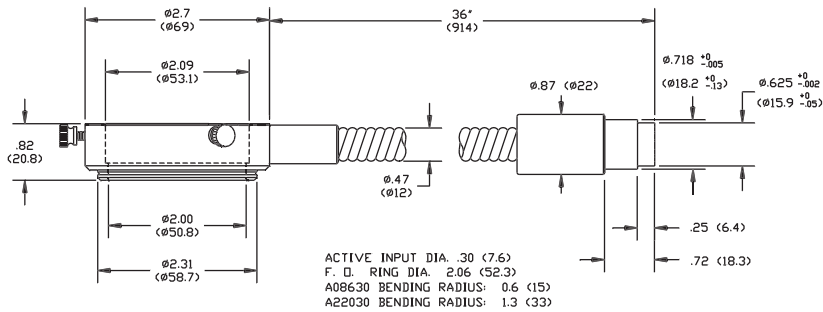


Note:
A08650 has an active fiber dia. of .22 (5.6) for a working distance of .5 to 1.5' (13 to 38mm).
A08660 has an active fiber dia. of .25 (6.4) for a working distance of 1.5 to 4' (38 to 102mm).
Both have F. D. ring dia. of 1.32 (33.5).

A08650 - A08660 - 19 / 32.5 mm Ringlights

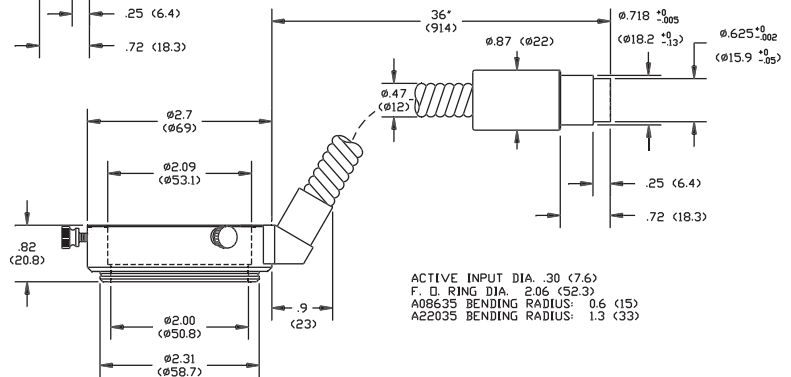


A08670 - 19 / 32.5 mm Ringlight with Vertical Exit



ACTIVE INPUT DIA. .30 (7.6)
F. D. RING DIA. 2.06 (52.3)
A08630 BENDING RADIUS: 0.6 (15)
A22030 BENDING RADIUS: 1.3 (33)

A08630 & A22030 - 38 / 53 mm Ringlights



ACTIVE INPUT DIA. .30 (7.6)
F. D. RING DIA. 2.06 (52.3)
A08635 BENDING RADIUS: 0.6 (15)
A22035 BENDING RADIUS: 1.3 (33)

A08635 & A22035 - 38 / 53 mm Ringlights with Vertical Exit

TECHNICAL SPECIFICATIONS