



Universal Ringlight, A08600



ESD Universal Ringlight, A22000



Vertical Exit Universal Ringlight, A08620

Universal Ringlights

For 33 to 81 mm Objective Diameters

SCHOTT ringlights emit intense, uniform, and shadow-free illumination for Machine Vision and Microscopy applications.

Standard Features

- Fit microscope and camera objectives from 33 to 81 mm depending on the model number. See chart below to select ringlight part number based on objective diameters.
- Working distance is 1.5" to 6" (38 to 152).
- 33" (838) bundle length on all models.
- The ringlight body is made of rugged, black anodized aluminum and the fiber bundle is protected with flexible PVC covered metal tubing except the ESD (Electro Static Discharge) models.
- ESD ringlights are made conductive by replacing the black anodized finish with an irridited finish and the PVC metal tubing with stainless steel tubing. Each ringlight is checked for conductivity from inner body to light source adapter.
- Unique clamping/mounting system for precise positioning. Most ringlights fit directly onto the microscope and camera objective without adapters. See Support Apparatus for Ringlights section of the product catalog for details.
- Input fits all ColdVision light sources. Ringlights can be used with other manufacturer's continuous light sources. Adapters may be required.
- Use ringlights with our Dichroic color filters, diffusers, polarizer/analyzers, and reflector rings for alternative lighting effects.
- Vertical exit bundle option increases work space and prevents the bundle from interfering with surrounding objects.
- Modified standard and custom ringlights are also available for your unique requirements.
- Manufactured in the USA.

Universal Ringlights						
Part No.	Standard Exit	Vertical Exit	ESD	Objective Diameter	Mounting System	Polarizer/ Analyzer
A08600	X			47 to 62 mm	Clamps	A08615
A08603	X			33 to 46 mm	Clamps	A08615
A08604	X			64 to 81 mm	Clamps	A08615
A08620		X		47 to 62 mm	Clamps	A08615
A22000			X	47 to 62 mm	Clamps	N/A

RINGLIGHTS



Universal Ringlights

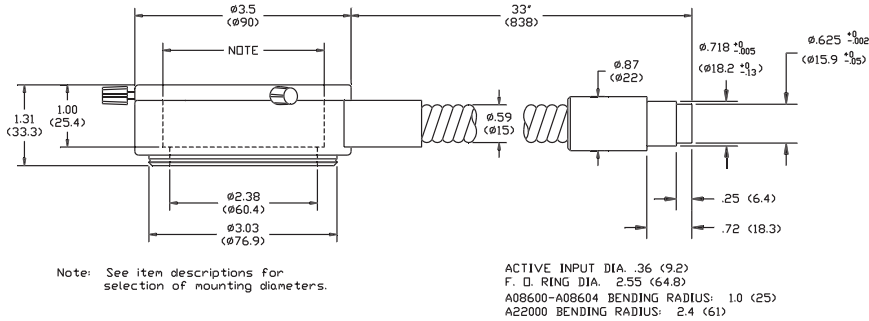
Dimensions in () are in mm

Ringlight Input: Black Anodized Aluminum or Iridited Finish

Bundle Sheathing: PVC Covered Metal Tubing or Stainless Steel

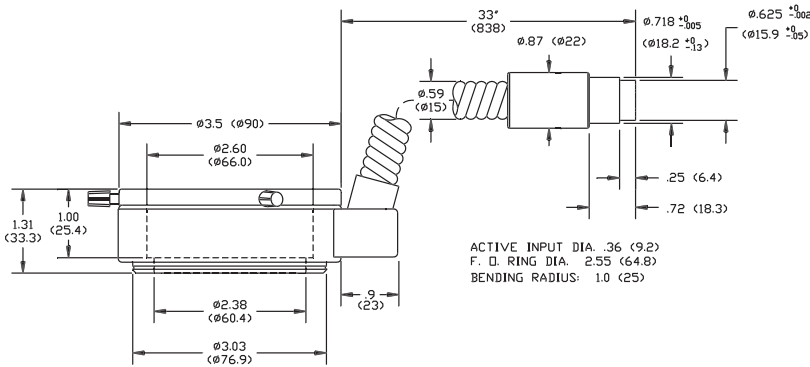
Working Distance: 1.5" to 6" (38 to 152)

Warning: This product is manufactured with glass fiber. Not for use in cable/hose carrier. Call SCHOTT to discuss moving cable/hose carrier applications.

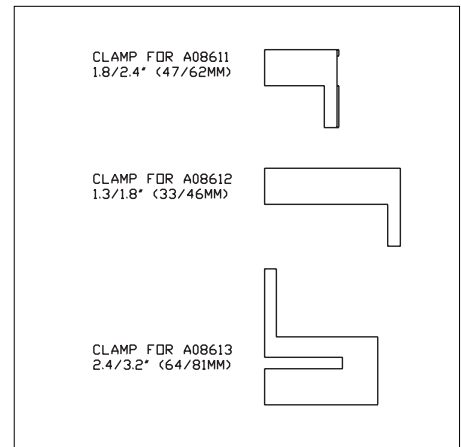


A08600 - A08604 & A22000 - 33 / 81 mm Ringlights

TECHNICAL SPECIFICATIONS



A08620 - 47 / 62 mm Ringlight with Vertical Exit



See Support Apparatus Section of the Product Catalog for more details on Ringlight Clamps