



Dimmer Lock, A29502, shown attached to an ACE® Light Source.



Baffle, A29504, shown attached to an ACE® Light Source.

# Dimmer Lock and Baffle

## Dimmer Lock

- Designed to prevent accidental adjustment of light source dimmer during operation.
- For use with DCR® series and ACE® series light sources.
- Manufactured in the USA.

## Baffle

- Blocks light emitting from the rear of the light source for people working at adjacent laboratory stations who could be disrupted by the light.
- For use with DCR® series and ACE® series light sources.
- Manufactured in the USA.

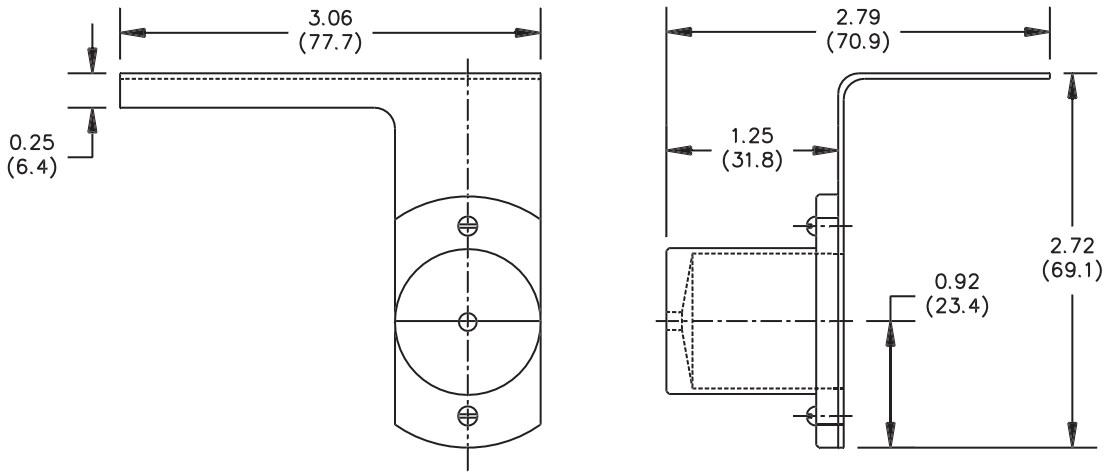
### Dimmer Lock and Baffle

Part No.	Description
A29502	Dimmer Lock
A29504	Baffle

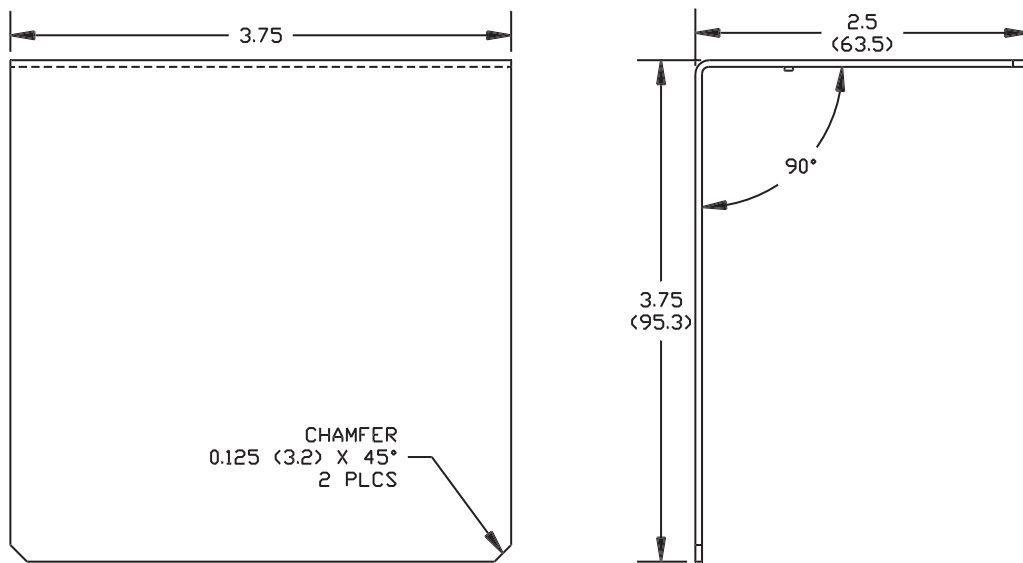
# Dimmer Lock and Baffle

Dimensions in ( ) are in mm

TECHNICAL SPECIFICATIONS



A29502 - Dimmer Lock



A29504 - Baffle