



MHR®-50 Light Source, A20900

MHR®-50 Light Source Models

Part No.	Description
A20900	MHR-50 with 50W Lamp
A20901	Replacement 50W Lamp

Benefits

- More light output than Halogen Lamps with similar lifetimes.
- Extremely high light output available at shorter lifetimes.
- Extremely high uniformity.

MHR®-50 Light Source

Compact metal halide regulated light source for applications that require bright, white light.

Standard Features

- Color temperature of 6000K.
- Twice the light output of DDL lamps.
- Bulb lifetime of 3500 hours average at 50W output.
- Metal halide lamp specifically designed with highest uniformity.
- Solid state dimmer control.
- Heavy duty, grounded metal housing.
- Universal input voltage - accepts 90 to 265 VAC.
- IR interference filter for cool illumination.
- Full illumination on .50 active diameter input.
- Soft start "lamp saver" circuitry.
- Built-in 9-pin connector for analog remote control.
- Built-in thermal shut down.
- Quiet rear exhaust.
- Infinite setting, thirteen blade iris diaphragm to reduce intensity while maintaining the color temperature.
- Stackable with retractable handle.
- Low housing temp - slightly above ambient.
- Detachable IEC cord.
- CSA approved to UL spec, CE compliant.
- 2-year warranty (excludes lamp and socket).
- Manufactured in the USA.

Power Supply Specifications

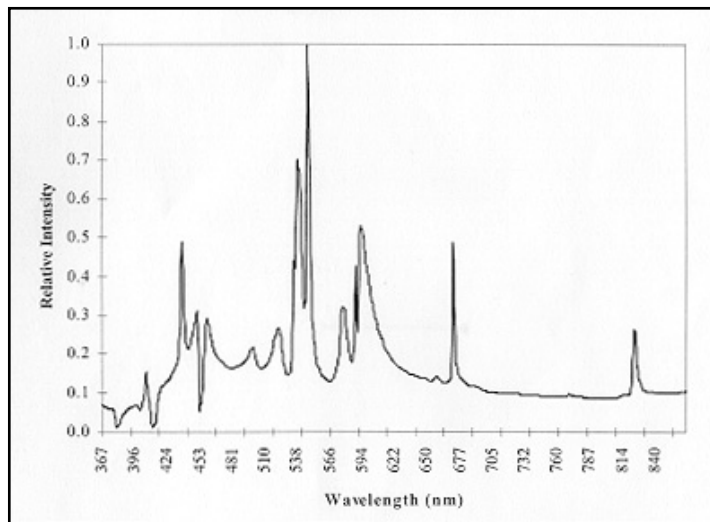
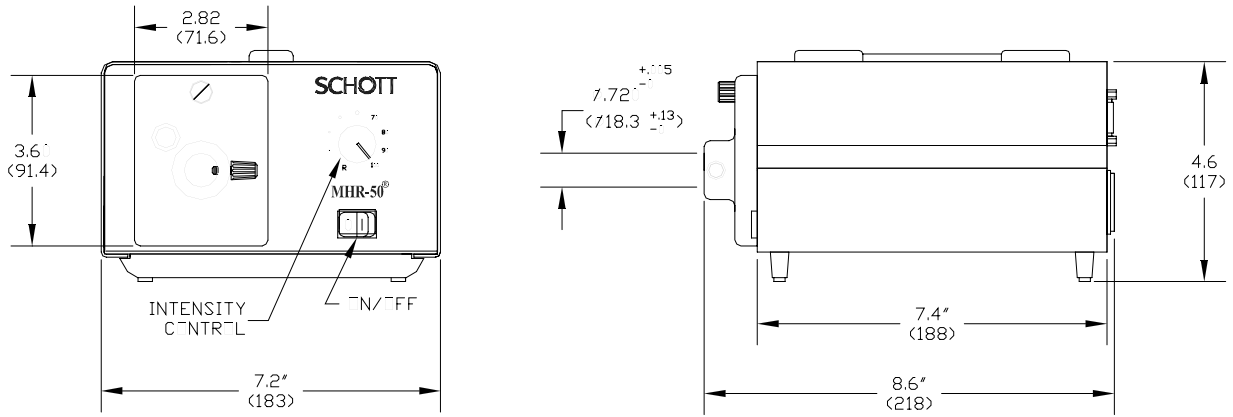
Rated Power Output	40 to 60 Watts
Output Current @ 50V	0.8A to 1.3A
Input Voltage Rating, 50/60 Hz.	90 to 265 VAC
Input Surge Current (cold start)	Less than 37A
Input Frequency	47 - 63 Hz
Hold-Up Time, nominal AC input, full load	500 ms
Efficiency, nominal AC line, full power	72 - 85% typ.
Temperature Range: Operating	0° to 45°C
Storage	-25° to 85°C
Relative Humidity, non-condensing	5% to 95%
Light intensity PARD (Periodic and Random Deviation) - Better than 80 dB down	
FCC & VDE - Class A EMI Filter	

SCHOTT

MHR®-50 Light Source

Dimensions in () are in mm

TECHNICAL SPECIFICATIONS



Lamp Output, without filters

SCHOTT