



DCR® III Light Source with EKE lamp, A20800

DCR® III Light Source Models

Part No.	Description
Standard Light Sources with US Power Cord Included	
A20800	with EKE Lamp
A20800.1	with EJA Lamp
A20800.2	with DDL Lamp
Light Sources with Iris Diaphragm and US Power Cord Included	
A20810	with EKE Lamp
A20810.1	with EJA Lamp
A20810.2	with DDL Lamp
Light Source without Modulamp® Unit and US Power Cord Included	
A20801	No Lamp – Power Supply Only
Standard Light Sources EU Version - No Power Cord Included	
A20820	with EKE Lamp
A20820.2	with DDL Lamp
Light Sources with Iris Diaphragm EU Version - No Power Cord Included	
A20830.2	with DDL Lamp

EKE, DDL, and EJA lamps and Modulamp® units can be purchased separately.

Options

- Rear baffle.
- Dimmer lock.
- Mechanical shutter.
- Wired, manual remote control and RS232 connection.
- Infinite setting, thirteen blade iris diaphragm version available to reduce intensity while maintaining color temperature.

DCR® III Light Source

DC regulated light source provides intense, cool illumination.

Standard Features

- DC-regulated light source limits light fluctuation to $\pm 0.5\%$ due to line voltage variation.
- Universal input voltage – accepts 90 to 265 VAC.
- Current limiting – protects the unit from over heating due to defective and aging bulbs.
- Transient protection – allows remote location of bulb.
- Lamp change indicator light – LED located on front panel changes from green to red when lamp should be replaced. This is due to either an open or partially shorted filament.
- Soft start “lamp saver” circuitry.
- IR interference filter for cool illumination.
- Solid state dimmer control for continuous dimming.
- Interchangeable Modulamp® Units offer 2 lamp positions to maximize individual lamp efficiencies.
- Choice of three, 150 watt halogen lamps - EJA, EKE and DDL for intense, uniform illumination.
- Can power the RS232 from the 9-pin connector.
- Built-in 9-pin connector for analog remote control or RS-232 connection.
- Detachable IEC cord.
- Quiet rear exhaust.
- CSA approved to UL spec, CE compliant.
- Stackable, with retractable handle.
- Low housing temp – slightly above ambient.
- 2-year warranty (excludes lamp and socket).
- Manufactured in the USA.

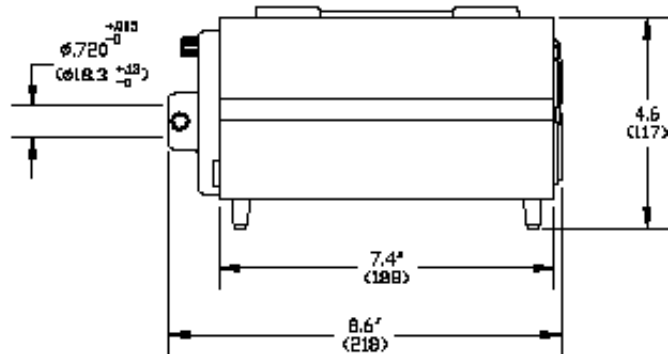
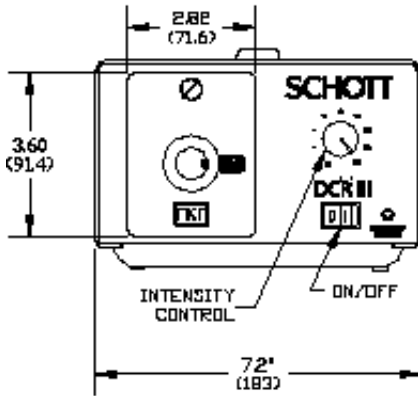
Power Supply Specifications

Rated Power Output	150 Watts
Output Voltage	0.0, 0.5 to 20.5 VDC
Input Voltage Rating, 50/60 Hz.	90 to 265 VAC
Power Factor Correction @ 230 VAC, 50 Hz.	> 0.99, < 4°
Hold-up Time, Nominal AC Input, Full Load	8.3 milliseconds
Line Regulation, Over Entire Input Range	$\pm 0.5\%$
Current Limit Set Point	8.5 Amps
Temperature Range: Operating	0° to 45°C
Storage	-25° to 85°C
Relative Humidity, Non-condensing	5% to 95%

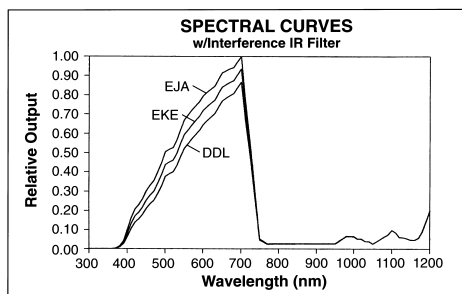
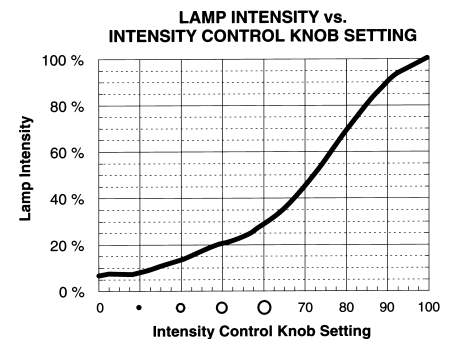
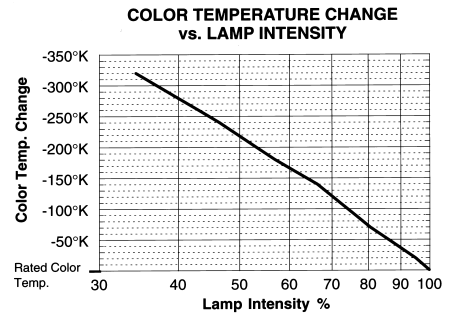
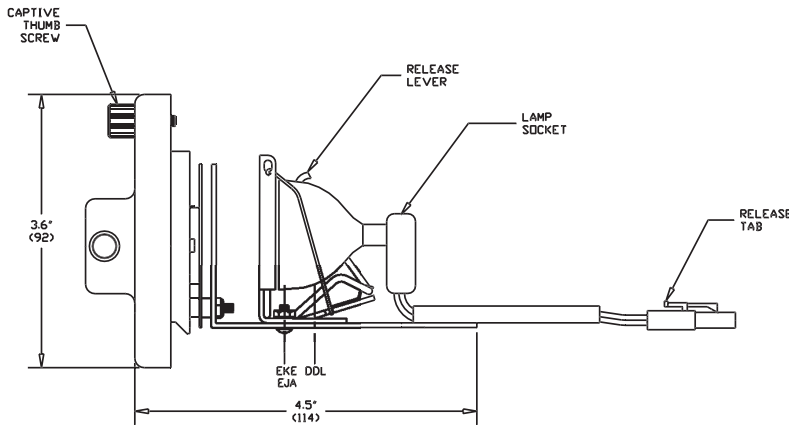
DCR® III Plus Light Source

Dimensions in () are in mm

TECHNICAL SPECIFICATIONS



Input: 115/230 VAC – 50/60 Hz, Output: 0–20.5 VDC



Modulamp®... SCHOTT Innovation! Two positions optimize light intensity output, depending on the lamp in use. Entire housing is interchangeable for quick setup.

Choice of Lamps.. SCHOTT Versatility! Three different bulbs (EJA, EKE, DDL) offer light intensity and color temperature options to maximize productivity and accuracy.

Note: If the intensity control knob is turned to the R (Remote) position, lamp intensity control is switched to the rear 9-pin connector. Front panel intensity control will always override the remote intensity control.

SCHOTT