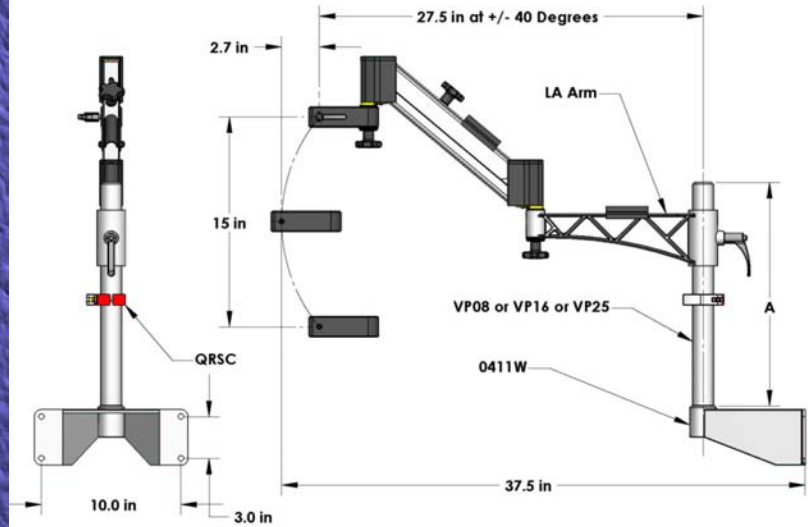
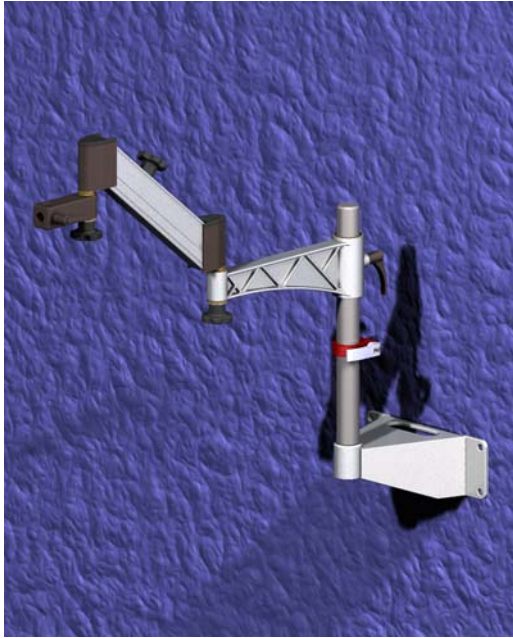


# WALL MOUNT STANDS

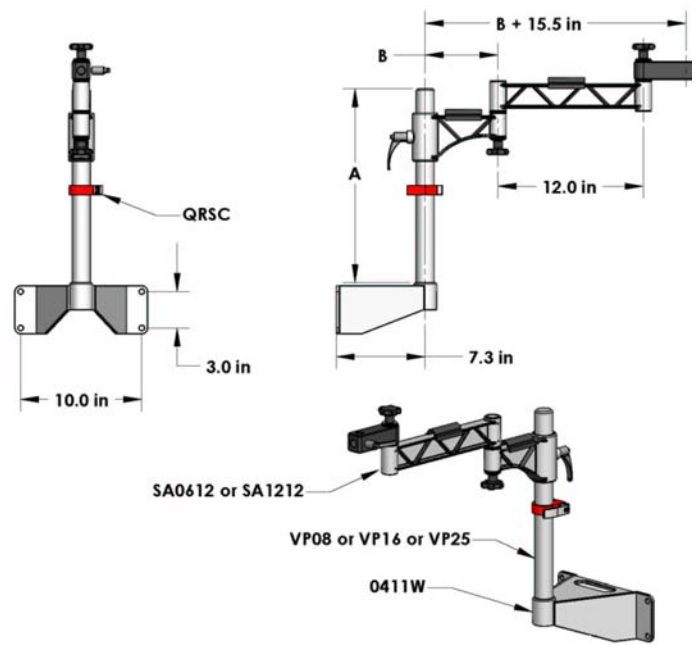
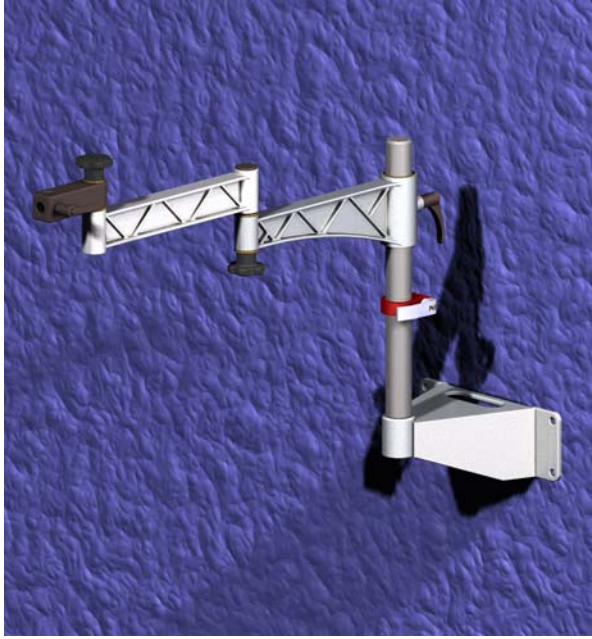


## Lift Articulating Arm with Wall Mount Components

- 0411W Steel Wall mount, 4" x 10" spaced mounting holes. Presents a large stable surface for mounting to a vertical surface.  
**\*\*Wall Mount Adapters for mounting to 16" on center studs are available upon request\*\***
- VP08 1 1/2" diameter x 8" long stainless steel vertical post drilled to accept 1/2-13 UNC bolt.
- LA Lift Articulating Boom Arm, approx. 30" maximum horizontal reach, approx. 15" vertical travel, ± 40° movement from horizontal, adjustable gas spring counter balance allows "free floating" of 0 – 20 lbs. Ambidextrous vertical position lock. Gas spring provides controlled "safe" lift and decent. Accepts the industry standard 5/8" "Bonder Pin" mounted end on, above or below the bar.
- QRSC Red anodized aluminum safety clamp featuring a clear anodized aluminum quick release handle incorporating all stainless steel and brass hardware.

Assembly Number	A* (in)	Stand Specific Components
OS0411W-08LA	08	VP08, 0411W, LA, QRSC
* Custom length vertical posts available upon request.		

# WALL MOUNT STANDS



## Swing Arm with Wall Mount Components

- 0411W Steel Wall mount, 3" x 10" spaced mounting holes. Presents a large stable surface for mounting to a vertical surface.  
\*\* Wall Mount Adapters for mounting to 16" on center studs are available upon request \*\*
- VP08 1 1/2" diameter x 08" long stainless steel vertical post drilled to accept 1/2-13 UNC bolt.
- SA0612 Swing Boom Arm, approx. 21.5" maximum horizontal extension, measured from center to center of the vertical post to the "bonder pin" mount. This arm allows the arm to be swing at four pivot points. Features cast aluminum dual I-beam construction. Each pivot point maybe locked individually. Accepts the industry standard 5/8" "Bonder Pin" mounted end on, above or below the bar.
- SA1212 Swing Boom Arm, approx. 27.5" maximum horizontal extension, measured from center to center of the vertical post to the "bonder pin" mount. This arm allows the arm to be swing at four pivot points. Each pivot point maybe locked individually. Accepts the industry standard 5/8" "Bonder Pin" mounted end on, above or below the bar.
- QRSC Red anodized aluminum safety clamp featuring a clear anodized aluminum quick release handle incorporating all stainless steel and brass hardware.

Assembly Number	A* (in)	B (in)	Maximum Extension (in)	Stand Specific Components	Common Components
OS0411W-08SA0612	8	6	21.5	SA0612	VP08 0311W
OS0411WC-08SA1212	8	12	27.5	SA1212	QRSC
* Custom length vertical posts available upon request.					