

TABLE MOUNT STANDS

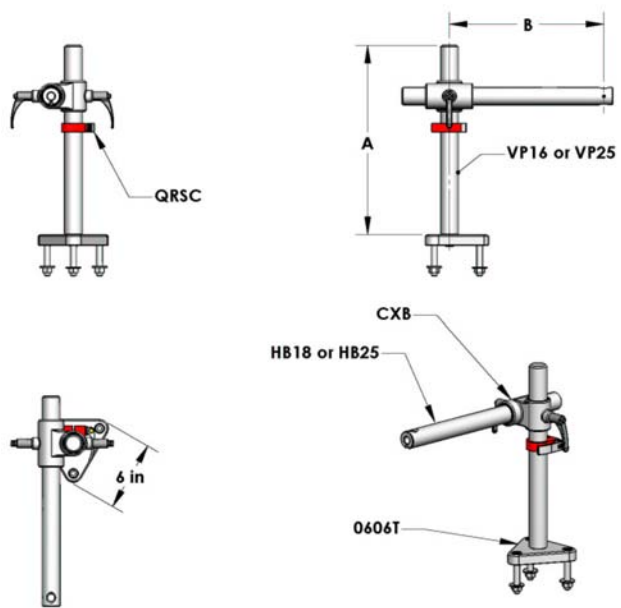
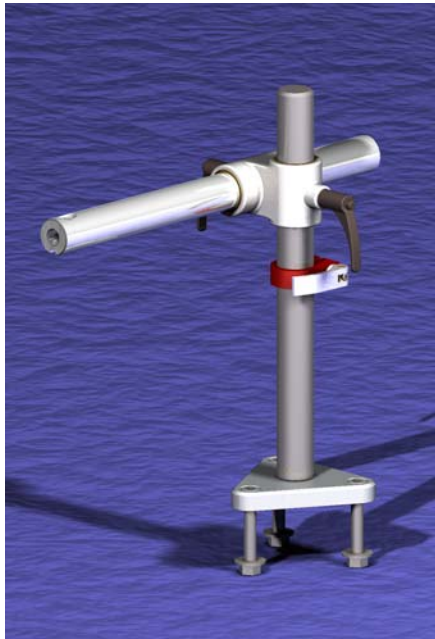
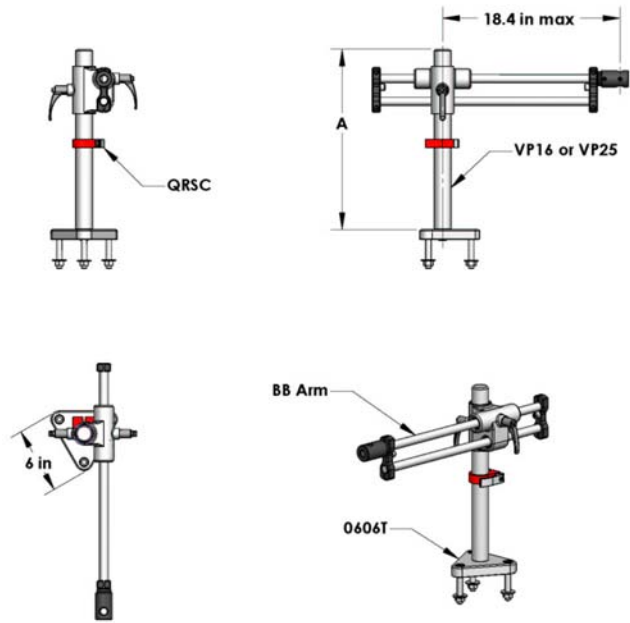
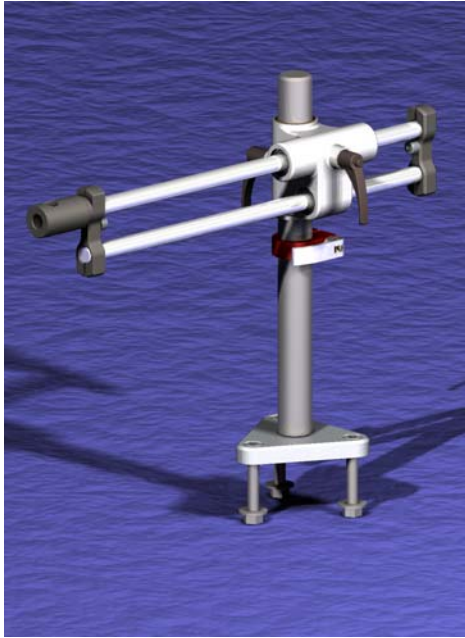


Table Mount Stand Components

- 0606T 6" face triangular aluminum base for mounting to a table top. Includes three (3) 3" long 1/2-13 UNC bolts, nuts, washers.
- VP16 1 1/2" diameter x 16" long stainless steel vertical post drilled to accept 1/2-13 UNC bolt.
- VP25 1 1/2" diameter x 25" long stainless steel vertical post drilled to accept 1/2-13 UNC bolt.
- HB18 1 1/2" diameter x 18" long keyed anodized aluminum horizontal bar with industry standard 5/8" "Bonder Pin" hole for end on, above or below mounting.
- HB25 1 1/2" diameter x 25" long keyed anodized aluminum horizontal bar with industry standard 5/8" "Bonder Pin" hole for end on, above or below mounting.
- QRSC Red anodized aluminum safety clamp featuring a clear anodized aluminum quick release handle incorporating all stainless steel and brass hardware.
- CXB Cast aluminum, powder coated cross block with bronze bushings and adjustable handles.

Assembly Number	A* (in)	B (in)	Stand Specific Components	Common Components
OS0606T-1618	16	14.75	VP16, HB18	0606T, QRSC, CXB
OS0606T-1625	16	21.75	VP16, HB25	
OS0606T-2518	25	14.75	VP25, HB18	0606T, QRSC, CXB
OS0606T-2525	25	21.75	VP25, HB25	
* Custom length vertical posts available upon request.				

TABLE MOUNT STANDS

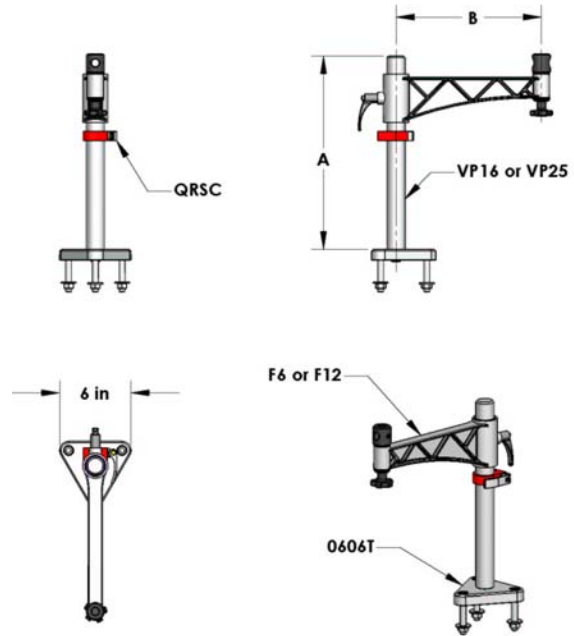
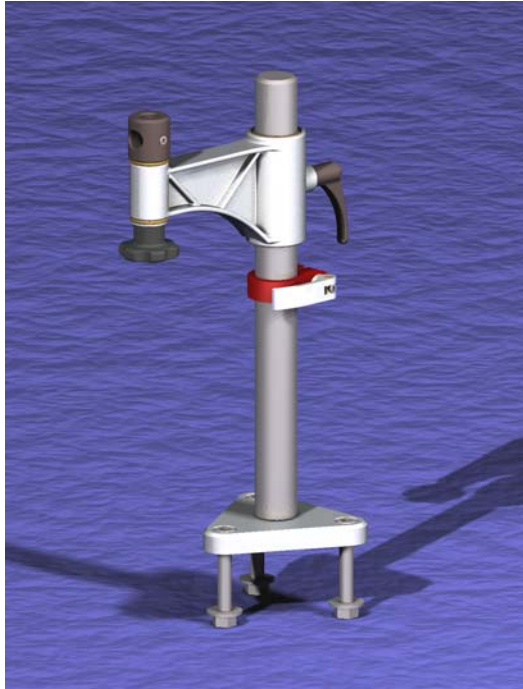


Ball Bearing Arm Table Mount Stand Components

- 0606T** 6" face triangular aluminum base for mounting to a table top. Includes three (3) 3" x 1/2 -13 UNC bolts, nuts, washers.
- VP16** 1 1/2" diameter x 16" long stainless steel vertical post with a 1/2-13 UNC mounting bolt.
- VP25** 1 1/2" diameter x 25" long stainless steel vertical post with a 1/2-13 UNC mounting bolt.
- BB** Cast aluminum, powder coated cross block featuring bronze bushings for the vertical axis and Thomson® linear ball bearings and dual hardened stainless steel shafting for the horizontal axis. Includes industry standard 5/8" "Bonder Pin" hole for end on, above or below mounting. Total horizontal motion 12 1/2".
- QRSC** Red anodized aluminum safety clamp featuring a clear anodized aluminum quick release handle incorporating all stainless steel and brass hardware.

Assembly Number	A* (in)	Stand Specific Components	Common Components
OS0606T-16BB	16	VP16	0606T
OS0606T-25BB	25	VP25	BB
			QRSC
* Custom length vertical posts available upon request.			

TABLE MOUNT STANDS



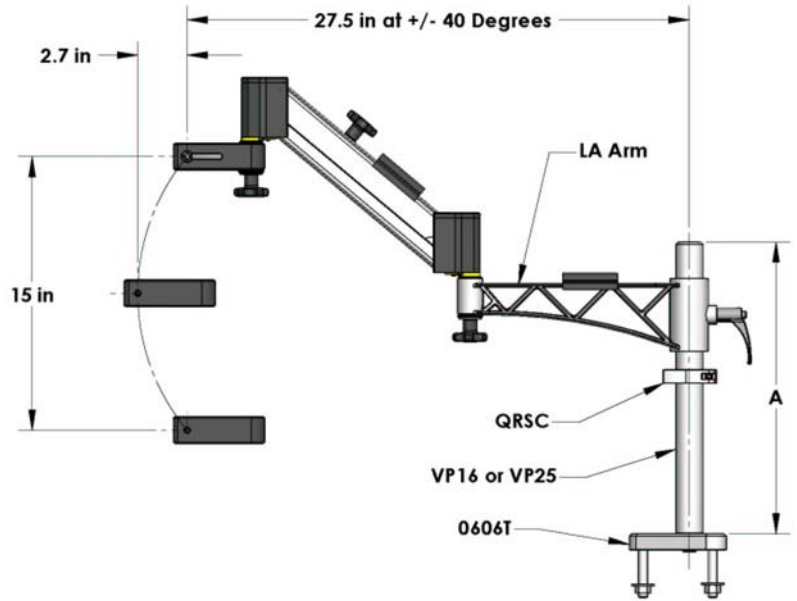
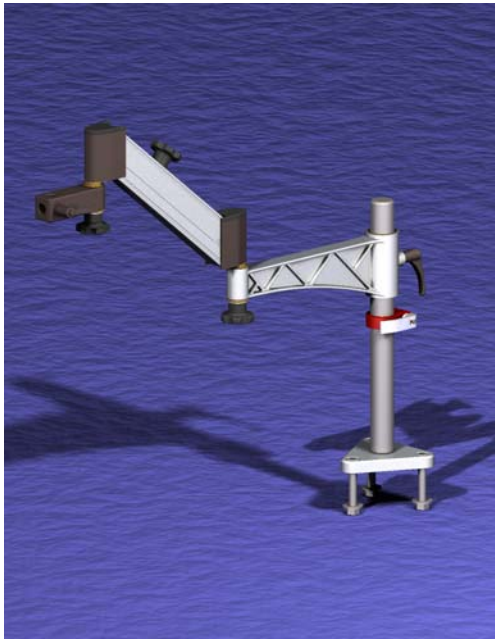
Fixed Arm Table Mount Stand Components

- 0606T 6" face triangular aluminum base for mounting to a table top. Includes three (3) 3" x 1/2-13 UNC bolts, nuts, washers.
- VP16 1 1/2" diameter x 16" long stainless steel vertical post drilled to accept 1/2-13 UNC bolt.
- VP25 1 1/2" diameter x 25" long stainless steel vertical post drilled to accept 1/2-13 UNC bolt.
- F6 6" reach Cast aluminum fixed distance boom. Allows rotation of "Bonder Pin" mounting holes to rotate around a vertical axis. Accepts the industry standard 5/8" "Bonder Pin" mounted end on, above or below the bar.
- F12 12" reach Cast aluminum fixed distance boom. Allows rotation of "Bonder Pin" mounting holes to rotate around a vertical axis. Accepts the industry standard 5/8" "Bonder Pin" mounted end on, above or below the bar.
- QRSC Red anodized aluminum safety clamp featuring a clear anodized aluminum quick release handle incorporating all stainless steel and brass hardware.

Assembly Number	A* (in)	B (in)	Stand Specific Components	Common Components
OS0606T-16F6	16	6	F6	0606T
OS0606T-16F12		12	F12	VP16 QRSC
OS0606T-25F6	25	6	F6	0606T
OS0606T-25F12		12	F12	VP25 QRSC
* Custom length vertical posts available upon request.				



TABLE MOUNT STANDS



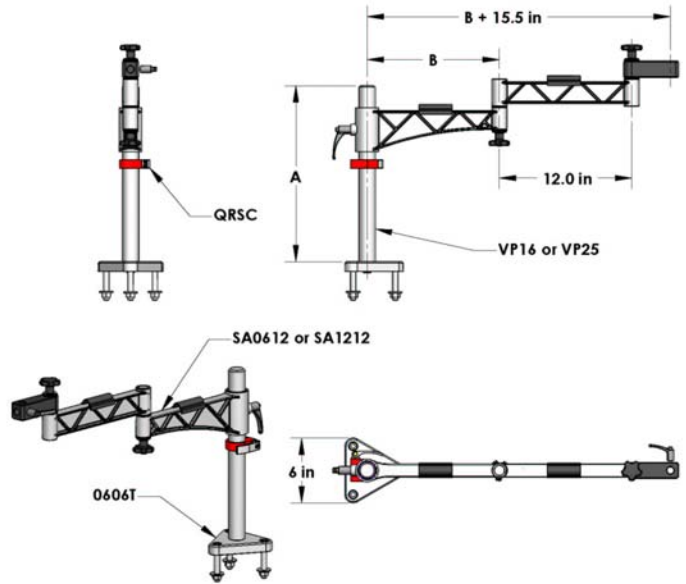
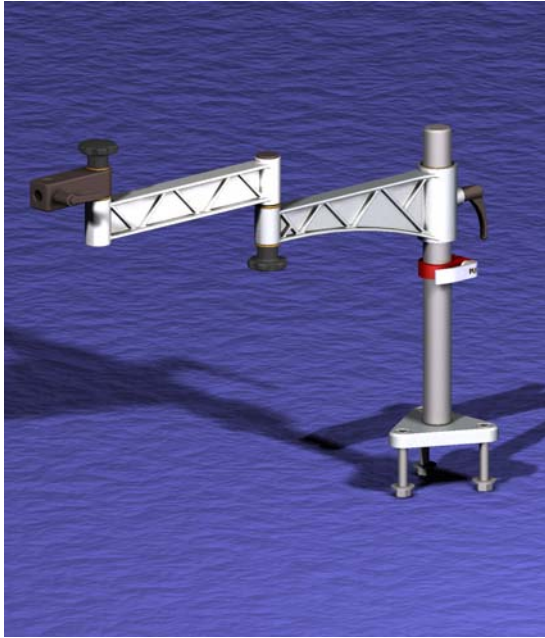
Lift Articulating Table Mount Stand Components

- 0606T 6" face triangular aluminum base for mounting to a table top. Includes three (3) 3" x 1/2-13 UNC bolts, nuts, washers.
- VP16 1 1/2" diameter x 16" long stainless steel vertical post drilled to accept 1/2-13 UNC bolt.
- VP25 1 1/2" diameter x 25" long stainless steel vertical post drilled to accept 1/2-13 UNC bolt.
- LA Lift Articulating Boom Arm, approx. 30" maximum horizontal reach, approx. 15" vertical travel, ± 40° movement from horizontal, adjustable gas spring counter balance allows "free floating" of 0 – 20 lbs. Ambidextrous vertical position lock. Gas spring provides controlled "safe" lift and decent. Accepts the industry standard 5/8" "Bonder Pin" mounted end on, above or below the bar.
- QRSC Red anodized aluminum safety clamp featuring a clear anodized aluminum quick release handle incorporating all stainless steel and brass hardware.

Assembly Number	A* (in)	Stand Specific Components	Common Components
OS0606T-16LA	16	VP16	0606T LA QRSC
OS0606T-25LA	25	VP25	
* Custom length vertical posts available upon request.			



TABLE MOUNT STANDS



Swing Arm Table Mount Stand Components

- 0606T 6" face triangular aluminum base for mounting to a table top. Includes three (3) 3" x 1/2 -13 UNC bolts, nuts, washers.
- VP16 1 1/2" diameter x 16" long stainless steel vertical post drilled to accept 1/2-13 UNC bolt.
- VP25 1 1/2" diameter x 25" long stainless steel vertical post drilled to accept 1/2-13 UNC bolt.
- SA0612 Swing Boom Arm, approx. 21.5" maximum horizontal extension, measured from center to center of the vertical post to the "bonder pin" mount. This arm allows the arm to be swing at four pivot points. Each pivot point maybe locked individually. Accepts the industry standard 5/8" "Bonder Pin" mounted end on, above or below the bar.
- SA1212 Swing Boom Arm, approx. 27.5" maximum horizontal extension, measured from center to center of the vertical post to the "bonder pin" mount. This arm allows the arm to be swing at four pivot points. Each pivot point maybe locked individually. Accepts the industry standard 5/8" "Bonder Pin" mounted end on, above or below the bar.
- QRSC Red anodized aluminum safety clamp featuring a clear anodized aluminum quick release handle incorporating all stainless steel and brass hardware.

Assembly Number	A* (in)	B (in)	Stand Specific Components	Common Components
OS0606T-16SA0612	16	6	VP16, SA0612	0606T
OS0606T-16SA1212		12	VP25, SA1212	QRSC
OS0606T-25SA0612	25	6	VP16, SA0612	0606T
OS0606T-25SA1212		12	VP25, SA1212	QRSC
* Custom length vertical posts available upon request.				

