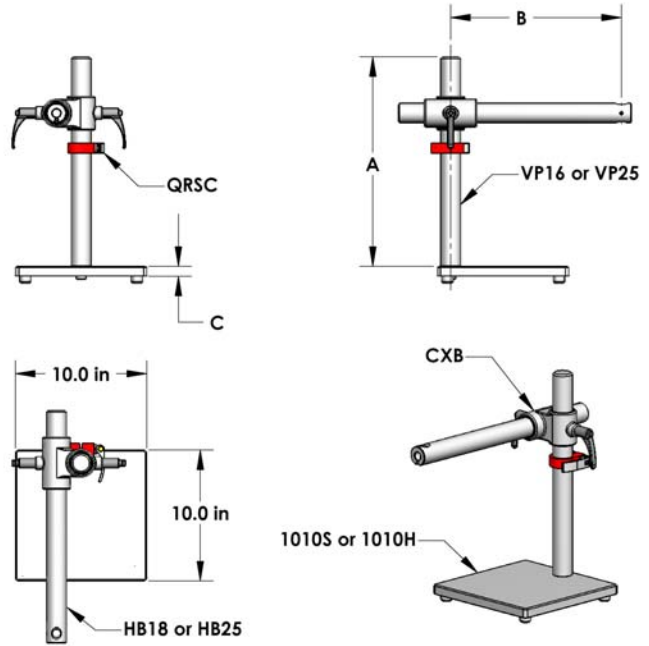
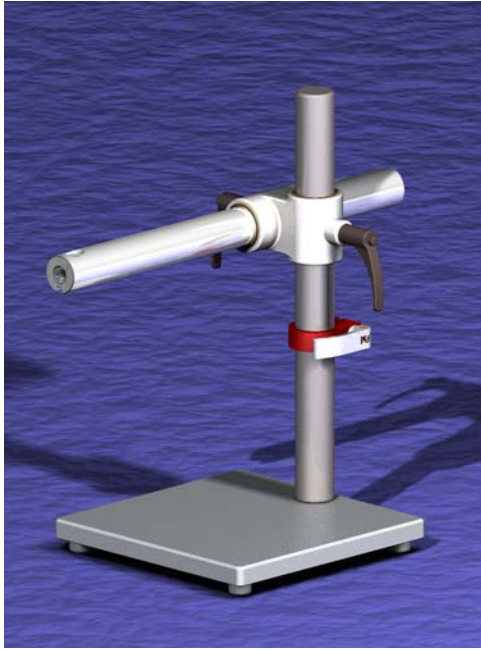


# STANDARD & HEAVY STANDS



## Standard Stand Components

- 1010S 10" x 10" x 3/4" powder coated steel base with four rubber feet, 21 lbs.
- 1010H 10" x 10" x 1 1/4" powder coated steel base with four rubber feet, 35 lbs.
- VP16 1 1/2" diameter x 16" long stainless steel vertical post drilled to accept 1/2-13 UNC bolt.
- VP25 1 1/2" diameter x 25" long stainless steel vertical post drilled to accept 1/2-13 UNC bolt.
- HB18 1 1/2" diameter x 18" long keyed anodized aluminum horizontal bar with industry standard 5/8" "Bonder Pin" hole for end on, above or below mounting.
- HB25 1 1/2" diameter x 25" long keyed anodized aluminum horizontal bar with industry standard 5/8" "Bonder Pin" hole for end on, above or below mounting.
- QRSC Red anodized aluminum safety clamp featuring a clear anodized aluminum quick release handle incorporating all stainless steel and brass hardware.
- CXB Cast aluminum, powder coated cross block with bronze bushings and one brass tipped and one plastic tipped adjustable handle.

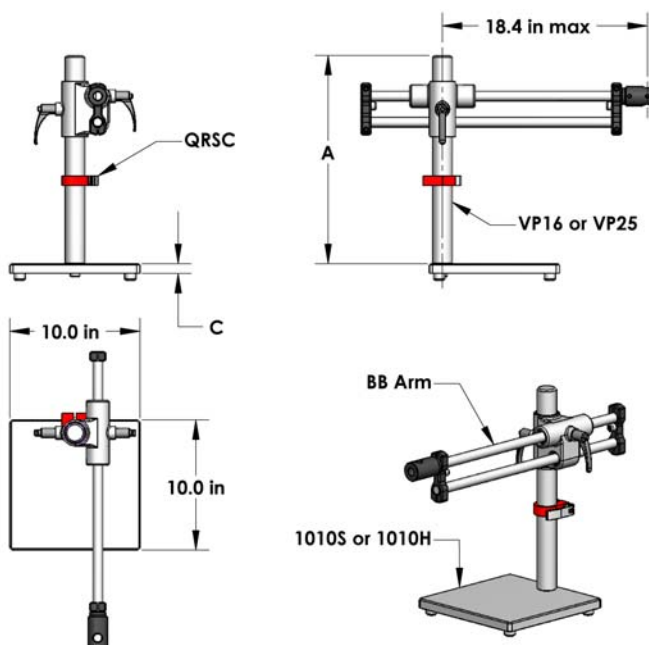
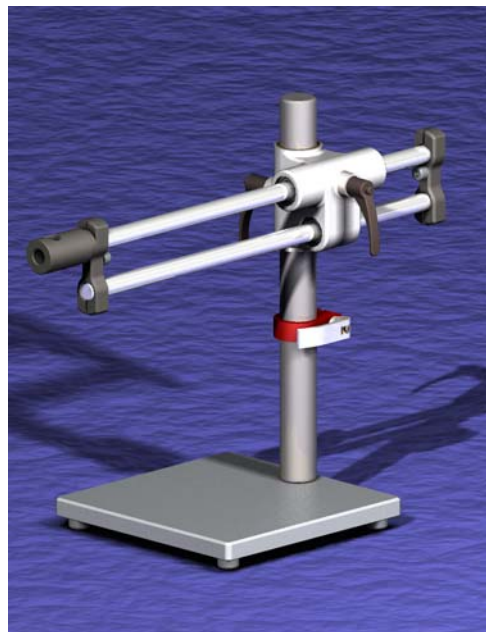
Assembly Number	A* (in)	B (in)	C (in)	Stand Specific Components	Common Components
OS1010S-1618	16	14.75	3/4	VP16, HB18	1010S CXB QRSC
OS1010S-2518	25	14.75	3/4	VP25, HB18	
OS1010S-1625	16	21.75	3/4	VP16, HB25	
OS1010S-2525	25	21.75	3/4	VP25, HB25	
OS1010H-1618	16	14.75	1 1/4	VP16, HB18	1010H CXB QRSC
OS1010H-2518	25	14.75	1 1/4	VP25, HB18	
OS1010H-1625	16	21.75	1 1/4	VP16, HB25	
OS1010H-2525	25	21.75	1 1/4	VP25, HB25	

\* Custom length vertical posts available upon request.



OLD SCHOOL INDUSTRIES, INC.

# STANDARD & HEAVY STANDS

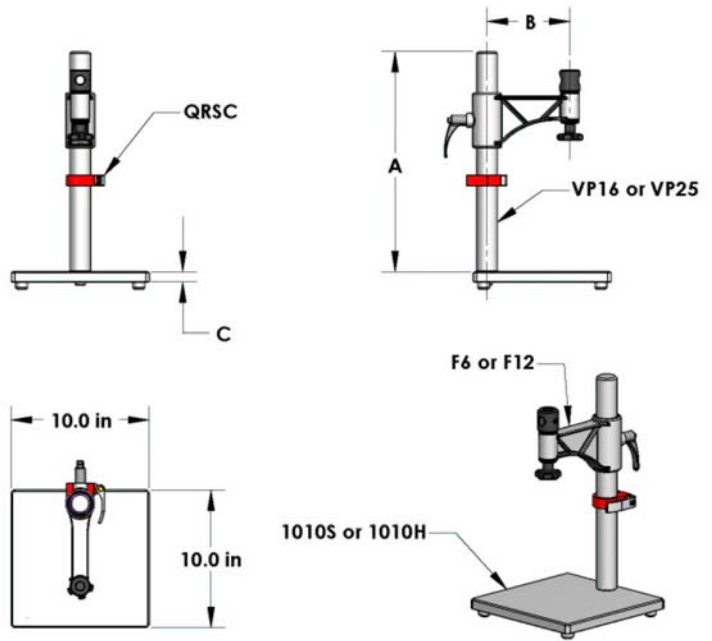
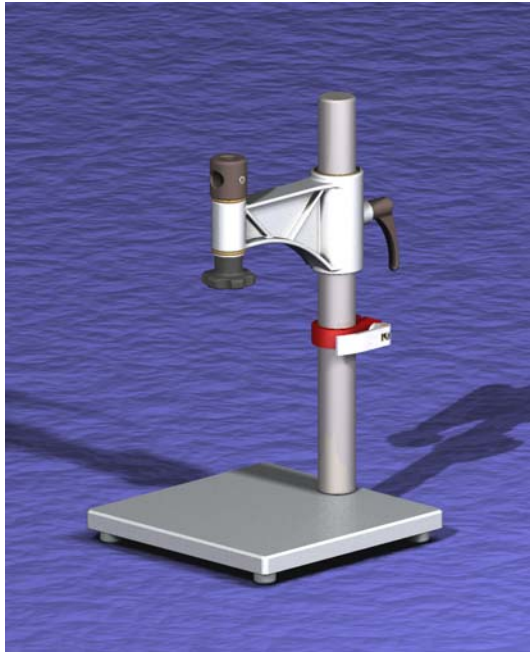


## Ball Bearing Stand Components

- 1010S 10" x 10" x 3/4" powder coated steel base with four rubber feet, 21 lbs.
- 1010H 10" x 10" x 1 1/4" powder coated steel base with four rubber feet, 35 lbs.
- VP16 1 1/2" diameter x 16" long stainless steel vertical post drilled to accept 1/2-13 UNC bolt.
- VP25 1 1/2" diameter x 25" long stainless steel vertical post drilled to accept 1/2-13 UNC bolt.
- BB Cast aluminum, powder coated cross block featuring bronze bushings for the vertical axis and Thomson® linear ball bearings and dual hardened stainless steel shafting for the horizontal axis. Includes industry standard 5/8" "Bonder Pin" hole for end on, above or below mounting. Total horizontal motion 12 1/2".
- QRSC Red anodized aluminum safety clamp featuring a clear anodized aluminum quick release handle incorporating all stainless steel and brass hardware.

Assembly Number	A* (in)	B (in)	Stand Specific Components	Common Components
OS1010S-16BB	16	3/4	VP16	1010S BB QRSC
OS1010S-25BB	25	3/4	VP25	
OS1010H-16BB	16	1 1/4	VP16	1010H BB QRSC
OS1010H-25BB	25	1 1/4	VP25	
* Custom length vertical posts available upon request.				

# STANDARD & HEAVY STANDS



## Fixed Arm Stand Components

- 1010S 10" x 10" x 3/4" powder coated steel base with four rubber feet, 21 lbs.
- 1010H 10" x 10" x 1 1/4" powder coated steel base with four rubber feet, 35 lbs.
- VP16 1 1/2" diameter x 16" long stainless steel vertical post drilled to accept 1/2-13 UNC bolt.
- VP25 1 1/2" diameter x 25" long stainless steel vertical post drilled to accept 1/2-13 UNC bolt.
- F6 6" reach Cast aluminum fixed distance boom. Allows rotation of "Bonder Pin" mounting holes to rotate around a vertical axis. Accepts the industry standard 5/8" "Bonder Pin" mounted end on, above or below the bar.
- F12 12" reach Cast aluminum fixed distance boom. Allows rotation of "Bonder Pin" mounting holes to rotate around a vertical axis. Accepts the industry standard 5/8" "Bonder Pin" mounted end on, above or below the bar.
- QRSC Red anodized aluminum safety clamp featuring a clear anodized aluminum quick release handle incorporating all stainless steel and brass hardware.

Assembly Number	A* (in)	B (in)	C (in)	Stand Specific Components	Common Components
OS1010S-16F6	16	6	3/4	F6	1010S VP16 QRSC
OS1010S-16F12		12		F12	
OS1010S-25F6	25	6	3/4	F6	1010S VP25 QRSC
OS1010S-25F12		12		F12	
OS1010H-16F6	16	6	1 1/4	F6	1010H VP16 QRSC
OS1010H-16F12		12		F12	
OS1010H-25F6	25	6	1 1/4	F6	1010H VP25 QRSC
OS1010H-25F12		12		F12	

\* Custom length vertical posts available upon request.



OLD SCHOOL INDUSTRIES, INC.