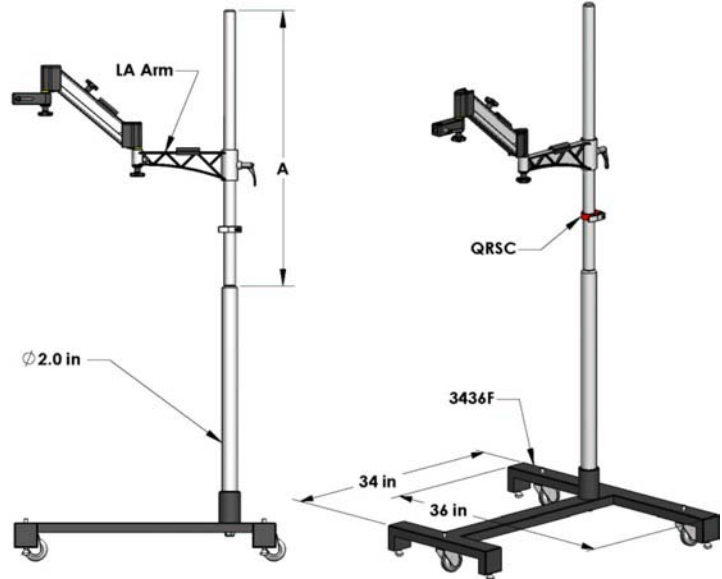
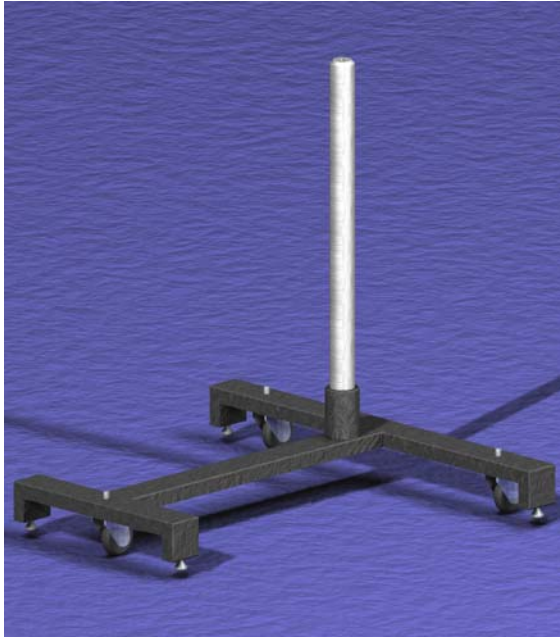


# FLOOR BASE



## Floor Base

- 3436F Heavy Duty Steel Floor Stand, 34" x 36" external dimensions, with 36" x 2" diameter riser post. Vertical post accepts standard, ball bearing, fixed boom vertical poles and horizontal arm assemblies.
- B3618 36" Vertical post, Cross block, 18" Horizontal bar, Quick release safety clamp.
- B3625 36" Vertical post, Cross block, 25" Horizontal bar, Quick release safety clamp.
- B36F6 36" Vertical post, 6" Fixed boom arm, Quick release safety clamp.
- B36F12 36" Vertical post, 12" Fixed boom arm, Quick release safety clamp.
- B36BB 36" Vertical post, Ball bearing boom arm and cross block, Quick release safety clamp.
- B36LA 36" Vertical post, Lift Articulating boom arm, Quick release safety clamp.
- B36SA0612 36" Vertical post, 18" Swing boom arm, Quick release safety clamp.
- B36SA1212 36" Vertical post, 24" Swing boom arm, Quick release safety clamp.

Part Number	A	Stand Specific Components	Common Components
OS3436F-**18	** Customer specified length, commonly supplied length 36"	CXB, HB18	3436F VP** QRSC
OS3436F-**25		CXB, HB25	
OS3436F-**BB		BB	
OS3436F-**F6		F6	
OS3436F-**F12		F12	
OS3436F-**LA		LA	
OS3436F-**SA0612		SA0612	
OS3436F-**SA1212		SA1212	