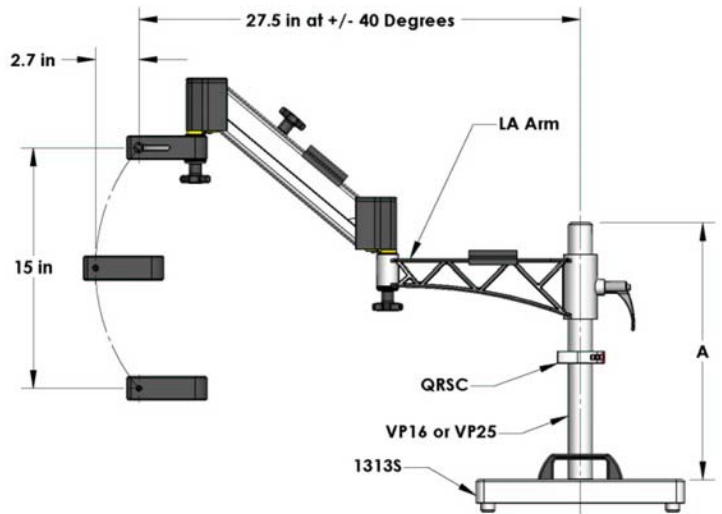
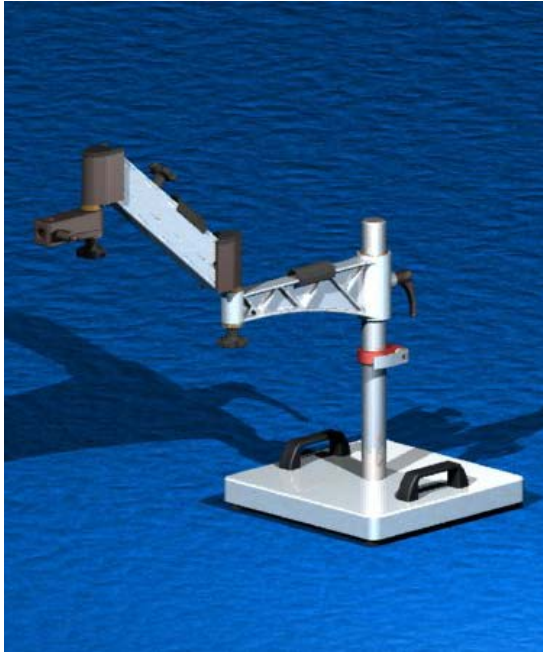


DELUXE HEAVY LIFT ARM STAND



Heavy Lift Articulating Stand Components

- 1313S 13" x 13" x 1 1/2" powder coated steel base with four rubber feet, carrying handles, 78 lbs.
- VP16 1 1/2" diameter x 16" long stainless steel vertical post drilled to accept 1/2-13 UNC bolt.
- VP25 1 1/2" diameter x 25" long stainless steel vertical post drilled to accept 1/2-13 UNC bolt.
- LA Lift Articulating Boom Arm, approx. 30" maximum horizontal reach, approx. 15" vertical travel, ± 40° movement from horizontal, adjustable gas spring counter balance allows "free floating" of 0 – 20 lbs. Ambidextrous vertical position lock. Gas spring provides controlled "safe" lift and decent. Accepts the industry standard 5/8" "Bonder Pin" mounted end on, above or below the bar.
- QRSC Red anodized aluminum safety clamp featuring a clear anodized aluminum quick release handle incorporating all stainless steel and brass hardware.

Assembly Number	A* (in)	Stand Specific Components	Common Components
OS1313S-16LA	16	VP16	1313S LA
OS1313S-25LA	25	VP25	QRSC
* Custom length vertical posts available upon request.			