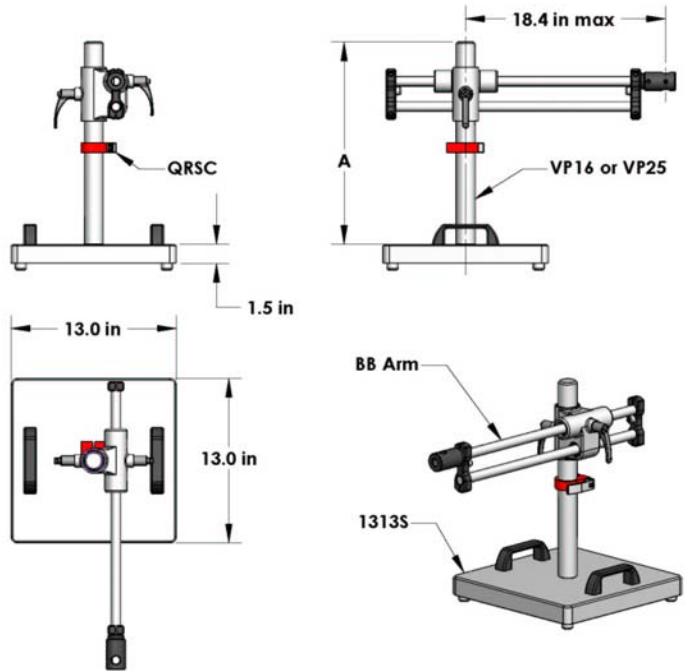


DELUXE HEAVY BB STAND



Ball Bearing Stand Components

- 1313S 13" x 13" x 1½" powder coated steel base with four rubber feet, carrying handles, 78 lbs.
- VP16 1 ½" diameter x 16" long stainless steel vertical post drilled to accept ½-13 UNC bolt.
- VP25 1 ½" diameter x 25" long stainless steel vertical post drilled to accept ½-13 UNC bolt.
- BB Cast aluminum, powder coated cross block featuring bronze bushings for the vertical axis and Thomson® linear ball bearings and dual hardened stainless steel shafting for the horizontal axis. Includes industry standard 5/8" "Bonder Pin" hole for end on, above or below mounting. Total horizontal motion 12 ½".
- QRSC Red anodized aluminum safety clamp featuring a clear anodized aluminum quick release handle incorporating all stainless steel and brass hardware.

Assembly Number	A* (in)	B (in)	Stand Specific Components	Common Components
OS1313S-16BB	16	1½	VP16	1313S BB
OS1313S-25BB	25	1½	VP25	QRSC
* Custom length vertical posts available upon request.				