



Old School Industries, Inc.

4678 Edie Place | Erie, CO 80516 | Phone: 303.828.9093 | Fax: 303.828.9094 | info@osi-incorp.com

Biological Transmitted Light Stand



❖ Available Features:

- Ergonomically positioned tilting mirror control on front of base.
 - Coaxial control adjusts both angle and position of mirror.
 - A 3:1 gear reduction allows for precise positioning of the mirror angle.
 - Click stop at 45° position.
- 25 mm diameter filter holder.
 - Accepts standard filter size.
 - Easily accessible.
- Focusing condensing lens system, allows adjusting of illumination spot size and illumination intensity to conform to microscope field of view.
- Illumination focusing controls conveniently located low and along the midline of the base.
- Large 8" x 9" specimen platform with 98mm glass insert.
 - Black & white contrast plate available.
 - Secondary filter well below 98mm stage platform. Accommodates (88mm diameter x 3 mm thick) polarizer, frosted glass, filter inserts.
- Throat depth is easily adjustable by user. No need to specify microscope to be used when ordered.
- Will readily accommodate up to 8" x 8" coaxial controlled X/Y Stages.
- Modular design allows for field upgrades.
- Designed to accept popular fiber optic accessories; i.e. flat panel backlights, ring lights, single bundles.
- Available with fixed 45° mirror.

Biological Transmitted Light Stand System Diagram

Vertical Columns & Mounts

#50203 1.5" diameter x 10" vertical column with mount & safety clamp.

#50204 20mm diameter x 10" vertical column with mount & safety clamp.

#50205 25mm diameter x 10" vertical column with mount & safety clamp.

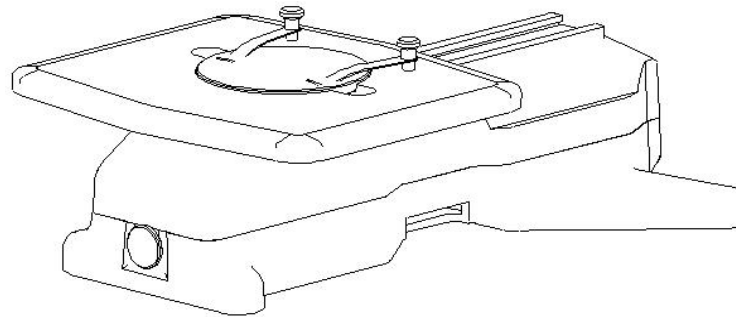
#50206 32mm diameter x 10" vertical column with mount & safety clamp.

Mounts for special vertical columns

#10204 Mount for WESCO rectangular column.

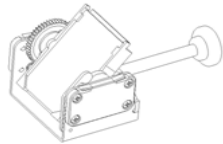
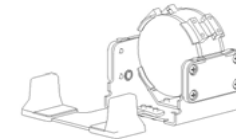
#10213 Mount for Nikon focusing column from C-PS Stand.

#10217 Mount for Leica columns; # 10446176, 10445615, 10446100, 10445616, 10446100.



Fiber Bundle Mounts

#50230 10mm diameter fiber bundle grommet.



Brightfield and Darkfield Illumination

#50235 Tilting Mirror Assembly.



Brightfield Illumination Only

#50225 45° Fixed Mirror Assembly.

#50273 Biological Casting

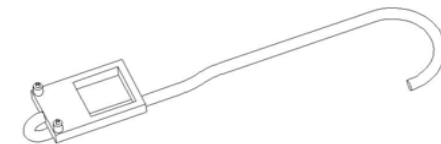


360° Darkfield Illumination

#50215 Fiber optic ringlight Mount. Accepts Schott-Fostec #A08630 Midi, Volpi #10520 40mm ID Ringlights.

Condenser Lens Assembly

#50214 Internal Focusing Condenser Assembly.



Diffuse Transmitted Light

#50220 Panel Light Mount. Accepts Schott-Fostec #A08920 or Volpi #45020 2 x 2 panel backlights.



OLD SCHOOL INDUSTRIES, INC.