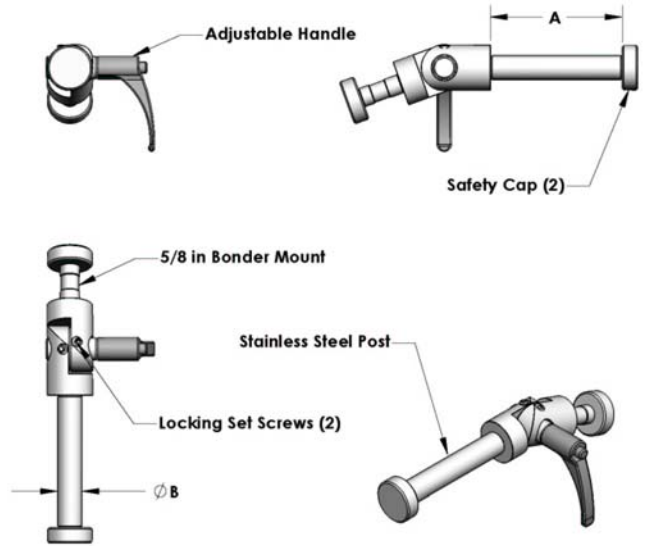
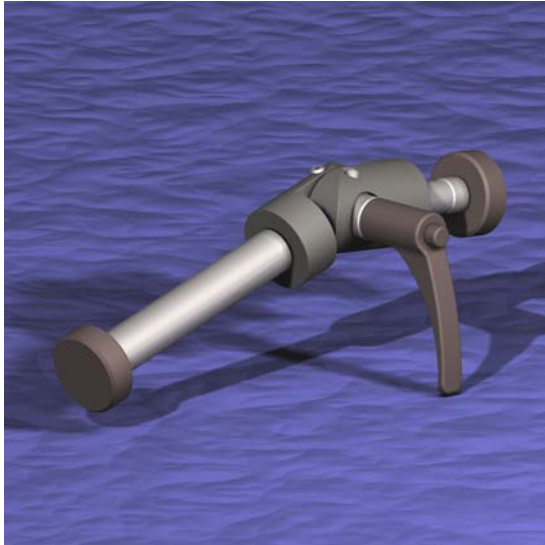
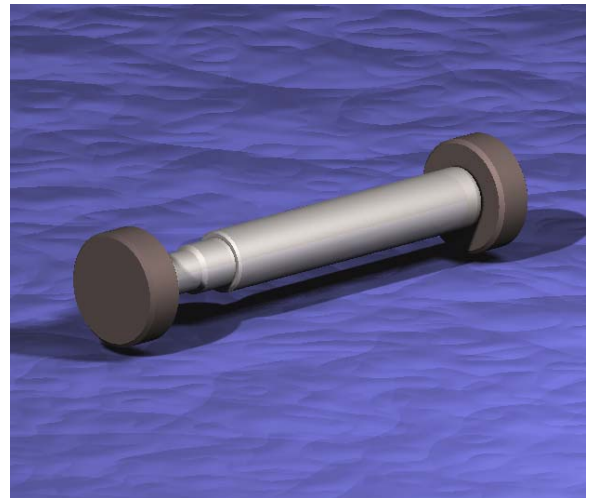
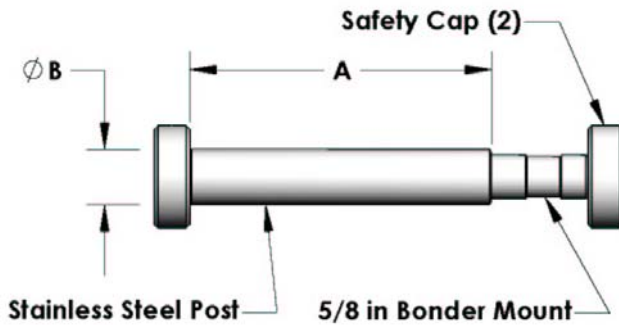


ACCESSORIES



Microscope Tilt Mounts

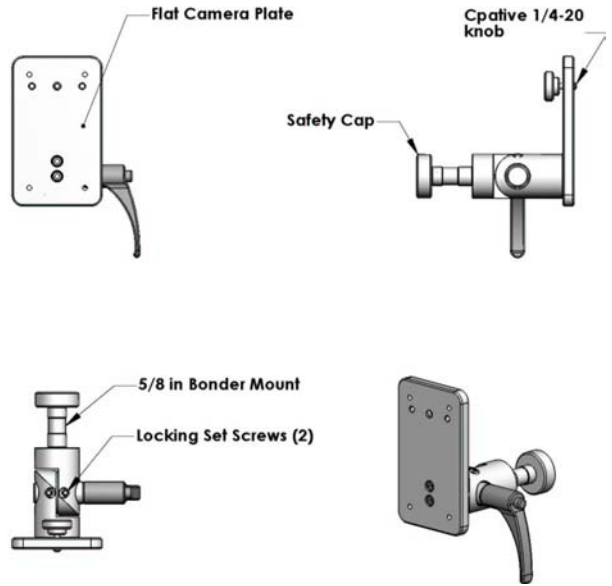
Part Number	Description	A (mm)	B (mm)
OSK20MM	Tilting mount with 20mm x 108mm stainless steel post, 5/8" bonder pin, 2 black anodized safety caps, and adjustable handle.	108	20
OSK25MM	Tilting mount with 24.5mm x 152mm stainless steel post, 5/8" bonder pin, 2 black anodized safety caps, and adjustable handle.	152	24.5
OSK30MM	Tilting mount with 30mm x 152mm stainless steel post, 5/8" bonder pin, 2 black anodized safety caps, and adjustable handle.	152	30
OSK32MM	Tilting mount with 32mm x 216mm stainless steel post, 5/8" bonder pin, 2 black anodized safety caps, and adjustable handle.	216	32



Microscope Fixed Mounts

Part Number	Description	A (mm)	B (mm)
OSSP20MM	Stainless steel post, 5/8" bonder pin, 2 black anodized safety caps.	108	20
OSSP25MM	Stainless steel post, 5/8" bonder pin, 2 black anodized safety caps.	152	24.5
OSSP30MM	Stainless steel post, 5/8" bonder pin, 2 black anodized safety caps.	152	30
OSSP32MM	Stainless steel post, 5/8" bonder pin, 2 black anodized safety caps.	216	32

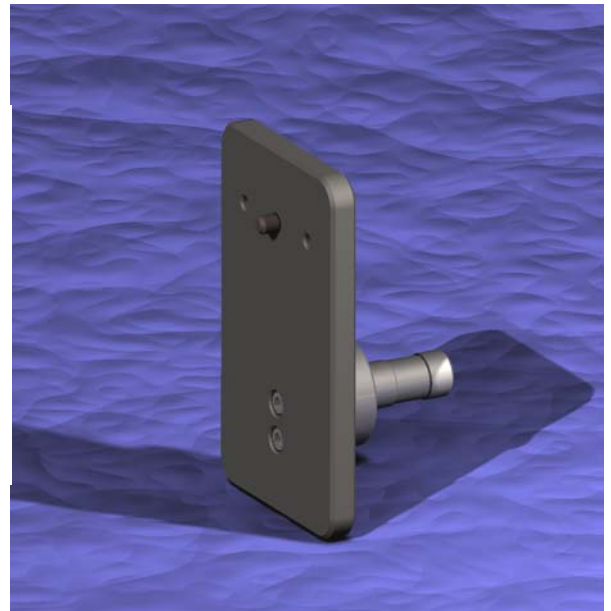
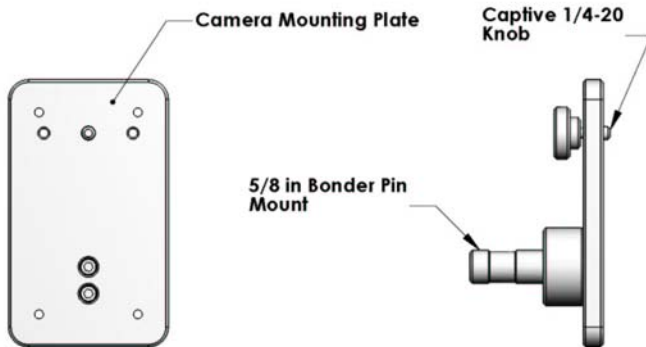
ACCESSORIES



Camera Tilt Mount

OSK22

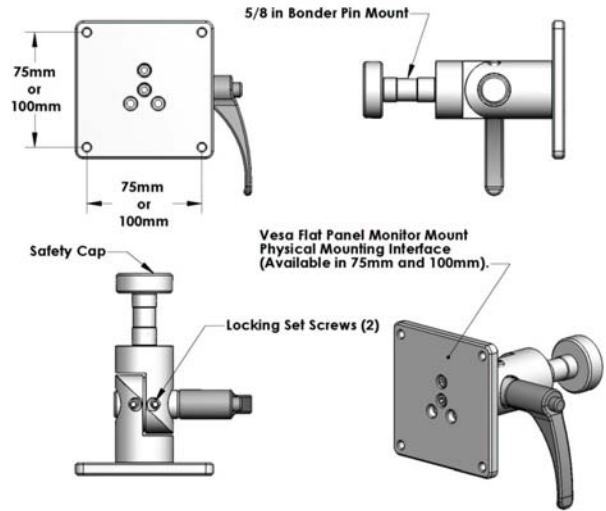
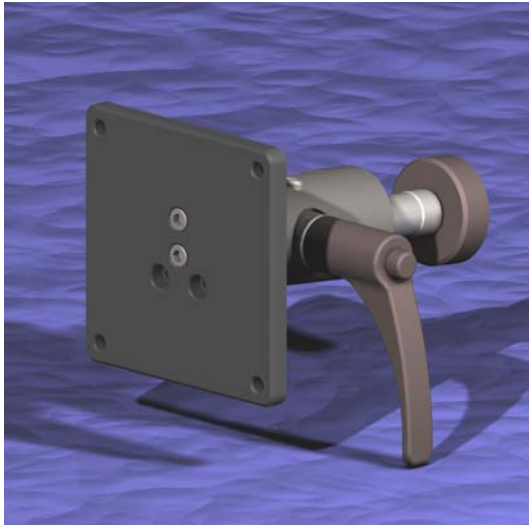
Aluminum camera mounting plate with captive 1/4-20 knob, and one black anodized aluminum safety cap.



Camera Fixed Mount

OSF22

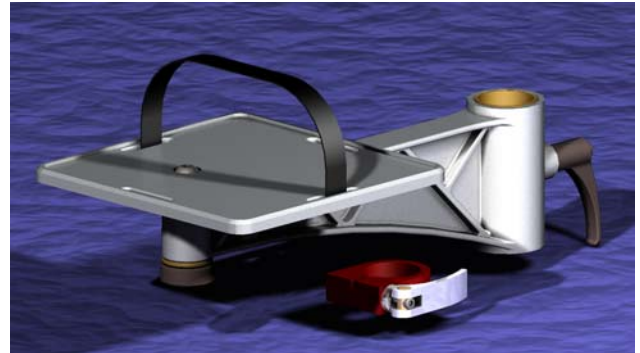
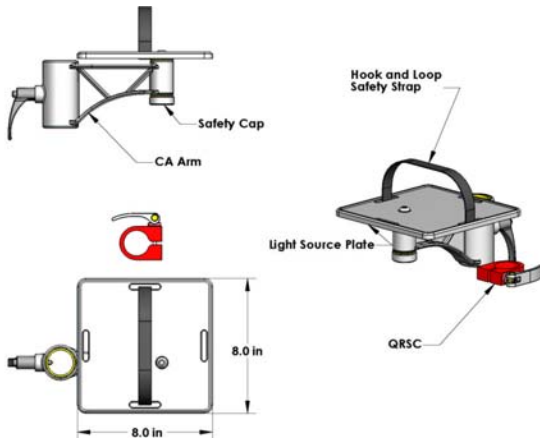
Aluminum camera mounting plate with captive 1/4-20 knob, and one black anodized aluminum safety cap.



Flat Panel Monitor Tilt Mount

OSK-V100 Aluminum VESA® Flat Panel Monitor Physical Mounting Interface™ Tilt Mount with 100mm x 100mm Standard Interface Pad, and one black anodized aluminum safety cap. Ideal for mounting a Flat Panel Monitor to OSI LA Lift articulating arm.

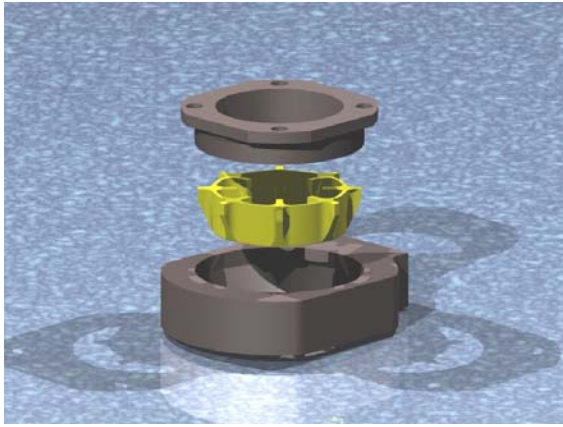
OSK-V075 Aluminum VESA® Flat Panel Monitor Physical Mounting Interface™ Tilt Mount with 75mm x 75mm Standard Interface Pad, and one black anodized aluminum safety cap. Ideal for mounting a Flat Panel Monitor to OSI LA Lift articulating arm.



Lamp House Shelving

OSLP0808 Aluminum plate and one black anodized aluminum safety cap with cast aluminum arm, includes double sided hook & loop strap and quick release safety clamp. Ideal uses include as mounting platform for fiber optic lamp house, as a tool shelf.

Assembly Number	Stand Specific Components	Common Components
OSLP0808-CA06	CA06	LP0808
OSLP0808-CA12	CA12	QRSC



Universal Lens/Tube Collet to 1/4 -20 Flat

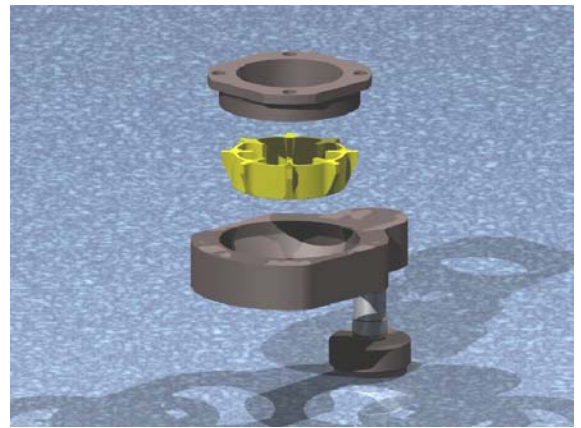
OSQT-2848

28 mm – 48 mm Collet System for mounting lenses and optic tubes to a flat with 1/4 -20 mounting hole. Includes 10 individual collets which will allow mounting of lenses and optic tubes from 28 mm to 48mm diameter.

Universal Lens/Tube Collet to Fixed 5/8" Bonder Pin

OSF-2848

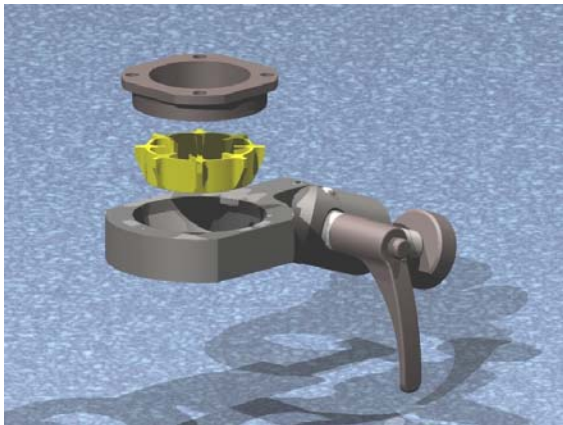
28 mm – 48 mm Collet System for mounting lenses and optic tubes with fixed 5/8" "Bonder" pin. Includes 10 individual collets which will allow mounting of lenses and optic tubes from 28 mm to 48mm diameter.



Universal Lens/Tube Collet to Tilting 5/8" Bonder Pin

OSK-2848

28 mm – 48 mm Collet System for mounting lenses and optic tubes with tilting 5/8" tilting "Bonder" pin. Includes 10 individual collets which will allow mounting of lenses and optic tubes from 28 mm to 48mm diameter.



Universal Lens/Tube Collet to Microscope Focus Blocks

OSxxD-2848

28 mm – 48 mm Collet System for mounting lenses and optic tubes to various diameter (i.e. xx equals 76, 82, 83, 84 mm) stereomicroscope focus blocks. Includes 10 individual collets which will allow mounting of lenses and optic tubes from 28 mm to 48mm diameter.

