



CV-M532/M535 ***Remote Head Monochrome CCD Camera***



- ***High resolution monochrome 1/3" Hyper HAD IT CCD sensor***
- ***EIA: 768 (h) x 494 (v) pixels***
- ***Remote head \varnothing 12. Cable length 2 or 5 m***
- ***Improved dynamic range and smear performance***
- ***High S/N ratio >56 dB***
- ***Interlaced or non-interlaced scanning***
- ***Field or frame integration mode***
- ***Internal, external HD/VD or random synchronization***
- ***HD/VD synchronization input/output - TTL or 75 Ohm***
- ***Edge pre-select, pulse width control and start/stop trigger modes***
- ***Long time exposure with external VD pulses***
- ***Exposure enable EEN, write enable WEN and pixel clock output***
- ***Framegrabber friendly interface***
- ***Camera functions and CCU housing identical with CV-M50***

The leading manufacturer of high performance camera solutions

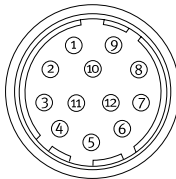
Specifications for CV-M532/CV-M535 EIA

Specifications	CV-M532/M535
Scanning system	525 lines, 30 frames/sec.
CCD sensor	Monochrome 1/3" Hyper HAD IT CCD
Sensing area	4.9 mm (h) x 3.7 mm (v)
Effective picture elements	768 (h) x 494 (v)
Elements in video output	758 (h) x 486 (v)
Cell size	6.35 (h) x 7.4 (v) um
Resolution	
Horizontal	570 TV lines
Vertical	485 TV lines
Sensitivity on sensor	0.2 Lux, Max gain, 50% video
S/N ratio	>56 dB (AGC off, Gamma 1)
Video output	Composite VS signal 1.0 Vpp, 75 Ohm
Gamma	0.45 or 1.0
Gain	Manual - Automatic 0 to +15 dB
Scanning	2:1 interlaced - non-interlaced
Accumulation	Field - Frame
Synchronization	Int. X-tal. Ext HD/VD or random trigger
HD sync. input/output	4V, 75 Ohm *
VD sync. input/output	4V, 75 Ohm *
Trigger input	4V, 75 Ohm *
Trigger input duration	>64 μsec.
WEN out (write enable)	4V, 75 Ohm
EEN out (exposure enable)	4V, 75 Ohm
Pixel clock output (optional)	4V, 75 Ohm, sine
Shutter modes	Internal, Edge pre-select, Pulse width control, Start/stop, Long time integration
Edge pre-select	1/60, 1/125, 1/250, 1/500, 1/1000, 1/2000, 1/4500, 1/10,000 second
Pulse width control	<1000 H
Start/stop trigger	1/77 to 1/10,000 second
Long time exposure	1 field to ∞ Duration between ext. VD pulses
Operating temperature	-5°C to +45°C
Humidity	20 - 80% non-condensing
Power	12V DC ±10%. 3.7W
Dimensions, CCU	40 x 50 x 80 mm (HxWxD)
Weight, CCU	210 g
Lens mount	Special M10.5 x 0.5
Dimensions	ø12 x 50 mm
Cable length to head	
CV-M532	2 m
CV-M535	5 m
Weight, camera head	5 g

* HD sync., VD sync./ (trigger) input or output by internal jumpers. Factory setting HD/VD input. Inputs TTL or 75 Ohm terminated by internal jumpers. Factory setting: 75 Ohm terminated.

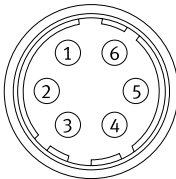
Connection Description

DC-IN/SYNC.



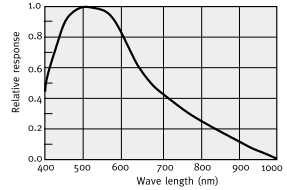
Pin 1 Ground
2 +12V DC
3 Ground
4 Video output
5 Ground
6 HD input/HD output
7 VD input/VD output
8 Ground
9 Pixel clock output (Optional)
10 Ground
11 +12V DC
12 Ground

TRIGGER



Pin 1 N.C.
2 EEN output
3 Ground
4 N.C.
5 Trigger input
6 WEN output

Spectral Sensitivity

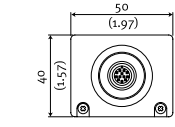


Relative response

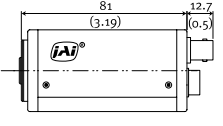
Wave length (nm)

Dimensions

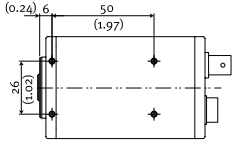
Front view



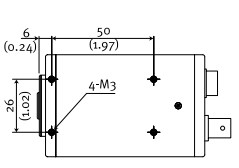
Side view



Bottom view

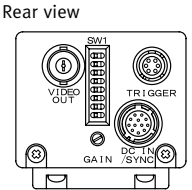


Top view



Switch Setting

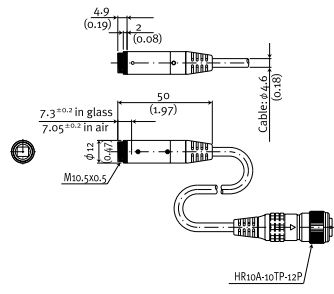
	OFF	ON	
SHUTTER	1	2	1/60 off
	3	4	1/125
	5	6	1/250
	7	8	1/500
			1/1000
			1/2000
			1/4500
			1/10,000
			Seconds
TRIGGER	Normal	External	
ACCUMM	Field	Frame	
INTERLACE	Interlaced	Non-interlaced	
GAMMA	1.0	0.45	
GAIN	Manual	Auto	



Ordering Information

CV-M532E 1/3" Remote Head Monochrome CCD Camera. EIA. 2 m cable
CV-M535E 1/3" Remote Head Monochrome CCD Camera. EIA. 5 m cable

Camera Head Dimensions



Company and product names mentioned in this datasheet are trademarks or registered trademarks of their respective owners. IAI AS cannot be held responsible for any technical or typographical errors and reserves the right to make changes to products and documentation without prior notification.



THE MECHADEMIC COMPANY