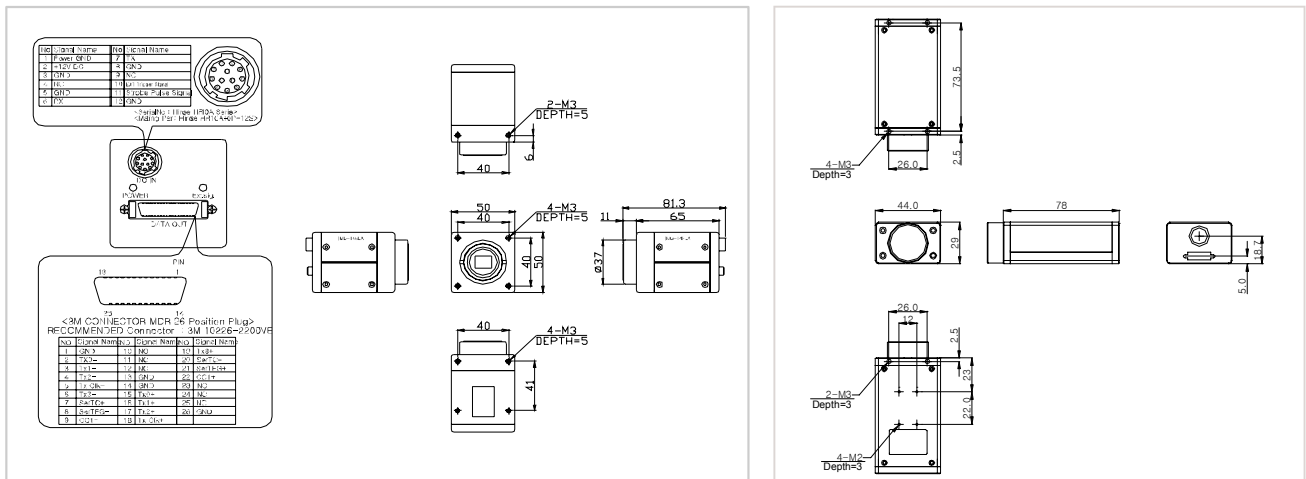




## Dimension (in mm)



## Specifications

Features	IMB-145 CL	IMB-1045CL	IMB-1142 CL	IMC-1045 CL	IMC-1142 CL
Image Sensor	2/3" progressive scan CCD (Sony ICX285AL)	1/3" progressive scan CCD (KAI-0340D)	1/2" progressive scan CCD (Sony ICX267AL)	1/3" progressive scan CCD (KAI-0340D)	1/2" progressive scan CCD (Sony ICX267AQ)
Cell Size(um)	6.45 x 6.45	7.4 x 7.4	4.4 x 4.4	7.4 x 7.4	4.4 x 4.4
Effective pixels	1392(H)x1040(V)	-	-	-	-
Max Resolution	1280x960	640x480	1392x1040	640x480	1388x1036
FPS at Max resolution	20	200	38	200	38
Power Requirements	500mA @+12VDC	TBD	TBD	TBD	TBD
Partial Scan (Binning)		1x2,1x4,2x1,2x2, 2x4 4x1,4x2,4x4	2x1,2x2 binning	1x2,1x4,2x1,2x2, 2x4,4x1,4x2,4x4	2x1,2x2
Shutter Speed	1/15~1/50,000sec	TBD	TBD	TBD	TBD
Gain Control	0~24dB	0 ~ 25 dB	0~27dB	0 ~ 25 dB	0~24dB
Gamma	1(Factory Default)	1(Factory Default)	1(Factory Default)	1(Factory Default)	1(Factory Default)
Data path (Color)	10 bit	10 bit	10 bit	10 bit Bayer	10 bit Bayer
External Trigger	Falling or Rising Edge				
Signal to Noise ratio	56dB or better				
Video Out Interface	Camera Link, RS-232C(Supply Voltage 8 ~ 30V DC from cable)				
Lens Mount	C Mount				
Regulations	FCC, CE, MIC				
Operation Temperature	-5°C ~ 45°C				
Dimensions (mm)	50(W)x50(H)x76(L)	44(W)x29(H)x90(D)	44(W)x 29(H)x90(D)	44(W)x29(H)x90(D)	44(W)x 29(H)x90(D)
Weight (grams)	330	150	150	150	150
Supplied Accessories	Lens cover, User's Manual, Control program				

Note : Specification may subject to change without notice.



**BOCK OPTRONICS INC.**

14 Steinway Blvd., Suite 7 Toronto, Ontario M9W 6M6 Canada

Tel : 416-674-2804 Fax : 416-674-1827 Email : sales@bockoptronics.ca Website : www.bockoptronics.ca

*Pioneer in Digital Vision Technology*