

Update!

YUKON SERIES

F Mount / C Mount
Binning support
LUT support



16Mega to VGA

CAMERALINK DIGITAL CAMERA LINEUP

BLACK & WHITE

IMI YUKON SERIES **IMB- 2160CL/2110CL/2040CL
2020CL/2003CL**



Overview

The Yukon Series incorporates the new industry standard Camera Link® as a digital video interface. The new standard effectively combines up to 26 parallel digital signals into four high-speed signal pairs on full mode enabling High-Speed, High-Resolution with simple connectivity. Every unit has passed our rigorous testing procedure to ensure reliability even in mission critical applications.



*INDUSTRY STANDARD CAMERA LINK®
COMPACT DESIGN WITH EXTERNAL TRIGGER*



Applications

- Machine Vision
- Semi Con Inspection
- F&B Inspection
- Microscopy & Medical
- Industrial Analysis
- Bar Code, OCR, OCV
- Ultra High Resolution App.

Features

The industry standard, Camera Link® compliant Yukon Series cameras provide high speed, high resolution imaging. The most common adjustments such as exposure, gain and gamma are easily accessible. Image capture by an external trigger, RS232 Control and Binning mode (only Mono) provide maximum flexibility for challenging applications. Color and Monochrome versions are available for each model. The compact form factor expands application range while preserving functionality. Knee Table Control, Gamma Control (0.4~2.5), User Define LUT, Video Output Order Control, and Defective Pixel Correction enhance image quality. The Yukon Series cameras are industry leaders in price / performance, reliability and functionality.



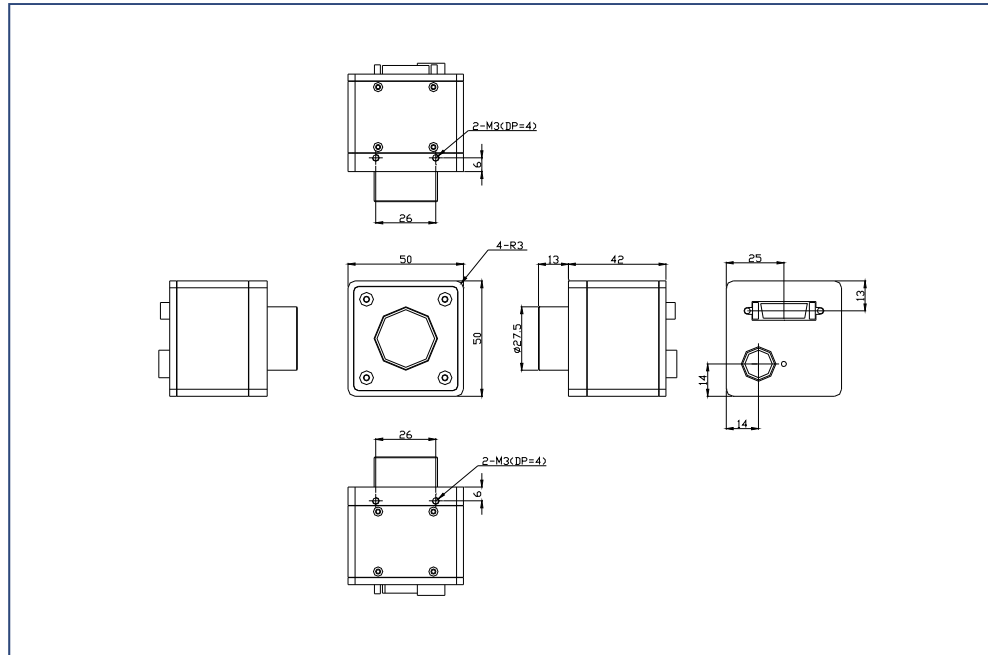
IMI TECHNOLOGY CO.,

#2 Eun-Seok Bldg. 729-1 Yeoksam-Dong
Gangnam-Gu, Seoul 135-080, Korea
Tel : 82-2-527-9800 Fax : 82-2-527-9900

Email : sales@imi-tech.com
Website : www.imi-tech.com

For Sales Inquiry and Technical Support ▶

Dimension (in mm)



Specifications



Features	IMB-2160CL (Preliminary)	IMB-2110CL (Preliminary)	IMB-2040CL	IMB-2020CL (Preliminary)	IMB-2003CL
Image Sensor	KAI-16000M	KAI-11002M	KAI-4021M	KAI-2093M	KAI-0340M
Pixels	4872(H)x3248(V)	4008(H)x2672(V)	2048(H)x2048(V)	1920(H)x1080(V)	640(H) x 480(V)
Data Depth	8/10/12 bit				8/10 bit
Pixel Size	7.40 x 7.40 um	9.00 x 9.00 um	7.40 x 7.40 um	7.40 x 7.40 um	7.40 x 7.40 um
Aspect Ratio	5:4	3:2	1:1	16:9	4:3
Type Read Out	PSCAN				
Bit Depth	8 / 10 / 12 bit				8 / 10 bit
S/N in dB	56dB				
Digital Interface	Camera Link				
Other Interfaces	12 Pin Power Connector (External Sync, RS232, Trigger and Strobe)				
Pixel Clock	28 MHz	28 MHz	40 MHz	40 MHz	40 MHz
Frame Rate at Max Res.	3fps	5fps	16fps	30fps	200fps
Binning	2 x 2				
Shutter Speed	1 usec~100usec	1 usec~100usec	1 usec~100usec	1 usec~100usec	1 usec~20usec
Gain Control	6 ~ 18 dB				
Gamma	0.4~2.5				
Trigger Mode	Mode 0 (Shutter) , Mode 1 (Pulse Width)				
Lense Mount	C / F Mount				
Dimension	66(W) X 66(H) X 55.1(D)mm / approx. 290 gram				
Power Current in mA	Less than 4 Watts (@ 12V DC)				
Other Features	Knee Table Control, Gamma Control (0.4~2.5), User Define LUT, Video Output Order Control, Defective Pixel Correction				Knee Table Control, Gamma Control (0.4~2.5), Video Output Order Control

Note : Specification may be subject to change without notice.