

Update!

# RHEIN SERIES

FIREWIRE DIGITAL CAMERA LINEUP

BLACK & WHITE

IIDC1.31 compliant

Ext. Trigger

Auto Sync / LUT



IMI RHEIN SERIES    **IMB-82FT / 72FT / 52FT / 42FT**



## Overview

The Rhein Series Digital Area Scan CCD Cameras with FIREWIRE Interface and external Trigger are an excellent choice for the most demanding industrial applications. Equipped with a Sony Progressive Area Scan CCD, the RHEIN cameras provide high image quality while 100% product testing ensures maximum stability and consistency



*FIREWIRE INTERFACE WITH  
EXTERNAL TRIGGER*



## Applications

Machine Vision & ITS(LPR)

Semi Con Inspection

F&B Inspection

Microscopy & Medical

Industrial Analysis

Bar Code, OCR, OCV

## Features

The fully compliant IIDC 1.31 Rhein Series cameras are cost effective vision solutions rich in features for most applications that require a high frame rate but not a high resolution. External Trigger supports mode 0, 1, 2, 3, 4, 5, 14 and 15 which are unique compared with cameras from other vendors. All model support multi-camera auto sync which is ideal for application with multiple cameras; as well as other advanced features such as memory save/load, one-shot and multi-shot capability, RS232 Pass through, 1us ~ 3600s shutter speed, True Speed Format 7 Partial Scan, LUT(4point, user define), horizontal and vertical Binning mode 1x2, and 2x2; all of which provide maximum flexibility for challenging applications. The latest Rhein Series firmware, which can be upgraded via FIREWIRE, along with a free SDK and Demo Applications can be obtained from our website.



IMI TECHNOLOGY CO., LTD.

#2 Eun-Seok Bldg. 729-1 Yeoksam-Dong  
Gangnam-Gu, Seoul 135-080, Korea

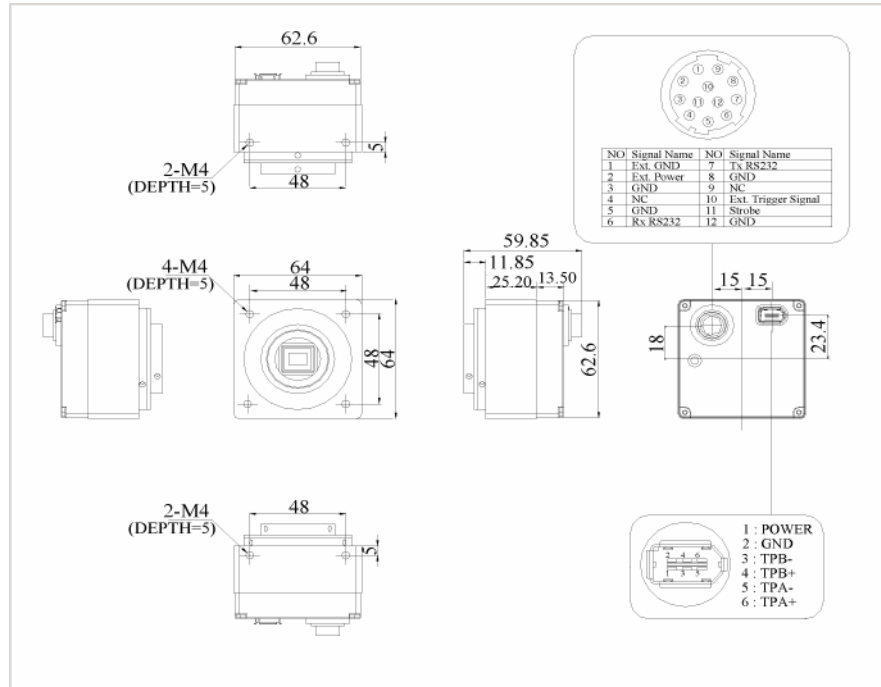
Tel : 82-2-527-9800 Fax : 82-2-527-9900

Email : sales@imi-tech.com

Website : www.imi-tech.com

For Sales Inquiry and Technical Support ▶

## Dimension ( in mm)



## Specifications



Features	IMB-82FT	IMB-72FT	IMB-52FT	IMB-42FT
Image Sensor	1/3" progressive scan CCD Sony ICX204AL	1/2" progressive scan CCD Sony ICX415AL	1/2" progressive scan CCD Sony ICX414AL	1/3" progressive scan CCD Sony ICX424AL
Picture Size	1024(H) x 768(V)	780(H) x 580(V)	640(H) x 480(V)	640(H) x 480(V)
Data Output	Y8, Y16			
Pixel Depth	12 bit			
Pixel Size	4.65 x 4.65 um	8.30 x 8.30 um	9.90 x 9.90 um	7.40 x 7.40 um
FPS at Max resolution	36 fps(Format 7 mode 0)	60 fps(Format 7 mode 0)	86 fps(Format 7 mode 0)	86 fps(Format 7 mode 0)
Scanning System	Progressive Scan			
Binning	2x2, 1x2			
Format7	Partial Scan (Unit : 4x4)			
External Trigger	Mode 0, 1, 2, 3, 4, 5, 14, 15 (TTL)			
Strobe Output	Active Low or High, Supports Normal Mode or Trigger Mode (TTL)			
Memory Save/Load	16 Channels(0:factory, 1~4:feature, 5~15:mode/feature)			
One-shot/Multi-shot	1 Shot ~ 65,535 Shots			
SIO (RS-232)	IIC v1.31version : Pass Through or IMI-Tech Command			
Digital Interface	IEEE 1394a (6pin) 1 Port			
Transfer Rate	400 Mbps			
Shutter	1usec ~ 3600 sec (Manual or Auto)			
Gain Control	0~18 dB (Manual or Auto)			
S/N Ratio	56dB or better			
Control Function	Brightness, Sharpness, Gamma, Auto-Exposure, Shutter, Gain, Pan/Tilt, LUT (4point, user defined)			
Lens Mount	C Mount			
Supply Voltage & Power	8 VDC~ 30 VDC, 280mA 12V DC			
Dimensions / Weight	64 (W) x 64 (H) x 60 (D) mm / approx. 300 gram			

Note : Specification may be subject to change without notice.