

Update!

RHEIN SERIES

FIREWIRE DIGITAL CAMERA LINEUP

BLACK & WHITE

IIDC1.31 compliant

Ext. Trigger

Auto Sync / LUT



16FPS at 1600x1200

IMI RHEIN SERIES IMB-202FT / 147FT / 142FT



Overview

The Rhein Series Digital Area Scan CCD Cameras with FIREWIRE Interface and external Trigger are an excellent choice for the most demanding industrial applications. Equipped with a Sony Progressive Area Scan CCD, the RHEIN cameras provide high image quality while 100% product testing ensures maximum stability and consistency.



*FIREWIRE INTERFACE WITH
EXTERNAL TRIGGER*



Applications

Machine Vision & ITS(LPR)

Semi Con Inspection

F&B Inspection

Microscopy & Medical

Industrial Analysis

Bar Code, OCR, OCV

Features

The fully compliant IIDC 1.31 Rhein Series cameras support up to 16 FPS at 1600 x 1200. They are cost effective vision solutions rich in the features and wide range of resolutions that are necessary for most applications. External Trigger supports mode 0, 1, 2, 3, 4, 5, 14 and 15 which are unique compared with cameras from other vendors. All model support Photo-coupler and multi-camera auto sync which is ideal for application with multiple cameras; as well as other advanced features such as memory save/load, one-shot and multi-shot capability, RS232 Pass through, 1us ~ 3600s shutter speed, True Speed Format 7 Partial Scan, LUT(4point, user define), horizontal and vertical Binning mode 1x2, and 2x2; all of which provide maximum flexibility for challenging applications. The latest Rhein Series firmware, which can be upgraded via FIREWIRE, along with a free SDK and Demo Applications can be obtained from our website.



IMI TECHNOLOGY CO., LTD.

#2 Eun-Seok Bldg. 729-1 Yeoksam-Dong
Gangnam-Gu, Seoul 135-080, Korea

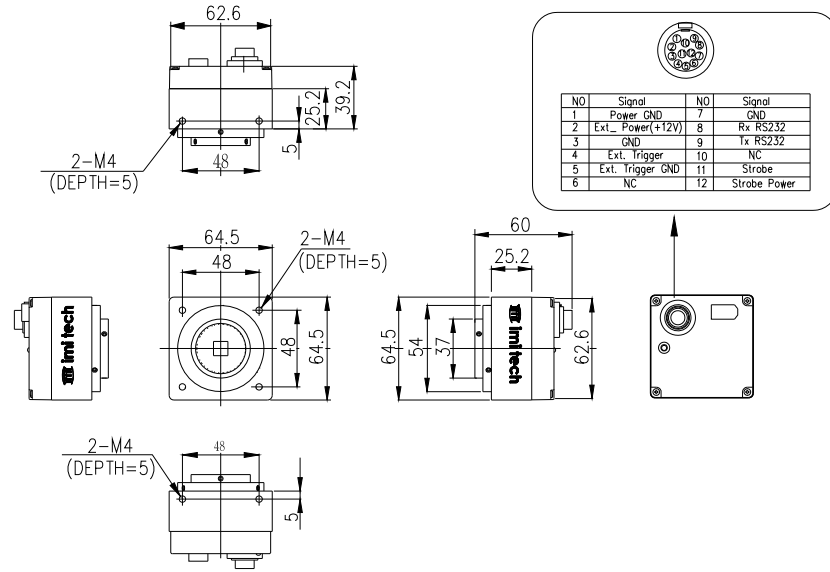
Tel : 82-2-527-9800 Fax : 82-2-527-9900

Email : sales@imi-tech.com

Website : www.imi-tech.com

For Sales Inquiry and Technical Support ▶

Dimension (in mm)



Specifications

Features	IMB-202FT	IMB-147FT	IMB-142FT
Image Sensor	1/1.8" progressive scan CCD Sony ICX274AL	2/3" progressive scan CCD Sony ICX285AL	1/2" progressive scan CCD Sony ICX205AL
Picture Size	1600(H) x 1200(V)	1388(H) x 1040(V)	1388(H) x 1040(V)
Data Output	Y8, Y16		
Pixel Depth	12 bit		
Pixel Size	4.40 x 4.40 um	6.45 x 6.45 um	4.65 x 4.65 um
FPS at Max resolution	16 fps(Format 7 mode 0)	20 fps(Format 7 mode 0)	20 fps(Format 7 mode 0)
Scanning System	Progressive Scan		
Binning	2x2, 1x2		
Format7	Partial Scan (Unit : 4x4)		
External Trigger	Mode 0, 1, 2, 3, 4, 5,12,13, 14, 15 (Photo-coupler)		
Strobe Output	Active Low or High, Supports Normal Mode or Trigger Mode (Photo-coupler)		
Memory Save/Load	16 Channels(0:factory, 1~4:feature, 5~15:mode/feature)		
One-shot/Multi-shot	1 Shot ~ 65,535 Shots		
SIO (RS-232)	IICd v1.31version : Pass Through or IMI-Tech Command		
Digital Interface	IEEE 1394a (6pin) 1 Port		
Transfer Rate	400 Mbps		
Shutter	1 usec ~ 3600 sec (Manual or Auto)		
Gain Control	0~18 dB (Manual or Auto)		
S/N Ratio	56dB or better		
Control Function	Brightness, Sharpness, Gamma, Auto-Exposure, Shutter, Gain, Pan/Tilt, User defined AE, LUT(4point, user defined)		
Lens Mount	C Mount		
Supply Voltage & Power	8 VDC~ 30 VDC, 280mA 12V DC		
Dimensions / Weight	64 (W) x 64 (H) x 60 (D) mm / approx. 300 gram		

Note : Specification may be subject to change without notice.