



Size : 29x29x39mm



Resolution Size : 1024x768 / 640x480

IMI PEARL SERIES IMC-15FT/11FT, IMB-15FT/11FT

Overview

The IMI PEARL SERIES^í comprises its features in an ULTRA COMPACT form. Their light weight makes installation fast and easy, which is why the PEARL SERIES are an excellent substitute for existing analog cameras that are disappearing in machine vision. The PEARL SERIES' high frame rate and advanced features are equal to the specs of IMI HAN SERIES^í cameras.

The IMI PEARL SERIES provide versatility in space and weight considerations to benefit actual operation and installation. Every unit has passed a rigorous testing procedure to ensure reliability in mission critical applications.



*FIREWIRE WITH EXTERNAL TRIGGER
INDUSTRIAL LOCK SCREW CONNECTOR*

Features

The fully IIDC 1.31 compliant PEARL SERIES^í support 60 FPS at 640x480 / 30fps at 1024x768 with rich in features necessary for all applications. External Trigger supports mode 0, 1, 2, 3, 4, 5 and 14 which is unique compared with others. All models support multi camera auto sync which is ideal for application for multiple cameras. Moreover, S/W trigger function also is supported by the cameras. Other advanced features such as one-shot and multi-shot capability, RS232 Pass through, 1us ~ 65s shutter speed, Fast Format 7 Partial Scan, horizontal and vertical Binning mode 1x2, 2x2 provides maximum flexibility for real applications. Especially, PEARL SERIES^í can save the frames in the cameras, which makes the images processing more variously, for example, such as displaying 3D images for many applications like cosmetic surgery, movies, motion activities. PEARL SERIES^í firmware can be upgraded via FIREWIRE, obtainable together with SDK and Demo Applications from our website free of charge.

[For Sales Inquiry and Technical Support](#)



Applications

- Machine Vision
- Semi Con Inspection
- F&B Inspection
- Microscopy & Medical
- Industrial Analysis
- Bar Code, OCR, OCV



IMI TECHNOLOGY CO., LTD.

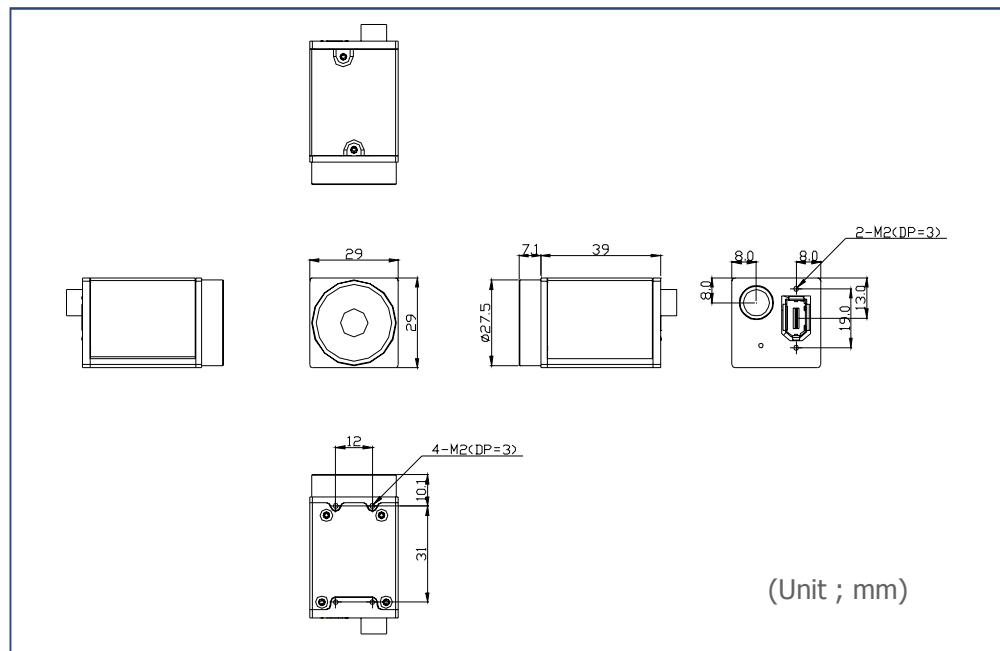


BOCK OPTRONICS INC.

14 Steinway Blvd., Suite 7 Toronto, Ontario M9W 6M6 Canada

Tel : 416-674-2804 Fax : 416-674-1827 Email : sales@bockoptronics.ca Website : www.bockoptronics.ca

Dimension (in mm)



Specifications

Features	IMC-15FT	IMC-11FT	IMB-15FT	IMB-11FT
Image Sensor	1/3" progressive scan CCD Sony ICX204AK	1/3" progressive scan CCD Sony ICX424AQ	1/3" progressive scan CCD Sony ICX204AL	1/3" progressive scan CCD Sony ICX424AL
Model	Color	Color	Mono	Mono
Cell Size(um)	4.65 x 4.65	7.40 x 7.40	4.65 x 4.65	7.40 x 7.40
Effective pixels	800,000 pixels	330,000 pixels	800,000 pixels	330,000 pixels
Max Resolution	1024 x 768	640 x 480	1024 x 768	640 x 480
FPS at Max resolution	30 FPS(Format 7 mode 0)	60 FPS(Format 7 mode 0)	30 FPS(Format 7 mode 0)	60 FPS(Format 7 mode 0)
Power Requirements	TBD	TBD	TBD	TBD
Data path	8/12 bit Raw Bayer / YUV4:2:2		8/12 bit	
Shutter Speed	1usec~65sec			
Gain Control	0 ~ 25 dB		0 ~ 27 dB	
Gamma	0.4~2.5			
External Trigger	Mode 0, 1, 2, 3, 4, 5, 14			
Signal to Noise ratio	56dB or better			
Video Out Interface	IEEE-1394 (400Mbps, Supply Voltage 8 ~ 30V DC from cable)			
1394 DCAM version	IIDC 1.31			
Lens Mount	C / CS Mount			
Advanced Features	Frame Save Function / Pixel Binning via Format7 (2x2, 1x2) / RS232(SIO)-Pass Through / Region of Interest via Format7 (sub-windowing 4x4) / One shot & Multi shot / Multi-Camera Auto Sync / Industrial Screw Lock Cable Support			
Regulations	FCC, CE, MIC, ROHS			
Operation Temperature	-5°C ~ 45°C			
Dimensions / Weight	29 (W) x 29 (H) x 39 (D) mm / TBD (gram)			
Supplied Accessories	Lens cover, User's Manual, Demo Application			

Note : Specification may subject to change without notice.



IMI TECHNOLOGY CO., LTD.

For Sales Inquiry and Technical Support



BOCK OPTRONICS INC.

14 Steinway Blvd., Suite 7 Toronto, Ontario M9W 6M6 Canada

Tel : 416-674-2804 Fax : 416-674-1827 Email : sales@bockoptronics.ca Website : www.bockoptronics.ca