

Update!

HAN SERIES

FIREWIRE DIGITAL CAMERA LINEUP

BLACK & WHITE

Compact Size

IIDC1.31 compliant

Ext. Trigger / Auto Sync.

LUT support



IMI HAN SERIES IMB-1070FT/1050FT/1040FT

Overview

The HAN SERIES comprises a host of features in an ULTRA COMPACT form factor; while supporting the highest frame rate compared to competing models.

The small form factor provides more versatility in space and weight



considerations to benefit the actual operation and installation. Every unit has passed our rigorous testing procedure to ensure reliability even in mission critical applications.

FIREWIRE WITH EXTERNAL TRIGGER AND INDUSTRIAL LOCK SCREW CONNECTOR



Features

The fully IIDC 1.31 compliant HAN SERIES supports up to 16 FPS at 1600 x 1200 and is rich in features necessary for all applications. The External Trigger supports mode 0, 1, 2, 3, 4, 5 and 14 and 15 which are unique compared with others. All models support Photo-coupler and multi camera auto sync, which are ideal for application for multiple cameras, and other advanced features such as memory save/load and one-shot and multi-shot capability. In addition, RS232 Pass through, 1us ~ 3600s shutter speed, True Speed Format 7 Partial Scan, LUT(4point, user defined), horizontal and vertical Binning mode 1x2, 2x2 provide maximum flexibility for challenging applications. The latest HAN SERIES firmware can be upgraded via FIREWIRE, and can be downloaded together with SDK and Demo Applications from our website



Applications

Machine Vision & ITS(LPR)

Semi Con Inspection

F&B Inspection

Microscopy & Medical

Industrial Analysis

Bar Code, OCR, OCV

For Sales Inquiry and Technical Support ▶



IMI TECHNOLOGY CO., LTD.

#2 Eun-Seok Bldg. 729-1 Yeoksam-Dong

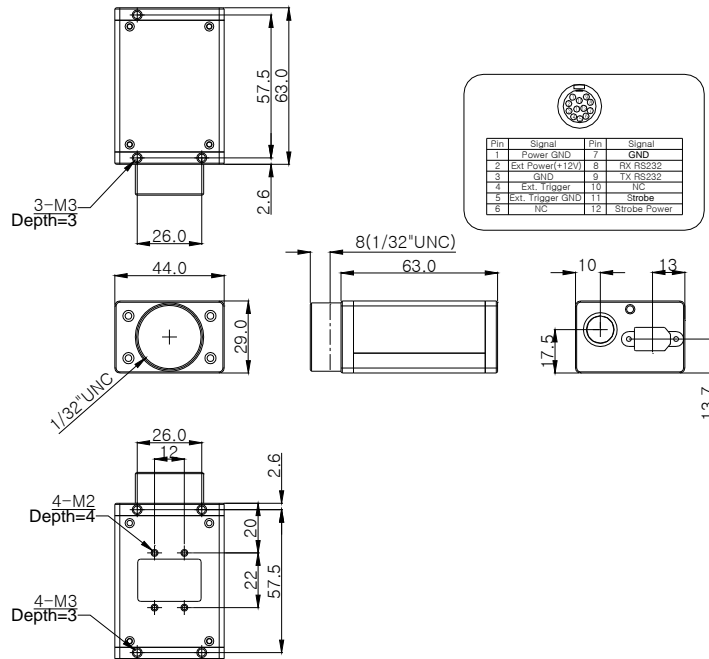
Gangnam-Gu, Seoul 135-080, Korea

Tel : 82-2-527-9800 Fax : 82-2-527-9900

Email : sales@imi-tech.com

Website : www.imi-tech.com

Dimension (in mm)



Data Sheet

Features	IMB-1070FT	IMB-1050FT	IMB-1040FT
Image Sensor	1/2" progressive scan CCD Sony ICX415AL	1/2" progressive scan CCD Sony ICX414AL	1/3" progressive scan CCD Sony ICX424AL
Picture Size	780(H) x 580(V)	640(H) x 480(V)	640(H) x 480(V)
Data Output	Y8, Y16		
Pixel Depth	12 bit		
Pixel Size	8.30 x 8.30 um	9.90 x 9.90 um	7.40 x 7.40 um
FPS at Max resolution	60 FPS(Format 7 mode 0)	86 FPS(Format 7 mode 0)	86 FPS(Format 7 mode 0)
Scanning System	Progressive Scan		
Binning	2x2, 1x2		
Format7	Partial Scan (Unit : 4x4)		
External Trigger	Mode 0, 1, 2, 3, 4, 5,14,15 (Photo-coupler)		
Strobe Output	Active High, Support Normal Mode or Trigger Mode (Photo-coupler)		
Memory Save/Load	16 Channels(0:factory, 1~4:feature, 5~15:mode/feature)		
One-shot/Multi-shot	1 Shot ~65,535 Shots		
SIO (RS-232)	IIC v3.1version : Pass Through or IMI-Tech Command		
Digital Interface	IEEE 1394a (6pin) 1 Port		
Transfer Rate	400 Mbps		
Shutter	1 usec ~ 3600 sec (Manual or Auto)		
Gain Control	0~18 dB (Manual or Auto)		
S/N Ratio	56dB or better		
Control Function	Brightness, Sharpness, Gamma, Auto-Exposure, Shutter, Gain, Pan/Tilt, LUT(4point, user defined)		
Lens Mount	C Mount		
Supply Voltage & Power	8 VDC~ 30 VDC, 260mA 12V DC		
Dimensions / Weight	44 (W) x 29 (H) x 63 (D) mm / approx. 110 gram		

Note : Specification may be subject to change without notice.

 **IMI TECHNOLOGY CO., LTD.**

Pioneer in Digital Vision Technology

#2 Eun-Seok Bldg. 729-1 Yeoksam-Dong, Gangnam-Gu, Seoul 135-080, Korea,

Tel : 82-2-527-9800 Fax : 82-2-527-9900 Email : sales@imi-tech.com Website : www.imi-tech.com