



**For Security**  
**Vari-Focal**

# YV2.2×1.4A-2

Applicable camera (model)

1	2/3	1/2	1/3	1/4

**VARI**  
Vari-Focal

**Fish-Eye 185°**  
Fisheye

**MANUAL**  
Manual Iris

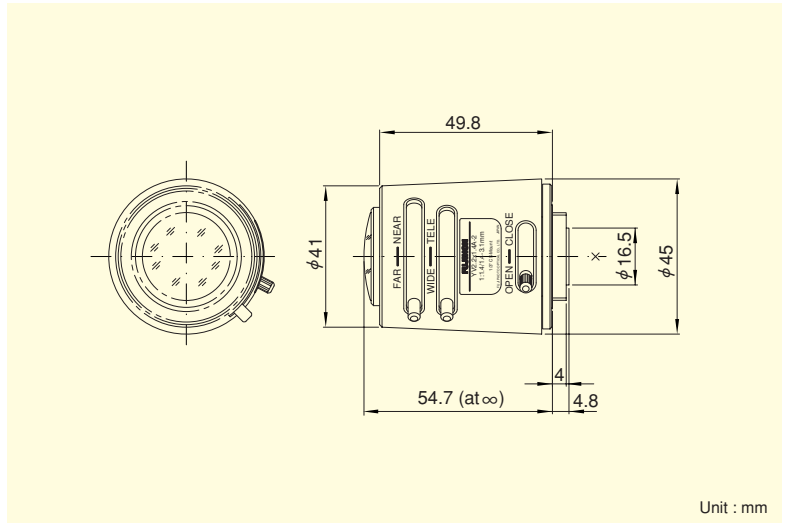
**CS-mt**  
CS Mount

**F1.4**  
Wide Aperture Rate

2.2×



- Fish-eye vari-focal lens with the horizontal field angle of 185-94 degrees (when used on 1/2 cameras)
- Wide aperture of F1.4, optimizing the performance at low lighting intensity



VARI-FOCAL LENSES

Focal Length (mm)		1.4~3.1 (2.2×)	
Iris Range		F1.4 ~ Close	
Operation	Zoom	Manual	
	Focus	Manual	
	Iris	Manual	
Angle Of View (H×V)	1/3"	WIDE	185° (φ3.45)
		TELE	94°47' × 69°26'
	1/4"	WIDE	185° × 121°
		TELE	69°26' × 51°30'
Focusing Range (From Front Of The Lens) (m)		∞ ~ 0.2	
Object Dimensions at M.O.D. (H×V) (mm)	1/3"	WIDE	—
		TELE	448 × 287
	1/4"	WIDE	—
		TELE	287 × 200
Back Focal Distance (in air) (mm)		7.82	
Exit Pupil Position (From Image Plane) (mm)		-45	
Filter Thread (mm)		—	
Mount		CS	
Mass (g)		70	
Remarks			

[Fisheye Lens Image]





**For Security**  
**Vari-Focal**

# YV2.2x1.4A-SA2

Applicable camera (model)

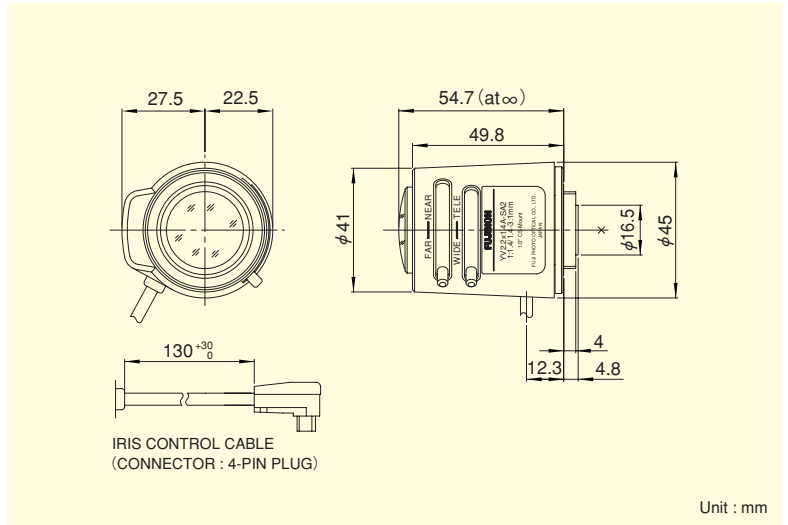
1	2/3	1/2	1/3	1/4
---	-----	-----	-----	-----

- VARI**  
Vari-Focal
- Fish-Eye 185°**  
Fish-eye
- DC**  
DC Auto Iris
- CS-mt**  
CS Mount
- ND**  
ND Filter
- 230**  
Long Cable
- F1.4**  
Wide Aperture Rate

**2.2x**

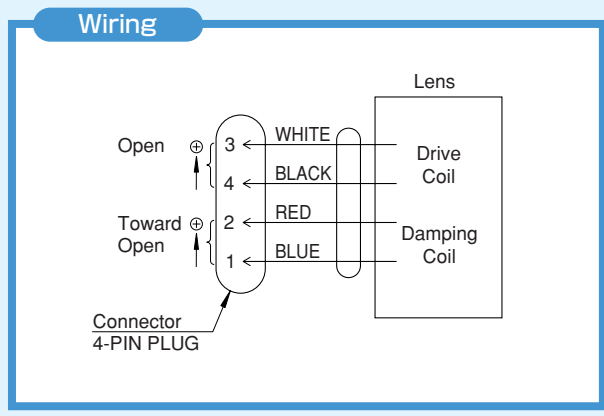


- Fish-eye vari-focal lens with the horizontal field angle of 185-94 degrees (when used on 1/3 cameras)
- Wide aperture of F1.4, optimizing the performance at low lighting intensity
- Built-in ND filter of T360, supporting super sensitive cameras

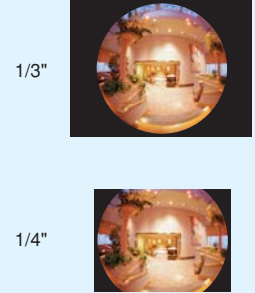


VARI-FOCAL LENSES

Focal Length (mm)		1.4~3.1 (2.2x)	
Iris Range		F1.4 ~ T360 (Equivalent to F360)	
Operation	Zoom	Manual	
	Focus	Manual	
	Iris	Auto (DC Type) (*1)	
Angle Of View (H×V)	1/3"	WIDE	185° (φ3.45)
		TELE	94°47' × 69°26'
	1/4"	WIDE	185° × 121°
		TELE	69°26' × 51°30'
Focusing Range (From Front Of The Lens) (m)		∞ ~ 0.2	
Object Dimensions at M.O.D. (H×V) (mm)	1/3"	WIDE	—
		TELE	448 × 287
	1/4"	WIDE	—
		TELE	287 × 200
Back Focal Distance (in air) (mm)		7.82	
Exit Pupil Position (From Image Plane) (mm)		-45	
Filter Thread (mm)		—	
Mount		CS	
Mass (g)		80	
Coil Resistance		Drive Coil	200Ω
		Damping Coil	600Ω
Current Consumption		22mA (Max.) at DC 4V	
Remarks		(*1) When power is turned off, iris will automatically be closed. YV2.2X1.4A-SA2L : Long Cable Type (230mm)	



[Fish-eye Lens Image]





**For Security**  
**Vari-Focal**

Applicable camera (model)

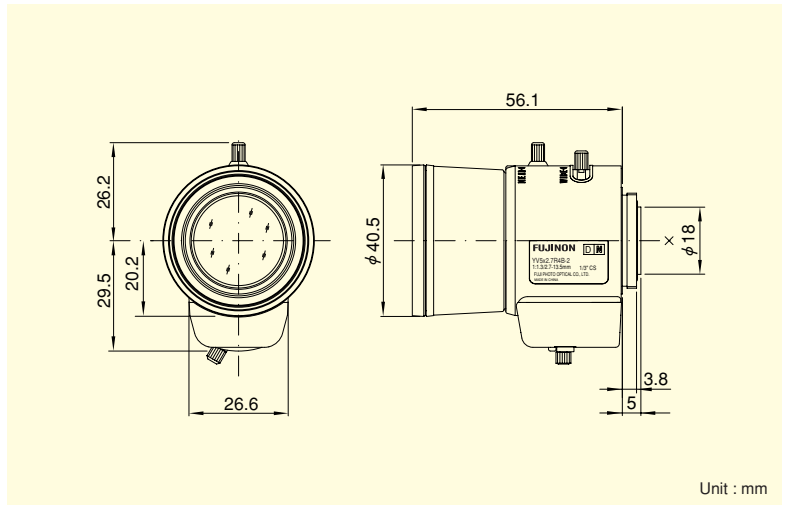
# YV5×2.7R4B-2

1	2/3	1/2	1/3	1/4
---	-----	-----	-----	-----

5×



<b>VARI</b> Vari-Focal	<b>WIDE</b> Wide Angle	<b>TELE</b> Telephoto Long Focal	<b>Day~ Night</b> Day & Night	<b>MANUAL</b> Manual Iris	<b>CS-mt</b> CS Mount	<b>METAL</b> Metal Mount
					<b>AT</b> Aspherical Lens	<b>F1.3</b> Wide Aperture Rate



Unit : mm

- Advanced design engineering and special optic glass adopted, best suited for color, monochrome and day and night cameras
- Wide range of f2.7-13.5mm, supporting various applications
- Wide aperture of F1.3, optimizing the performance at low lighting intensity
- High accuracy aspheric lens adopted, achieving the high quality image

VARI-FOCAL LENSES

Fixed Focal (mm)		2.7~13.5 (5×)	
Iris Range		F1.3 ~ Close	
Operation	Zoom	Manual	
	Focus	Manual	
	Iris	Manual	
Angle Of View (H×V)	1/3"	WIDE	99°42' × 74°17'
		TELE	20°37' × 15°30'
	1/4"	WIDE	74°17' × 55°26'
		TELE	15°30' × 11°38'
Focusing Range (From Front Of The Lens) (m)		∞ ~ 0.3	
Object Dimensions at M.O.D. (H×V) (mm)	1/3"	WIDE	741 × 473
		TELE	115 × 86
	1/4"	WIDE	473 × 328
		TELE	86 × 64
Back Focal Distance (in air) (mm)		8.91	
Exit Pupil Position (From Image Plane) (mm)		96	
Filter Thread (mm)		—	
Mount		CS	
Mass (g)		65	
Remarks		•Metal Mount	



**For Security**  
**Vari-Focal**

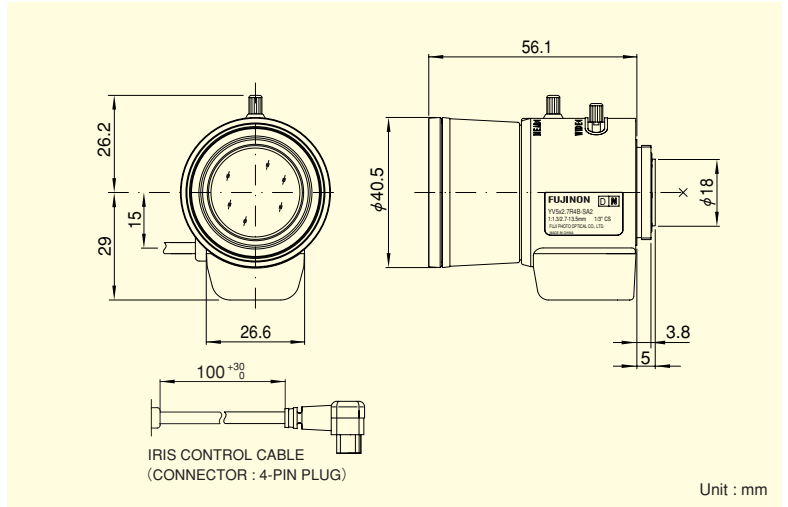
Applicable camera (model)

# YV5×2.7R4B-SA2

1	2/3	1/2	1/3	1/4
---	-----	-----	-----	-----

<b>VARI</b> Vari-Focal	<b>WIDE</b> Wide Angle	<b>TELE</b> Telephoto Long Focal	<b>Day~Night</b> Day & Night	<b>DC</b> DC Auto Iris	<b>CS-mt</b> CS Mount	<b>METAL</b> Metal Mount
<b>ND</b> ND Filter	<b>230</b> Long Cable	<b>AT</b> Aspherical Lens	<b>F1.3</b> Wide Aperture Rate			

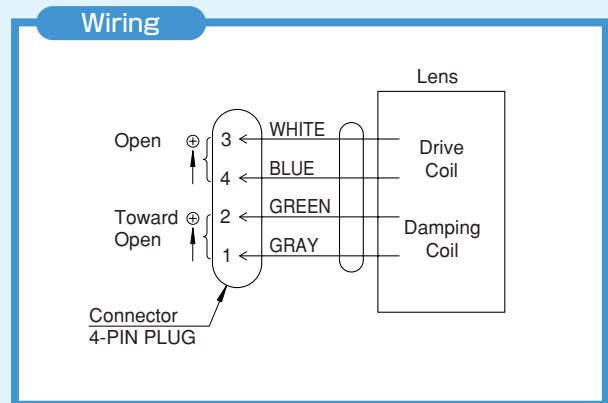
5×



- Advanced design engineering and special optic glass adopted, best suited for color, monochrome and day and night cameras
- Wide range of f2.7-13.5mm, supporting various applications
- Wide aperture of F1.3, optimizing the performance at low lighting intensity
- High accuracy aspheric lens adopted, achieving the high quality image
- Built-in ND filter of T360, supporting super sensitive cameras

VARI-FOCAL LENSES

Focal Length (mm)		2.7~13.5 (5×)	
Iris Range		F1.3 ~ T360 (Equivalent to F360)	
Operation	Zoom	Manual	
	Focus	Manual	
	Iris	Auto (DC Type) (*1)	
Angle Of View (H×V)	1/3"	WIDE	99°42' × 74°17'
		TELE	20°37' × 15°30'
	1/4"	WIDE	74°17' × 55°26'
		TELE	15°30' × 11°38'
Focusing Range (From Front Of The Lens) (m)		∞ ~ 0.3	
Object Dimensions at M.O.D. (H×V) (mm)	1/3"	WIDE	741 × 473
		TELE	115 × 86
	1/4"	WIDE	473 × 328
		TELE	86 × 64
Back Focal Distance (in air) (mm)		8.91	
Exit Pupil Position (From Image Plane) (mm)		96	
Filter Thread (mm)		—	
Mount		CS	
Mass (g)		70	
Coil Resistance		Drive Coil	200Ω
		Damping Coil	720Ω
Current Consumption		22mA (Max.) at DC 4V	
Remarks		• With Metal Mount (*1) When power is turned off, iris will automatically be closed. YV5×2.7R4B-SA2L : Long Cable Type (230mm)	





**For Security**  
**Vari-Focal**

Applicable camera (model)

**YV2.7×2.9LA-2**

1	2/3	1/2	1/3	1/4
---	-----	-----	-----	-----

**VARI**  
Vari-Focal

**WIDE**  
Wide Angle

**MANUAL**  
Manual Iris

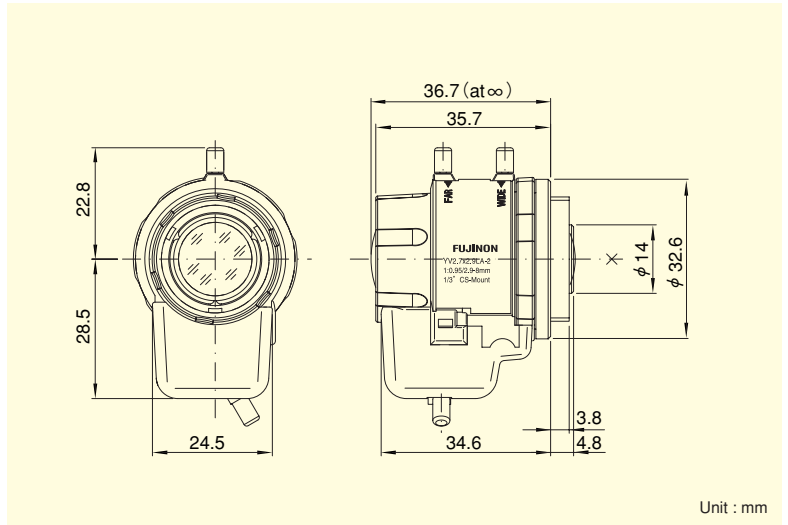
**CS-mt**  
CS Mount

**METAL**  
Metal Mount

**AT**  
Aspherical Lens

**F0.95**  
Wide Aperture Rate

**2.7×**



Unit : mm

- Unparalleled brightness at the maximum aperture of F0.95, optimizing the performance at low lighting intensity
- Super wide angle spec, WIDE2.9mm, achieving the horizontal field angle of 93 degrees (when used on 1/3 cameras)
- Compact and lightweight design, best suited for the use with dome cameras
- High accuracy aspheric lens adopted, achieving the high quality image

VARI-FOCAL LENSES

Focal Length (mm)		2.9~8 (2.7×)	
Iris Range		F0.95 ~ Close	
Operation	Zoom	Manual	
	Focus	Manual	
	Iris	Manual	
Angle Of View (H×V)	1/3"	WIDE	93°34' × 68°46'
		TELE	34°53' × 26°09'
	1/4"	WIDE	68°42' × 51°12'
		TELE	26°06' × 19°36'
Focusing Range (From Front Of The Lens) (m)		∞ ~ 0.3	
Object Dimensions at M.O.D. (H×V) (mm)	1/3"	WIDE	650 × 422
		TELE	194 × 143
	1/4"	WIDE	488 × 317
		TELE	146 × 107
Back Focal Distance (in air) (mm)		7.7	
Exit Pupil Position (From Image Plane) (mm)		62	
Filter Thread (mm)		—	
Mount		CS	
Mass (g)		35	
Remarks		•Metal Mount	



**For Security**  
**Vari-Focal**

# YV2.7×2.9LA-SA2

Applicable camera (model)

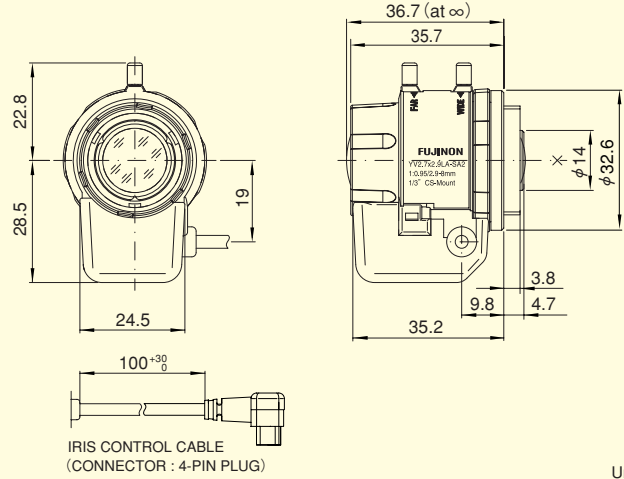
1	2/3	1/2	1/3	1/4
---	-----	-----	-----	-----

<b>VARI</b> Vari-Focal	<b>WIDE</b> Wide Angle	<b>DC</b> DC Auto Iris	<b>CS-mt</b> CS Mount	<b>METAL</b> Metal Mount	<b>ND</b> ND Filter	<b>230</b> Long Cable
					<b>AT</b> Aspherical Lens	<b>F0.95</b> Wide Aperture Rate

2.7×



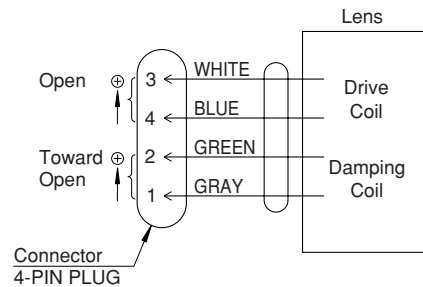
- Unparalleled brightness at the maximum aperture of F0.95, optimizing the performance at low lighting intensity
- Super wide angle spec, WIDE2.9mm, achieving the horizontal field angle of 93 degrees (when used on 1/3 cameras)
- Compact and lightweight design, best suited for the use with dome cameras
- High accuracy aspheric lens adopted, achieving the high quality image
- Built-in ND filter of T360, supporting super sensitive cameras



VARI-FOCAL LENSES

Focal Length (mm)		2.9~8 (2.7×)	
Iris Range		F0.95 ~ T360 (Equivalent to F360)	
Operation	Zoom	Manual	
	Focus	Manual	
	Iris	Auto (DC Type) (*1)	
Angle Of View (H×V)	1/3"	WIDE	93°34' × 68°46'
		TELE	34°53' × 26°09'
	1/4"	WIDE	68°42' × 51°12'
		TELE	26°06' × 19°36'
Focusing Range (From Front Of The Lens) (m)		∞ ~ 0.3	
Object Dimensions at M.O.D. (H×V) (mm)	1/3"	WIDE	650 × 422
		TELE	194 × 143
	1/4"	WIDE	488 × 317
		TELE	146 × 107
Back Focal Distance (in air) (mm)		7.7	
Exit Pupil Position (From Image Plane) (mm)		62	
Filter Thread (mm)		—	
Mount		CS	
Mass (g)		45	
Coil Resistance		Drive Coil	200Ω
		Damping Coil	720Ω
Current Consumption		22mA (Max.) at DC 4V	
Remarks		• With Metal Mount (*1) When power is turned off, iris will automatically be closed. YV2.7×2.9LA-SA2L : Long Cable Type (230mm)	

## Wiring



White version matching the camera design  
YV2.7×2.9LA-SA4



**For Security**  
**Vari-Focal**

# YV2.3×6A-2

Applicable camera (model)

1	2/3	1/2	1/3	1/4

**VARI**  
Vari-Focal

**TELE**  
Telephoto  
Long Focal

**MANUAL**  
Manual Iris

**CS-mt**  
CS Mount

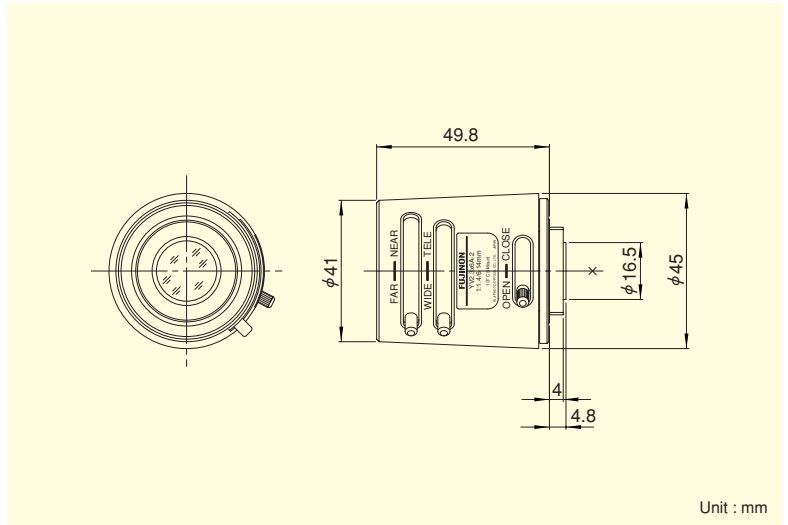
**F1.4**  
Wide Aperture  
Rate

**2.3×**



\*Photograph is a similar model.

- Telephoto vari-focal lens with the horizontal field angle of 43-19 degrees (when used on 1/3 cameras)
- Wide aperture of F1.4, optimizing the performance at low lighting intensity



Focal Length (mm)		6~14 (2.3×)	
Iris Range		F1.4 ~ Close	
Operation	Zoom	Manual	
	Focus	Manual	
	Iris	Manual	
Angle Of View (H×V)	1/3"	WIDE	43°36' × 33°24'
		TELE	19°27' × 14°39'
	1/4"	WIDE	33°24' × 25°22'
		TELE	14°39' × 11°01'
Focusing Range (From Front Of The Lens) (m)		∞ ~ 0.3	
Object Dimensions at M.O.D. (H×V) (mm)	1/3"	WIDE	256 × 192
		TELE	109 × 82
	1/4"	WIDE	192 × 144
		TELE	82 × 62
Back Focal Distance (in air) (mm)		8.58	
Exit Pupil Position (From Image Plane) (mm)		-27	
Filter Thread (mm)		—	
Mount		CS	
Mass (g)		60	
Remarks			

VARI-FOCAL LENSES



**For Security**  
**Vari-Focal**

# YV2.3×6A-SA2

Applicable camera (model)

1	2/3	1/2	1/3	1/4
---	-----	-----	-----	-----

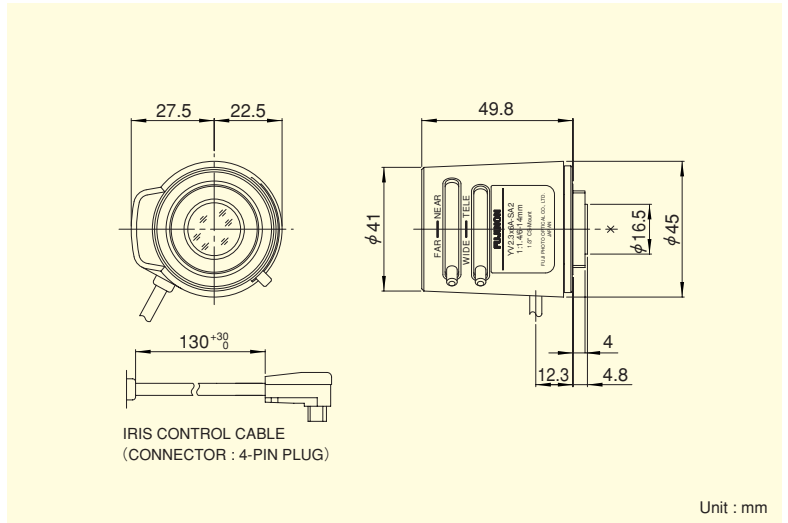
- VARI**  
Vari-Focal
- TELE**  
Telephoto Long Focal
- DC**  
DC Auto Iris
- CS-mt**  
CS Mount
- ND**  
ND Filter
- 230**  
Long Cable
- F1.4**  
Wide Aperture Rate

**2.3x**



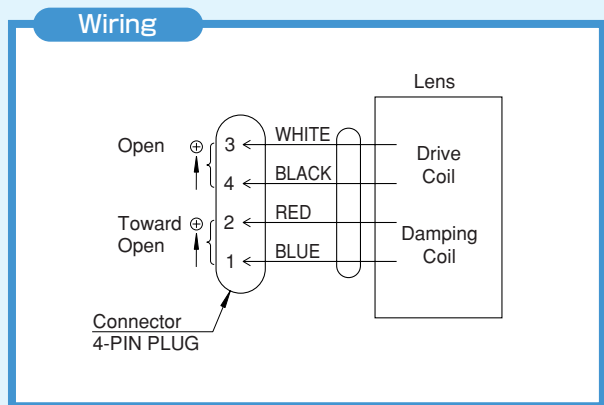
\*Photograph is a similar model.

- Telephoto vari-focal lens with the horizontal field angle of 43-19 degrees (when used on 1/3 cameras)
- Wide aperture of F1.4, optimizing the performance at low lighting intensity
- Built-in ND filter of T360, supporting super sensitive cameras



VARI-FOCAL LENSES

Focal Length (mm)		6~14 (2.3x)	
Iris Range		F1.4 ~ T360 (Equivalent to F360)	
Operation	Zoom	Manual	
	Focus	Manual	
Angle Of View (H×V)	1/3"	WIDE	43°36' × 33°24'
		TELE	19°27' × 14°39'
	1/4"	WIDE	33°24' × 25°22'
		TELE	14°39' × 11°
Focusing Range (From Front Of The Lens) (m)		∞ ~ 0.3	
Object Dimensions at M.O.D. (H×V) (mm)	1/3"	WIDE	256 × 192
		TELE	109 × 82
	1/4"	WIDE	192 × 144
		TELE	82 × 62
Back Focal Distance (in air) (mm)		8.58	
Exit Pupil Position (From Image Plane) (mm)		-27	
Filter Thread (mm)		—	
Mount		CS	
Mass (g)		70	
Coil Resistance		Drive Coil	200Ω
		Damping Coil	600Ω
Current Consumption		22mA (Max.) at DC 4V	
Remarks		(*1) When power is turned off, iris will automatically be closed. <b>YV2.3×6A-SA2L :</b> Long Cable Type (230mm)	





**For Security**  
**Vari-Focal**

# YV10×5B-2

Applicable camera (model)

1	2/3	1/2	1/3	1/4
---	-----	-----	-----	-----

**VARI**  
Vari-Focal

**WIDE**  
Wide Angle

**TELE**  
Telephoto  
Long Focal

**MANUAL**  
Manual Iris

**CS-mt**  
CS Mount

**METAL**  
Metal Mount

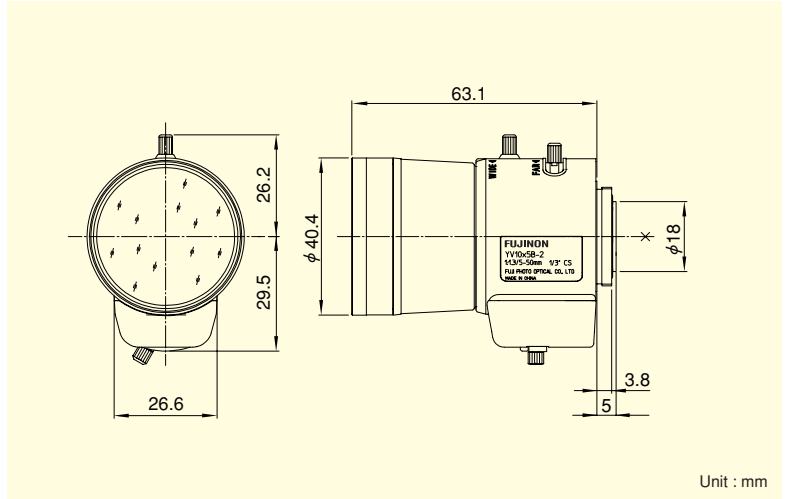
**AT**  
Aspherical Lens

**F1.3**  
Wide Aperture  
Rate

10×



- Telephoto, wide range vari-focal lens with the horizontal field angle of 51-5 degrees (when used on 1/3 cameras)
- Wide range of f5-50mm, supporting various applications
- Wide aperture of F1.3, optimizing the performance at low lighting intensity



Unit : mm

Focal Length (mm)		5~50 (10×)	
Iris Range		F1.3 ~ Close	
Operation	Zoom	Manual	
	Focus	Manual	
	Iris	Manual	
Angle Of View (H×V)	1/3"	WIDE	51°59' × 39°12'
		TELE	5°24' × 4°05'
	1/4"	WIDE	39°12' × 29°30'
		TELE	4°05' × 3°05'
Focusing Range (From Front Of The Lens) (m)		∞ ~ 0.3	
Object Dimensions at M.O.D. (H×V) (mm)	1/3"	WIDE	315 × 230
		TELE	62 × 47
	1/4"	WIDE	230 × 170
		TELE	47 × 35
Back Focal Distance (in air) (mm)		10.83	
Exit Pupil Position (From Image Plane) (mm)		292	
Filter Thread (mm)		—	
Mount		CS	
Mass (g)		95	
Remarks		•Metal Mount	



**For Security**  
**Vari-Focal**

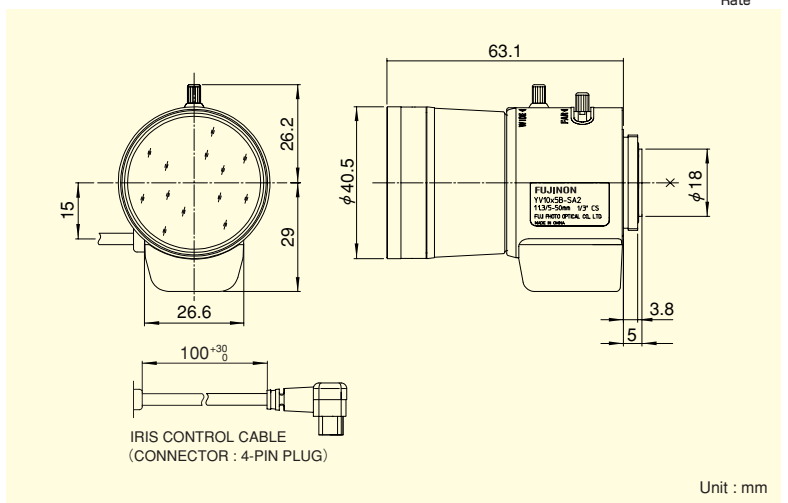
# YV10×5B-SA2

Applicable camera (model)

1	2/3	1/2	1/3	1/4
---	-----	-----	-----	-----

<b>VARI</b> Vari-Focal	<b>WIDE</b> Wide Angle	<b>TELE</b> Telephoto Long Focal	<b>DC</b> DC Auto Iris	<b>CS-mt</b> CS Mount	<b>METAL</b> Metal Mount	<b>ND</b> ND Filter
				<b>230</b> Long Cable	<b>AT</b> Aspherical Lens	<b>F1.3</b> Wide Aperture Rate

10×

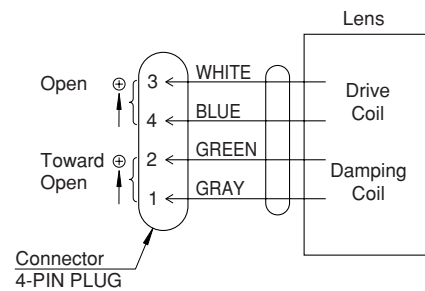


- Telephoto, wide range vari-focal lens with the horizontal field angle of 51-5 degrees (when used on 1/3 cameras)
- Wide range of f5-50mm, supporting various applications
- Wide aperture of F1.3, optimizing the performance at low lighting intensity
- Built-in ND filter of T360, supporting super sensitive cameras

VARI-FOCAL LENSES

Focal Length (mm)		5~50 (10×)	
Iris Range		F1.3 ~ T360 (Equivalent to F360)	
Operation	Zoom	Manual	
	Focus	Manual	
	Iris	Auto (DC Type) (*1)	
Angle Of View (H×V)	1/3"	WIDE	51°59' × 39°12'
		TELE	5°24' × 4°05'
	1/4"	WIDE	39°12' × 29°30'
		TELE	4°05' × 3°05'
Focusing Range (From Front Of The Lens) (m)		∞ ~ 0.3	
Object Dimensions at M.O.D. (H×V) (mm)	1/3"	WIDE	315 × 230
		TELE	62 × 47
	1/4"	WIDE	230 × 170
		TELE	47 × 35
Back Focal Distance (in air) (mm)		10.83	
Exit Pupil Position (From Image Plane) (mm)		292	
Filter Thread (mm)		—	
Mount		CS	
Mass (g)		100	
Coil Resistance		Drive Coil	200Ω
		Damping Coil	720Ω
Current Consumption		22mA (Max.) at DC 4V	
Remarks		• With Metal Mount (*1) When power is turned off, iris will automatically be closed. YV10×5B-SA2L : Long Cable Type (230mm)	

## Wiring





**For Security**  
**Vari-Focal**

Applicable camera (model)

# DV5×3.6R4B-2

1	2/3	1/2	1/3	1/4
---	-----	-----	-----	-----

**VARI**  
Vari-Focal

**WIDE**  
Wide Angle

**TELE**  
Telephoto  
Long Focal

**Day~Night**  
Day & Night

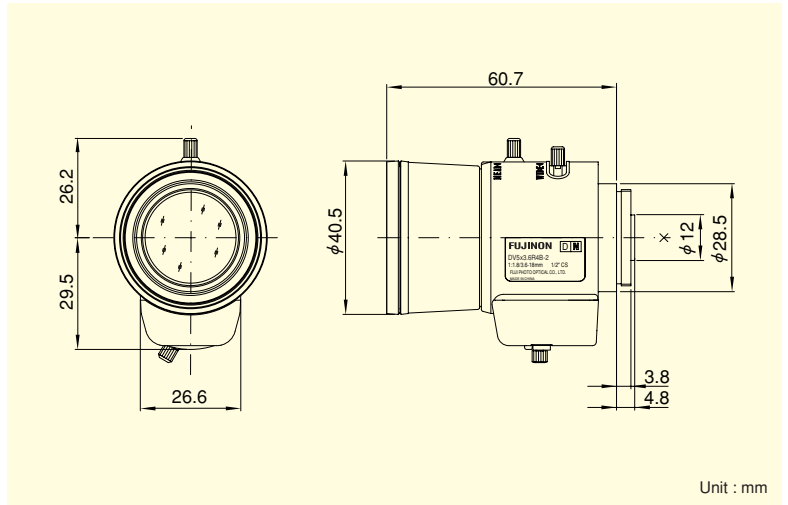
**MANUAL**  
Manual Iris

**CS-mt**  
CS Mount

**METAL**  
Metal Mount

**AT**  
Aspherical Lens

5×



- Advanced design engineering and special optic glass adopted, best suited for color, monochrome and day and night cameras
- Compatible with a wide range - 1/2", 1/3" and 1/4" - cameras
- Wide range of f3.6-18mm, supporting various applications
- High accuracy aspheric lens adopted, achieving the high quality image

VARI-FOCAL LENSES

Focal Length (mm)		3.6~18 (5×)	
Iris Range		F1.8 ~ Close	
Operation	Zoom	Manual	
	Focus	Manual	
		Iris	
		Manual	
Angle Of View (H×V)	1/2"	WIDE	95°54' × 72°24'
		TELE	19°57' × 15°09'
	1/3"	WIDE	72°24' × 54°25'
		TELE	15°09' × 11°38'
	1/4"	WIDE	54°25' × 40°50'
		TELE	11°38' × 8°37'
Focusing Range (From Front Of The Lens) (m)		∞ ~ 0.3	
Object Dimensions at M.O.D. (H×V) (mm)	1/2"	WIDE	694 × 457
		TELE	110 × 83
	1/3"	WIDE	457 × 321
		TELE	83 × 62
	1/4"	WIDE	321 × 232
		TELE	62 × 47
Back Focal Distance (in air) (mm)		7.87	
Exit Pupil Position (From Image Plane) (mm)		-81	
Filter Thread (mm)		—	
Mount		CS	
Mass (g)		65	
Remarks		•Metal Mount	



**For Security**  
**Vari-Focal**

Applicable camera (model)

# DV5×3.6R4B-SA2

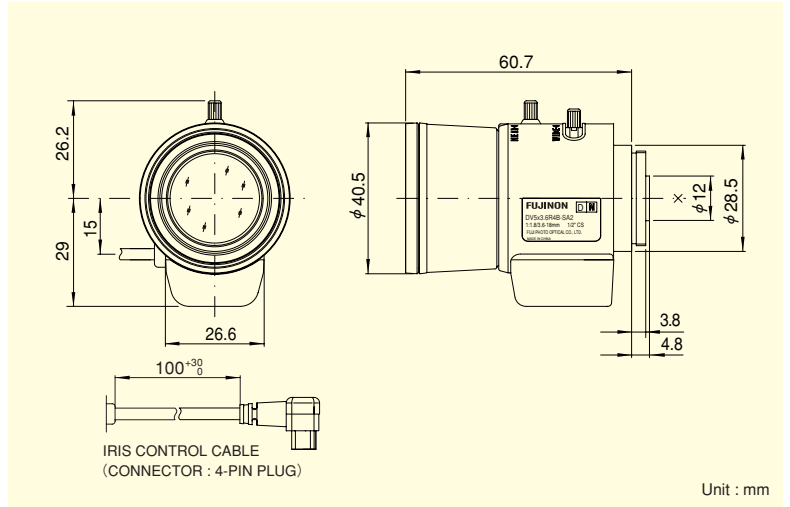
1	2/3	1/2	1/3	1/4
---	-----	-----	-----	-----

5×



\*Photograph is a similar model.

<b>VARI</b> Vari-Focal	<b>WIDE</b> Wide Angle	<b>TELE</b> Telephoto Long Focal	<b>Day~Night</b> Day & Night	<b>DC</b> DC Auto Iris	<b>CS-mt</b> CS Mount	<b>METAL</b> Metal Mount
<b>ND</b> ND Filter	<b>230</b> Long Cable	<b>AT</b> Aspherical Lens				

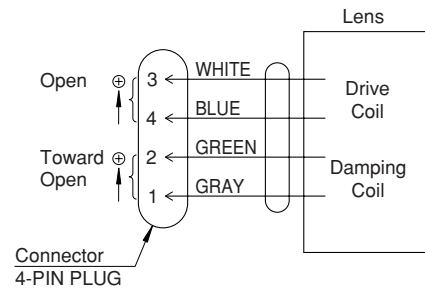


- Advanced design engineering and special optic glass adopted, best suited for color, monochrome and day and night cameras
- Compatible with a wide range - 1/2", 1/3" and 1/4" - cameras
- Wide range of f3.6-18mm, supporting various applications
- High accuracy aspheric lens adopted, achieving the high quality image
- Built-in ND filter of T360, supporting super sensitive cameras

VARI-FOCAL LENSES

Focal Length (mm)		3.6~18 (5×)	
Iris Range		F1.8 ~ T360 (Equivalent to F360)	
Operation	Zoom	Manual	
	Focus	Manual	
	Iris	Auto (DC Type) (*1)	
Angle Of View (H×V)	1/2"	WIDE	95°54' × 72°24'
		TELE	19°57' × 15°09'
	1/3"	WIDE	72°24' × 54°25'
		TELE	15°09' × 11°38'
	1/4"	WIDE	54°25' × 40°50'
		TELE	11°38' × 8°37'
Focusing Range (From Front Of The Lens) (m)		∞ ~ 0.3	
Object Dimensions at M.O.D. (H×V) (mm)	1/2"	WIDE	694 × 457
		TELE	110 × 83
	1/3"	WIDE	457 × 321
		TELE	83 × 62
	1/4"	WIDE	321 × 232
		TELE	62 × 47
Back Focal Distance (in air) (mm)		7.87	
Exit Pupil Position (From Image Plane) (mm)		-81	
Filter Thread (mm)		—	
Mount		CS	
Mass (g)		75	
Coil Resistance		Drive Coil	200Ω
		Damping Coil	720Ω
Current Consumption		22mA (Max.) at DC 4V	
Remarks	<ul style="list-style-type: none"> <li>• With Metal Mount</li> <li>(*1) When power is turned off, iris will automatically be closed.</li> </ul> DV5×3.6R4B-SA2L : Long Cable Type (230mm)		

## Wiring





**For Security**  
**Vari-Focal**

# DV2.2×4.5A-2

Applicable camera (model)



**VARI**  
Vari-Focal

**MANUAL**  
Manual Iris

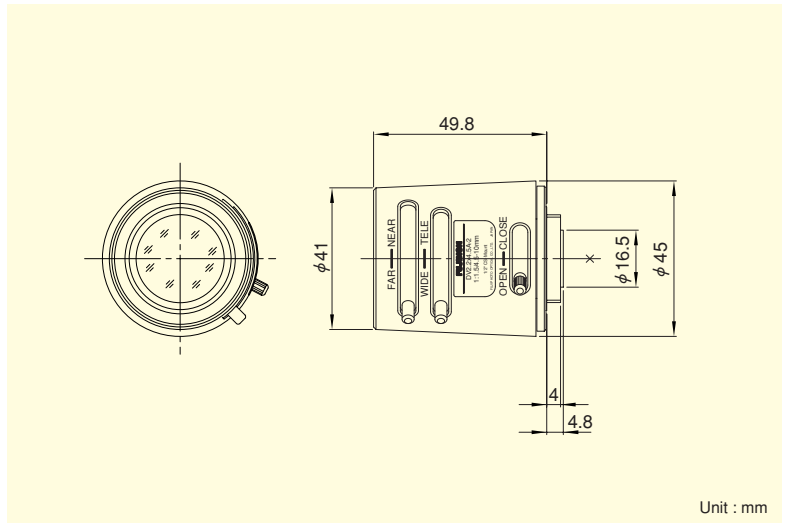
**CS-mt**  
CS Mount

2.2×



\*Photograph is a similar model.

- Compatible with a wide range - 1/2", 1/3" and 1/4" - cameras



Unit : mm

Focal Length (mm)		4.5~10 (2.2×)	
Iris Range		F1.5 ~ Close	
Operation	Zoom	Manual	
	Focus	Manual	
	Iris	Manual	
Angle Of View (H×V)	1/2"	WIDE	82°58' × 60°45'
		TELE	35°35' × 26°41'
	1/3"	WIDE	60°45' × 45°03'
		TELE	26°41' × 20°01'
	1/4"	WIDE	45°03' × 33°35'
		TELE	20°01' × 15°01'
Focusing Range (From Front Of The Lens) (m)		$\infty \sim 0.3$	
Object Dimensions at M.O.D. (H×V) (mm)	1/2"	WIDE	547 × 363
		TELE	203 × 150
	1/3"	WIDE	363 × 261
		TELE	150 × 111
	1/4"	WIDE	261 × 190
		TELE	111 × 83
Back Focal Distance (in air) (mm)		8.34	
Exit Pupil Position (From Image Plane) (mm)		-24.9	
Filter Thread (mm)		—	
Mount		CS	
Mass (g)		60	
Remarks			



**For Security**  
**Vari-Focal**

# DV2.2×4.5A-SA2

Applicable camera (model)

1	2/3	1/2	1/3	1/4
---	-----	-----	-----	-----

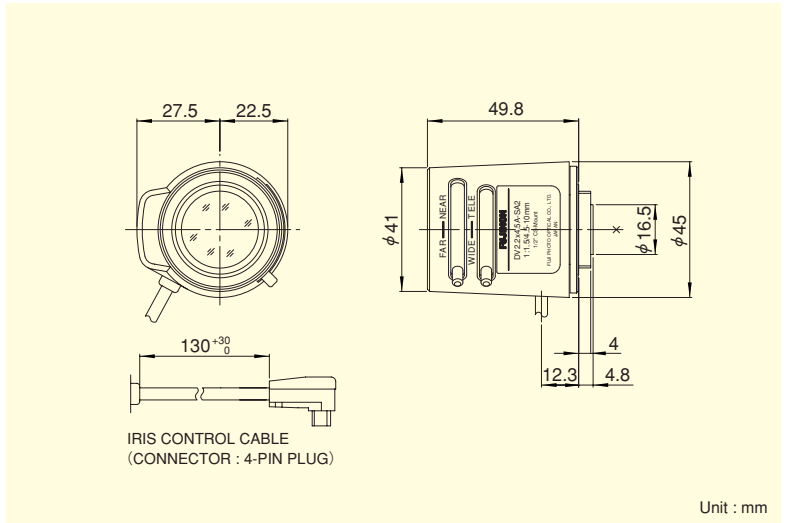


2.2x



\*Photograph is a similar model.

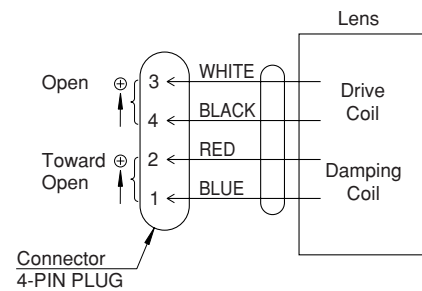
- Compatible with a wide range - 1/2", 1/3" and 1/4" - cameras
- Built-in ND filter of T360, supporting super sensitive cameras



VARI-FOCAL LENSES

Focal Length (mm)		4.5~10 (2.2x)		
Iris Range		F1.5 ~ T360 (Equivalent to F360)		
Operation	Zoom	Manual		
	Focus	Manual		
	Iris	Auto (DC Type) (*1)		
	Angle Of View (H×V)			
1/2"	WIDE	82°58' × 60°45'		
		35°35' × 26°41'		
	1/3"	WIDE	60°45' × 45°03'	
		TELE	26°41' × 20°01'	
	1/4"	WIDE	45°03' × 33°35'	
		TELE	20°01' × 15°01'	
Focusing Range (From Front Of The Lens) (m)		∞ ~ 0.3		
Object Dimensions at M.O.D. (H×V) (mm)	1/2"	WIDE	547 × 363	
		TELE	203 × 150	
	1/3"	WIDE	363 × 261	
		TELE	150 × 111	
	1/4"	WIDE	261 × 190	
		TELE	111 × 83	
Back Focal Distance (in air) (mm)		8.34		
Exit Pupil Position (From Image Plane) (mm)		-24.9		
Filter Thread (mm)		—		
Mount		CS		
Mass (g)		70		
Coil Resistance		Drive Coil	200Ω	
		Damping Coil	600Ω	
Current Consumption		22mA (Max.) at DC 4V		
Remarks		(*1) When power is turned off, iris will automatically be closed. DV2.2×4.5A-SA2L : Long Cable Type (230mm)		

## Wiring





**For Security**  
**Vari-Focal**

# DV10×7B-2

Applicable camera (model)

1	2/3	1/2	1/3	1/4
---	-----	-----	-----	-----

**VARI**  
Vari-Focal

**WIDE**  
Wide Angle

**TELE**  
Telephoto  
Long Focal

**MANUAL**  
Manual Iris

**CS-mt**  
CS Mount

**METAL**  
Metal Mount

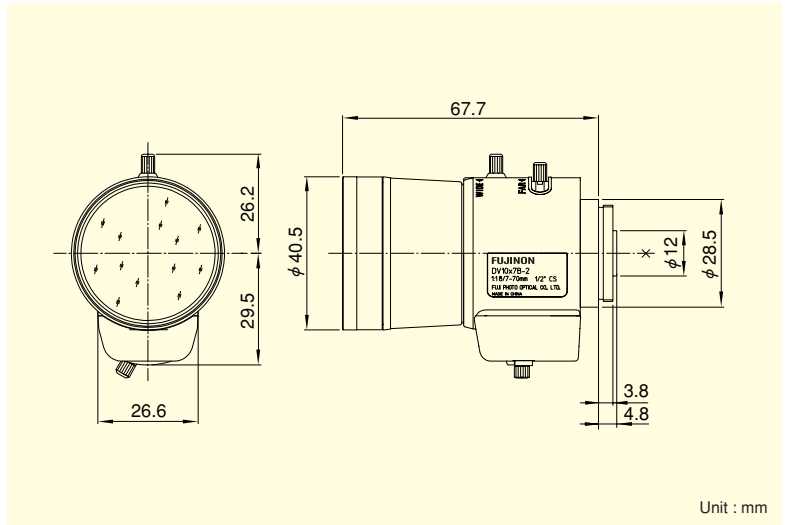
**AT**  
Aspherical Lens

10×



\*Photograph is a similar model.

- Compatible with a wide range - 1/2", 1/3" and 1/4" - cameras
- Wide range of f7-70mm, supporting various applications
- High accuracy aspheric lens adopted, achieving the high quality image



Unit : mm

VARI-FOCAL LENSES

Focal Length (mm)		7~70 (10×)	
Iris Range		F1.8 ~ Close	
Operation	Zoom	Manual	
	Focus	Manual	
	Iris	Manual	
Angle Of View (H×V)	1/2"	WIDE	50°01' × 38°12'
		TELE	5°12' × 3°59'
	1/3"	WIDE	38°12' × 28°56'
		TELE	3°59' × 3°02'
	1/4"	WIDE	28°56' × 21°49'
		TELE	3°02' × 2°17'
Focusing Range (From Front Of The Lens) (m)		∞ ~ 0.3	
Object Dimensions at M.O.D. (H×V) (mm)	1/2"	WIDE	301 × 223
		TELE	60 × 46
	1/3"	WIDE	223 × 166
		TELE	46 × 35
	1/4"	WIDE	166 × 124
		TELE	35 × 26
Back Focal Distance (in air) (mm)		7.9	
Exit Pupil Position (From Image Plane) (mm)		-62	
Filter Thread (mm)		—	
Mount		CS	
Mass (g)		95	
Remarks		•Metal Mount	



**For Security**  
**Vari-Focal**

Applicable camera (model)

# DV10×7B-SA2

1	2/3	1/2	1/3	1/4
---	-----	-----	-----	-----

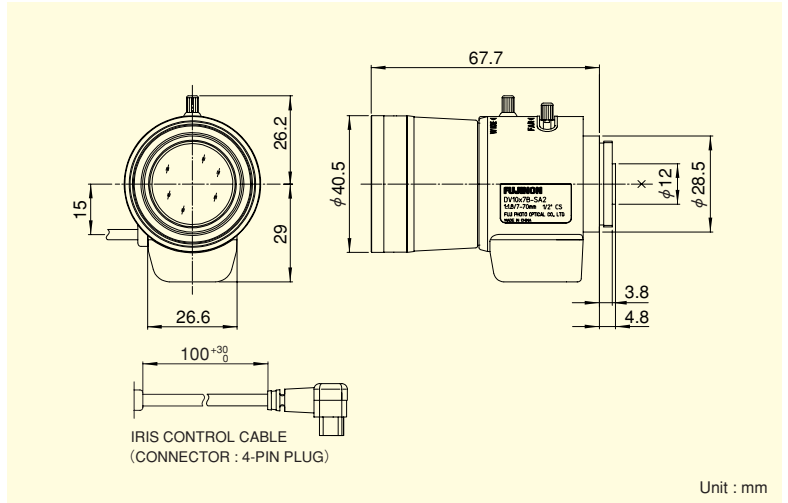
<b>VARI</b> Vari-Focal	<b>WIDE</b> Wide Angle	<b>TELE</b> Telephoto Long Focal	<b>DC</b> DC Auto Iris	<b>CS-mt</b> CS Mount	<b>METAL</b> Metal Mount	<b>ND</b> ND Filter
					<b>230</b> Long Cable	<b>AT</b> Aspherical Lens

10×



\*Photograph is a similar model.

- Compatible with a wide range - 1/2", 1/3" and 1/4" - cameras
- Wide range of f7-70mm, supporting various applications
- High accuracy aspheric lens adopted, achieving the high quality image
- Built-in ND filter of T360, supporting super sensitive cameras



VARI-FOCAL LENSES

Focal Length (mm)		7~70 (10×)	
Iris Range		F1.8 ~ T360 (Equivalent to F360)	
Operation	Zoom	Manual	
	Focus	Manual	
	Iris	Auto (DC Type) (*1)	
Angle Of View (H×V)	1/2"	WIDE	50°01' × 38°12'
		TELE	5°12' × 3°59'
	1/3"	WIDE	38°12' × 28°56'
		TELE	3°59' × 3°02'
	1/4"	WIDE	28°56' × 21°49'
		TELE	3°02' × 2°17'
Focusing Range (From Front Of The Lens) (m)		∞ ~ 0.3	
Object Dimensions at M.O.D. (H×V) (mm)	1/2"	WIDE	301 × 223
		TELE	60 × 46
	1/3"	WIDE	223 × 166
		TELE	46 × 35
	1/4"	WIDE	166 × 124
		TELE	35 × 26
Back Focal Distance (in air) (mm)		7.9	
Exit Pupil Position (From Image Plane) (mm)		-62	
Filter Thread (mm)		—	
Mount		CS	
Mass (g)		100	
Coil Resistance		Drive Coil	200Ω
		Damping Coil	720Ω
Current Consumption		22mA (Max.) at DC 4V	
Remarks		<ul style="list-style-type: none"> <li>• With Metal Mount</li> <li>(*1) When power is turned off, iris will automatically be closed.</li> </ul> DV10×7B-SA2L : Long Cable Type (230mm)	

## Wiring

