



For Security Zoom

Applicable camera (model)

D60×12.5BE-V41

1	2/3	1/2	1/3	1/4
---	-----	-----	-----	-----

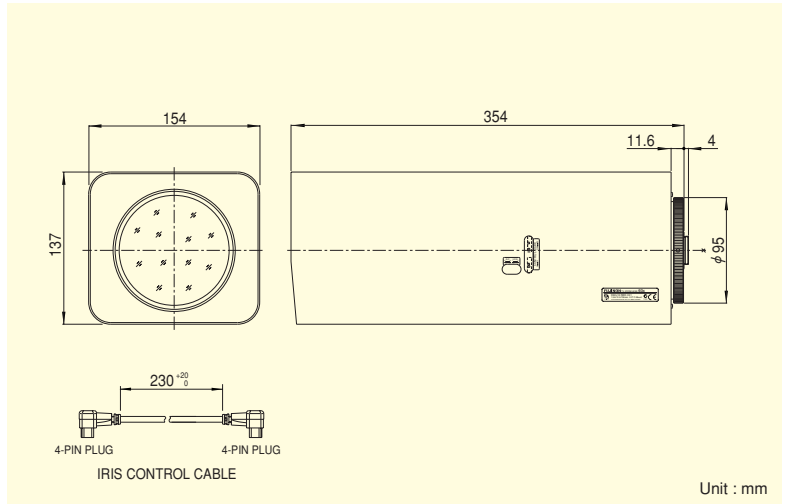
60x



*Photograph is a similar model.

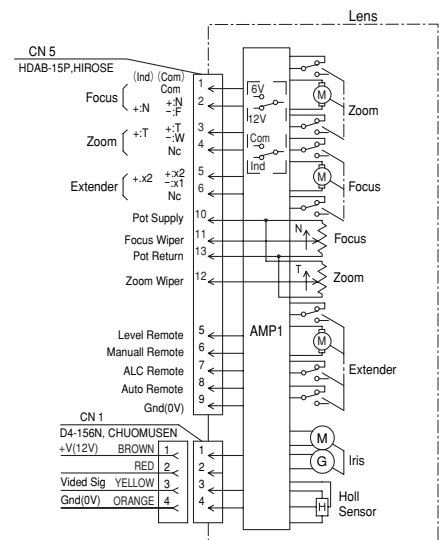
- Offering F3.8 brightness and 60x zoom (focal length of 1500mm when used with an extender), these lenses are suited for long-range surveillance, such as for seaport security.
- The compact and lightweight design allows establishment of compact remote surveillance systems.
- Equipped with a 2x extender that provides clear identification of individuals at a distance of 3km.
- Multi-power compatibility for connection to existing surveillance systems for zoom operation.
- Iris Override function allows manual iris adjustment.

ZOOM Zoom	WIDE Wide Angle	TELE Telephoto Long Focal	MOTOR DRIVE Motor Drive	VIDEO Video Auto Iris	REMOTE Remote Iris	C-mt C Mount
METAL Metal Mount	ND ND Filter	2x Extender	F3.8 Wide Aperture Rate			

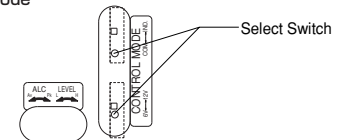


		1x	2x	
Focal Length (mm)		12.5~750 (60x)	25~1500 (60x)	
Iris Range		F3.8~T3000 (Equivalent to F3000)	F7.6~T6000 (Equivalent to F6000)	
Operation	Zoom	Motor Drive		
	Focus	Motor Drive		
		Iris Auto (Video Type) or Manual Remote		
Angle Of View (H×V)	1/2"	WIDE	28°43' × 21°44'	14°35' × 10°58'
		TELE	0°29' × 0°22'	0°15' × 0°11'
	1/3"	WIDE	21°44' × 16°23'	10°58' × 8°14'
		TELE	0°22' × 0°17'	0°11' × 0°08'
	1/4"	WIDE	16°23' × 12°20'	8°14' × 6°11'
		TELE	0°17' × 0°08'	0°08' × 0°06'
Focusing Range (From Front Of The Lens) (m)		∞ ~ 5	∞ ~ 5	
Object Dimensions at M.O.D. (H×V) (mm)	1/2"	WIDE	2465 × 1849	1233 × 924
		TELE	41 × 35	21 × 55
	1/3"	WIDE	1849 × 1837	925 × 693
		TELE	31 × 23	16 × 12
	1/4"	WIDE	1387 × 1040	693 × 520
		TELE	23 × 17	12 × 9
Back Focal Distance (in air) (mm)		53.23	53.23	
Exit Pupil Position (From Image Plane) (mm)		-64	-64	
Filter Thread (mm)		M107×1		
Mount		C		
Extender		2x		
Mass (kg)		5.1		
Standard Accessories		Iris Control Cable Connection Connector		
Remarks	• With Metal Mount			

Wiring



Control Mode



Controller output	Select switch position
6V	6V / IND.
±6V	6V / COM.
12V	12V / IND.
±12V	12V / COM.

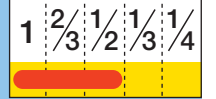
ZOOM LENSES



**For Security
Zoom**

Applicable camera (model)

C55x20D-ENSE11

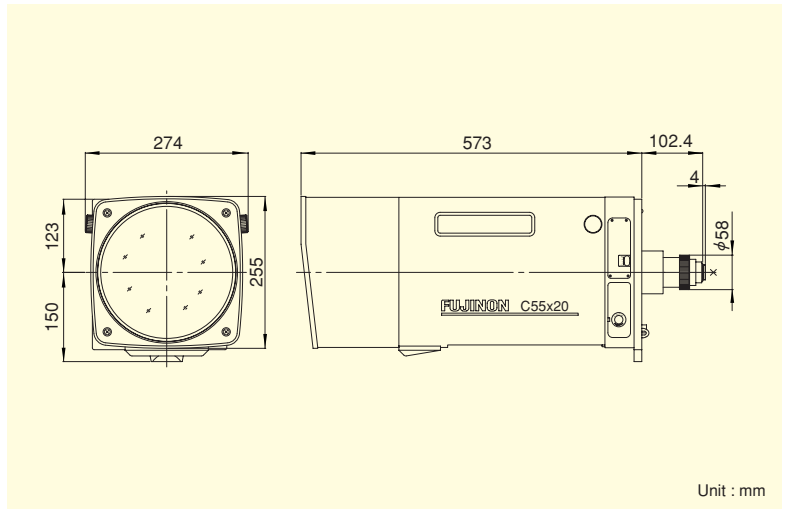


ZOOM Zoom	WIDE Wide Angle	TELE Telephoto Long Focal	MOTOR DRIVE Motor Drive	VIDEO Video Auto Iris	C-mt C Mount	METAL Metal Mount
PC PC Control	SERVO Full Servo	ND ND Filter	2x Extender	OS-TECH Stabilize Adapter	F3.0 Wide Aperture Rate	

55x



- Achieved super telephoto at the field angle of 0°10', best suited for long-distance monitoring such as gulf monitoring (when used on 1/2" cameras)
- In addition to the amazing brightness of F3.0, adopting the coating to reproduce the good image quality over the entire visible light range
- Compatible with a wide range - 1", 2/3" and 1/2" - cameras
- Built-in ND filter of T1500, supporting super sensitive cameras



ZOOM LENSES

			1x	2x		
Focal Length (mm)			20~1100 (55x)	40~2200 (55x)		
Iris Range			F3.0 ~ T1500 (Equivalent to F1500)	F6.0 ~ T3000 (Equivalent to F3000)		
Operation	Zoom		Servo Control			
	Focus		Servo Control			
	Iris		Auto (Video Type) or Servo Control			
Angle Of View (HxV)	1"	WIDE	35°29' × 26°59'	18°10' × 13°41'		
		TELE	0°40' × 0°30'	0°20' × 0°15'		
	2/3"	WIDE	24°49' × 18°44'	12°25' × 9°22'		
		TELE	0°27' × 0°21'	0°44' × 0°10'		
	1/2"	WIDE	18°11' × 13°41'	9°06' × 6°52'		
		TELE	0°20' × 0°15'	0°10' × 0°08'		
Focusing Range (From Front Of The Lens) (m)			∞ ~ 2.4	∞ ~ 2.4		
Object Dimensions at M.O.D. (HxV) (mm)	1"	WIDE	1400 × 1051	700 × 525		
		TELE	25 × 19	13 × 10		
	2/3"	WIDE	963 × 723	482 × 361		
		TELE	17 × 13	9 × 7		
	1/2"	WIDE	700 × 525	350 × 263		
		TELE	13 × 10	6 × 5		
Back Focal Distance (in air) (mm)			28.04	28.04		
Exit Pupil Position (From Image Plane) (mm)			-163	-131		
Mount			C			
Extender			2x			
Mass (kg)			20			
Control Unit			CRD-40 (Option)			
Remarks			•With Metal Mount [Electrical Specification] Power Supply : DC 12V (DC 11~16V) Current Consumption : 2.1A (Max.)			
			Zoom	Focus	Iris	Extender
CONTROL SIGNAL	TELE : 2.5V WIDE : 7.5V	NEAR : 2.5V FAR : 7.5V	AUTO / VIDEO (1Vp-p) / REMOTE / OPEN:7V, CLOSE:2V		1x : ∞ 2x : +V	
Current Consumption	670mA (Max.)	670mA (Max.)	100mA (Max.)		200mA (Max.)	
OPERATING TIME	1s. (Max.)	1s. (Max.)	1s. (Max.)		1s. (Max.)	



For Security Zoom

Applicable camera (model)

C22×17B-S41

1	2/3	1/2	1/3	1/4
---	-----	-----	-----	-----

ZOOM
Zoom

WIDE
Wide Angle

TELE
Telephoto Long Focal

MOTOR DRIVE
Motor Drive

VIDEO
Video Auto Iris

C-mt
C Mount

METAL
Metal Mount

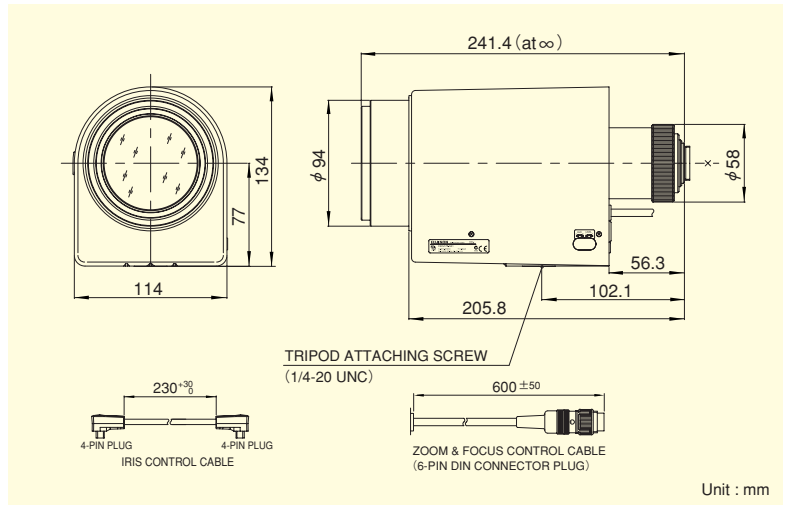
ND
ND Filter

F2.3
Wide Aperture Rate

22×

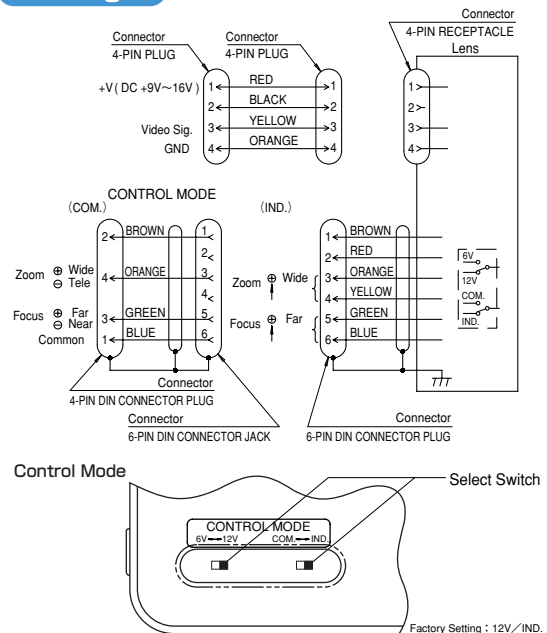


- Achieved super telephoto at the field angle of 0°59', best suited for long-distance monitoring such as disaster prevention (when used on 1/2" cameras)
- Multiple power supply (6V, ±6V, 12V, ±12V) supported, enabling the use of existing control systems
- Compatible with a wide range - 1", 2/3" and 1/2" - cameras
- Built-in ND filter of T3000, supporting super sensitive cameras



Focal Length (mm)		17~374 (22×)	
Iris Range		F2.3 ~ T3000 (Equivalent to F3000)	
Operation	Zoom	Motor Drive	
	Focus	Motor Drive	
	Iris	Auto (Video Type)	
Angle Of View (H×V)	1"	WIDE	41°16' × 31°32'
		TELE	1°58' × 1°28'
	2/3"	WIDE	29°01' × 21°58'
		TELE	1°21' × 1°01'
	1/2"	WIDE	21°19' × 16°04'
		TELE	0°59' × 0°44'
Focusing Range (From Front Of The Lens) (m)		∞ ~ 3	
Object Dimensions at M.O.D. (H×V) (mm)	1"	WIDE	2178 × 1633
		TELE	99 × 74
	2/3"	WIDE	1497 × 1123
		TELE	68 × 51
	1/2"	WIDE	1089 × 817
		TELE	50 × 37
Back Focal Distance (in air) (mm)		67.38	
Exit Pupil Position (From Image Plane) (mm)		-127	
Filter Thread (mm)		M82 × 0.75	
Mount		C	
Mass (kg)		2.5	
Standard Accessories		Iris Control Cable Conversion Cable (6-pin→4-pin) Connection Connector (4-pin, 6-pin)	
Remarks		• With Metal Mount	

Wiring



Controller output	Select switch position	Conversion cable (Standard accessory)
6V	6V / IND.	Not necessary
±6V	6V / COM.	Necessary
12V	12V / IND.	Not necessary
±12V	12V / COM.	Necessary

Accessories

Extender

Model	Magnification
HE15-1	1.5×
HE20-1	2×

Control Unit

Model	CRD-2A	CRD-2B
Operation	Zoom, Focus	
Power Source	AC 100V/120V/220V/240V 50/60Hz	

AC Power Cord

Japan	PCA-1
U.S.A./Canada	PCA-2
Continental Europe	PCA-3
Australia	PCA-4
Without AC Plug	PCA-5

Extension Cable

CRD-2A	CEC-AA102-11 (10m)	CEC-AA202-11 (20m)
CRD-2B	CEC-AB102-11 (10m)	CEC-AB202-11 (20m)



For Security Zoom

Applicable camera (model)

C22x17B-Y41

1	2/3	1/2	1/3	1/4
---	-----	-----	-----	-----

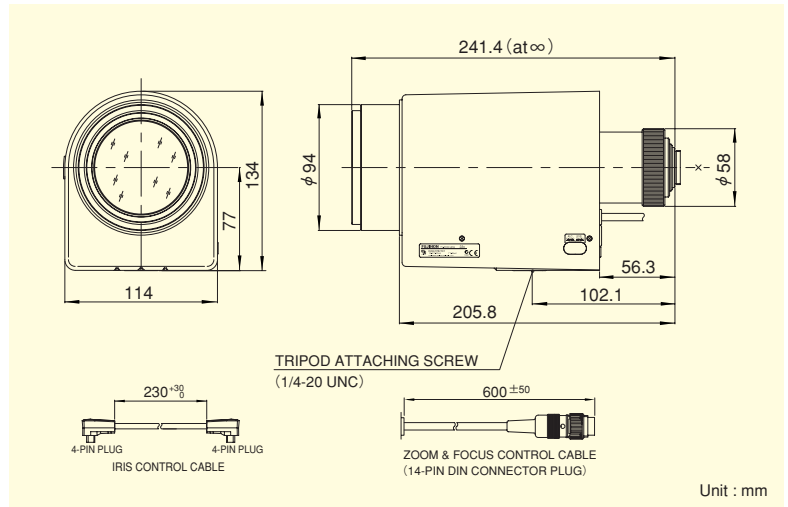
22x



*Photograph is a similar model.

ZOOM Zoom	WIDE Wide Angle	TELE Telephoto Long Focal	MOTOR DRIVE Motor Drive	VIDEO Video Auto Iris	C-mt C Mount	METAL Metal Mount
PRESET Potentiometer	N D ND Filter	F2.3 Wide Aperture Rate				

- Achieved telephoto at the field angle of 0°59', best suited for long-distance monitoring such as disaster prevention (when used on 1/2" cameras)
- Multiple power supply (6V, ±6V, 12V, ±12V) supported, enabling the use of existing control systems
- Built-in potentiometer, supporting the preset-enabled specification
- Compatible with a wide range - 1", 2/3" and 1/2" - cameras
- Built-in ND filter of T3000, supporting super sensitive cameras

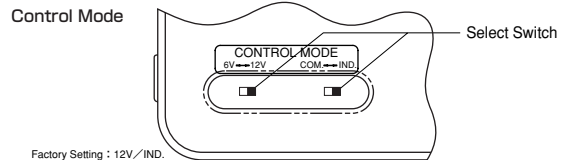
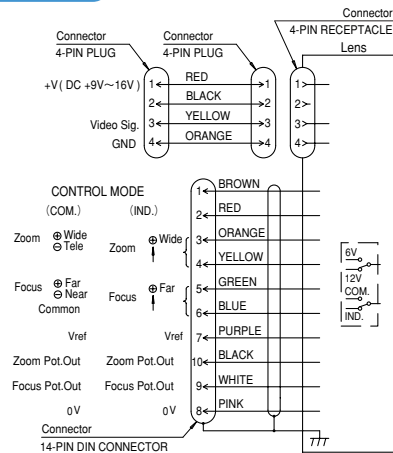


Unit : mm

ZOOM LENSES

Focal Length (mm)		17~374 (22x)	
Iris Range		F2.3 ~ T3000 (Equivalent to F3000)	
Operation	Zoom	Motor Drive	
	Focus	Motor Drive	
	Iris	Auto (Video Type)	
Angle Of View (H×V)	1"	WIDE	41°16' × 31°32'
		TELE	1°58' × 1°28'
	2/3"	WIDE	29°01' × 21°58'
		TELE	1°21' × 1°01'
	1/2"	WIDE	21°19' × 16°04'
		TELE	0°59' × 0°44'
Focusing Range (From Front Of The Lens) (m)		∞ ~ 3	
Object Dimensions at M.O.D. (H×V) (mm)	1"	WIDE	2178 × 1633
		TELE	99 × 74
	2/3"	WIDE	1497 × 1123
		TELE	68 × 51
1/2"	WIDE	1089 × 817	
	TELE	50 × 37	
Back Focal Distance (in air) (mm)		67.38	
Exit Pupil Position (From Image Plane) (mm)		-127	
Filter Thread (mm)		M82 × 0.75	
Mount		C	
Mass (kg)		2.5	
Standard Accessories		Iris Control Cable	
Remarks		• With Metal Mount	

Wiring



Controller output	Select switch position
6V	6V / IND.
±6V	6V / COM.
12V	12V / IND.
±12V	12V / COM.

Accessories

Extender

Model	Magnification
HE15-1	1.5X
HE20-1	2X



For Security
Day & Night

Applicable camera (model)

D60x12.5R2DE-V41

1	2/3	1/2	1/3	1/4
---	-----	-----	-----	-----

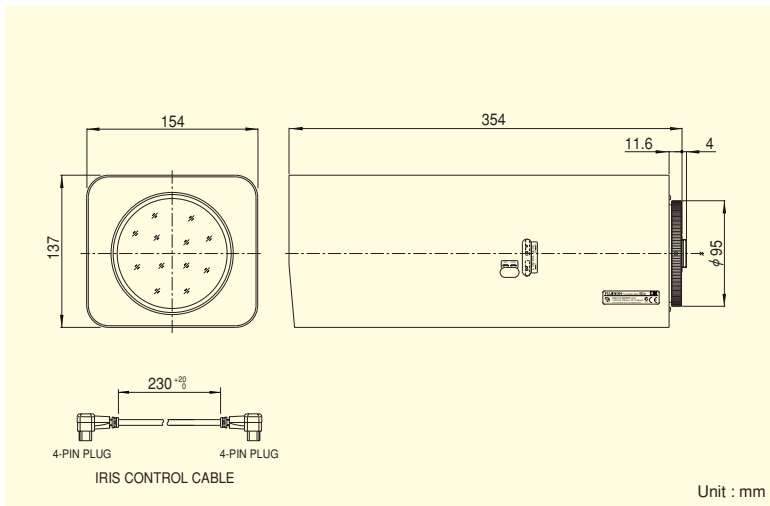
60x



*Photograph is a similar model.

- Offering F3.8 brightness and 60x zoom (focal length of 1500mm when used with an extender), these lenses are suited for long-range surveillance, such as for seaport security.
- The compact and lightweight design allows establishment of compact remote surveillance systems.
- Day/Night capability for high-quality imaging around the clock.
- Equipped with a 2x extender that provides clear identification of individuals at a distance of 3km.
- Multi-power compatibility for connection to existing surveillance systems for zoom operation.
- Iris Override function allows manual iris adjustment.

ZOOM Zoom	WIDE Wide Angle	TELE Telephoto Long Focal	MOTOR DRIVE Motor Drive	Day~Night Day & Night	VIDEO Video Auto Iris	REMOTE Remote Iris
C-mt C Mount	METAL Metal Mount	ND ND Filter	2x Extender	F3.8 Wide Aperture Rate		

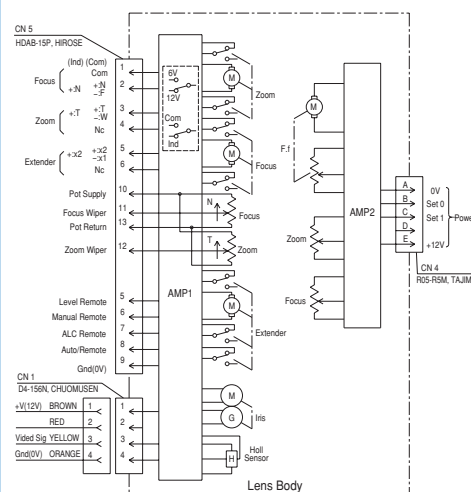


Unit : mm

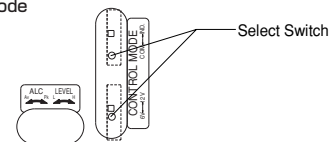
DAY & NIGHT LENSES

		1x	2x	
Focal Length (mm)		12.5~750 (60x)	25~1500 (60x)	
Iris Range		F3.8~T3000 (Equivalent to F3000)	F7.6~T6000 (Equivalent to F6000)	
Operation	Zoom	Motor Drive		
	Focus	Motor Drive		
	Iris	Auto (Video Type) or Manual Remote		
Angle Of View (HXV)	1/2"	WIDE	28°43' X 21°44'	14°35' X 10°58'
		TELE	0°29' X 0°22'	0°15' X 0°11'
	1/3"	WIDE	21°44' X 16°23'	10°58' X 8°14'
		TELE	0°22' X 0°17'	0°11' X 0°08'
	1/4"	WIDE	16°23' X 12°20'	8°14' X 6°11'
		TELE	0°17' X 0°08'	0°08' X 0°06'
Focusing Range (From Front Of The Lens) (m)		∞ ~ 5	∞ ~ 5	
Object Dimensions at M.O.D. (HXV) (mm)	1/2"	WIDE	2465 X 1849	1233 X 924
		TELE	41 X 35	21 X 55
	1/3"	WIDE	1849 X 1837	925 X 693
		TELE	31 X 23	16 X 12
	1/4"	WIDE	1387 X 1040	693 X 520
		TELE	23 X 17	12 X 9
Back Focal Distance (in air) (mm)		53.23	53.23	
Exit Pupil Position (From Image Plane) (mm)		-64	-64	
Filter Thread (mm)		M107X1		
Mount		C		
Extender		2x		
Mass (kg)		5.2		
Standard Accessories		Iris Control Cable Connection Connector		
Remarks		• With Metal Mount		

Wiring



Control Mode



Factory Setting : 12V / IND.

Controller output	Select switch position
6V	6V / IND.
±6V	6V / COM.
12V	12V / IND.
±12V	12V / COM.



For Security
Day & Night

Applicable camera (model)

D60x12.5R2DE-ZP1

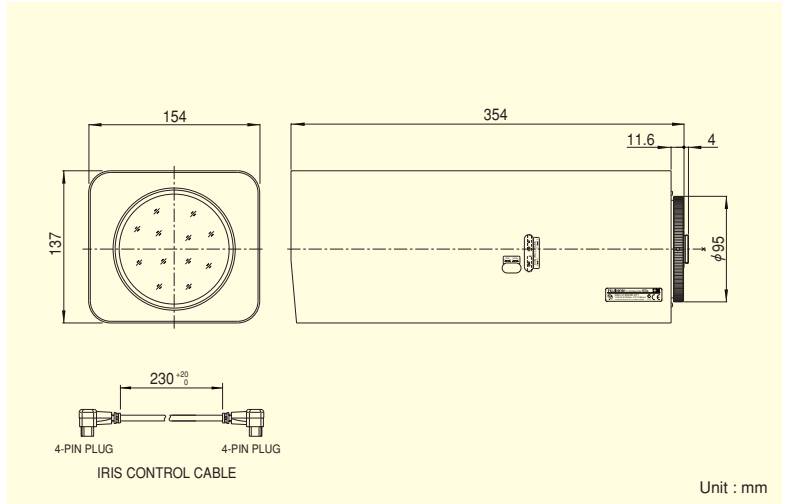
1 2/3	1/2	1/3	1/4
-------	-----	-----	-----

60x



ZOOM Zoom	WIDE Wide Angle	TELE Telephoto Long Focal	MOTOR DRIVE Motor Drive	Day~Night Day & Night	VIDEO Video Auto Iris	REMOTE Remote Iris
C-mt C Mount	METAL Metal Mount	PC PC Control	SERVO Full Servo	ND ND Filter	2x Extender	F3.8 Wide Aperture Rate

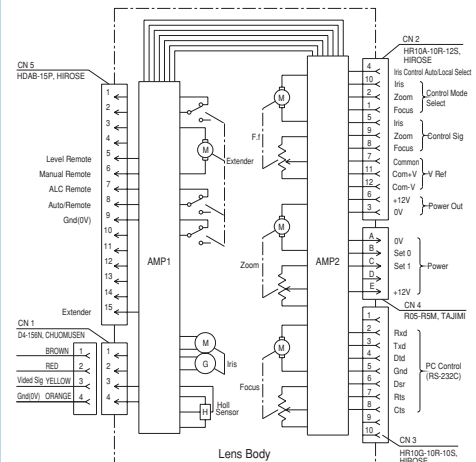
- Offering F3.8 brightness and 60x zoom (focal length of 1500mm when used with an extender), these lenses are suited for long-range surveillance, such as for seaport security.
- The compact and lightweight design allows establishment of compact remote surveillance systems.
- Day/Night capability for high-quality imaging around the clock.
- Equipped with a 2x extender that provides clear identification of individuals at a distance of 3km.
- Full servo control for fine zoom operation and PC-based control.
- Iris Override function allows manual iris adjustment.



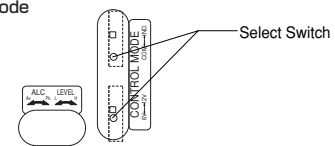
DAY & NIGHT LENSES

		1x	2x	
Focal Length (mm)		12.5~750 (60x)	25~1500 (60x)	
Iris Range		F3.8~T3000 (Equivalent to F3000)	F7.6~T6000 (Equivalent to F6000)	
Operation	Zoom	Servo Control		
	Focus	Servo Control		
	Iris	Auto (Video Type), Servo Control or Manual Remote		
Angle Of View (HxV)	1/2"	WIDE	28°43' × 21°44'	14°35' × 10°58'
		TELE	0°29' × 0°22'	0°15' × 0°11'
	1/3"	WIDE	21°44' × 16°23'	10°58' × 8°14'
		TELE	0°22' × 0°17'	0°11' × 0°08'
	1/4"	WIDE	16°23' × 12°20'	8°14' × 6°11'
		TELE	0°17' × 0°08'	0°08' × 0°06'
Focusing Range (From Front Of The Lens) (m)		∞ ~ 5	∞ ~ 5	
Object Dimensions at M.O.D. (HxV) (mm)	1/2"	WIDE	2465 × 1849	1233 × 924
		TELE	41 × 35	21 × 55
	1/3"	WIDE	1849 × 1837	925 × 693
		TELE	31 × 23	16 × 12
	1/4"	WIDE	1387 × 1040	693 × 520
		TELE	23 × 17	12 × 9
Back Focal Distance (in air) (mm)		53.23	53.23	
Exit Pupil Position (From Image Plane) (mm)		-64	-64	
Filter Thread (mm)		M107x1		
Mount		C		
Extender		2x		
Mass (kg)		5.2		
Control Unit		CRD-16A-50D (Option)		
Standard Accessories		Iris Control Cable Connection Connector		
Remarks		• With Metal Mount		

Wiring



Control Mode



Factory Setting : 12V / IND.

Controller output	Select switch position
6V	6V / IND.
±6V	6V / COM.
12V	12V / IND.
±12V	12V / COM.

Accessories

Control Unit

Model	CRD-16A-50D
Operation	Zoom, Focus, Iris, Extender

DC Power Supply

Model	CPS-10
Voltage	DC 12V

Connection Cable

SA-206A-*** (Serial Connection) Max.10m
EC-221A-*** (Analog) Max.10m



For Surveillance
Telephoto Zoom

Applicable camera (model)

C22×23B-V41

1	2/3	1/2	1/3	1/4
---	-----	-----	-----	-----

22×

NEW

ZOOM
Zoom

TELE
Telephoto Long Focal

MOTOR DRIVE
Motor Drive

VIDEO
Video Auto Iris

IRIS-REMOTE
Iris Remote

C-mt
C Mount

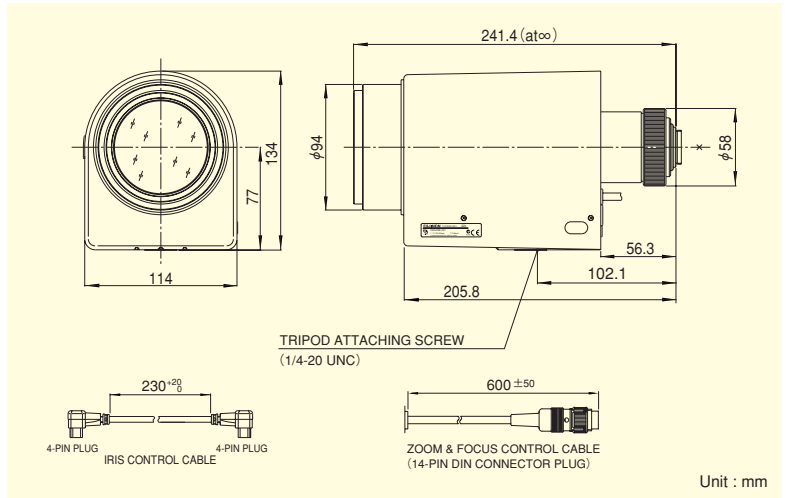
METAL
Metal Mount

ND
ND Filter



*Photograph is a similar model.

- High-power zoom lens with focal length of 500mm, best suited for remote surveillance.
- Compact and lightweight design, allowing compact systems to be easily established.
- Multi power compatibility (6V, ±6V, 12V, ±12V), for use with existing control systems.
- Special built-in ND filter of T3000, providing support for ultra sensitive cameras.
- Auto iris is remotely operable, allowing light intensity to be fine adjusted according to the monitoring target.
- Supports 1" photomultiplier tube cameras.

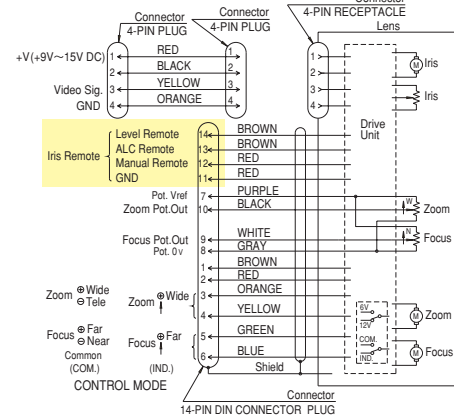


Unit : mm

TELEPHOTO ZOOM LENSES

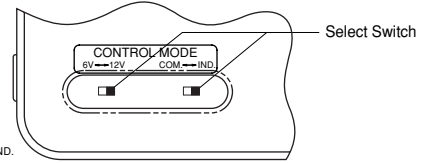
Focal Length (mm)		23~506 (22×)	
Iris Range		F3.1 ~ T3000 (Equivalent to F3000)	
Operation	Zoom	Motor Drive	
	Focus	Motor Drive	
	Iris	Auto (Video Type) or Remote	
Angle Of View (H×V)	1"	WIDE	31°06' × 23°35'
		TELE	1°27' × 1°05'
	2/3"	WIDE	21°40' × 16°20'
		TELE	1°00' × 0°45'
	1/2"	WIDE	15°50' × 11°55'
		TELE	0°43' × 0°33'
Focusing Range (From Front Of The Lens) (m)		∞ ~ 3	
Object Dimensions at M.O.D. (H×V) (mm)	1"	WIDE	1611 × 1208
		TELE	73 × 55
	2/3"	WIDE	1108 × 831
		TELE	50 × 38
	1/2"	WIDE	806 × 604
		TELE	37 × 27
Back Focal Distance (in air) (mm)		39.58	
Exit Pupil Position (From Image Plane) (mm)		-64	
Filter Thread (mm)		M82 × 0.75	
Mount		C	
Mass (kg)		2.4	
Standard Accessories		Iris Control Cable	
Remarks		• With Metal Mount	

Wiring



Control Mode

(Rear View)



Factory Setting : 12V / IND.

Controller output	Select switch position
6V	6V / IND.
±6V	6V / COM.
12V	12V / IND.
±12V	12V / COM.

Accessories

■ Extender

Model	Magnification
HE15-1	1.5×
HE20-1	2×



For Surveillance
Telephoto Zoom

Applicable camera (model)

C22x23R2D-V41

1	2/3	1/2	1/3	1/4
---	-----	-----	-----	-----

22x

NEW

ZOOM
Zoom

TELE
Telephoto Long Focal

MOTOR DRIVE
Motor Drive

Day~Night
Day & Night

VIDEO
Video Auto Iris

IRIS-REMOTE
Iris Remote

C-mt
C Mount

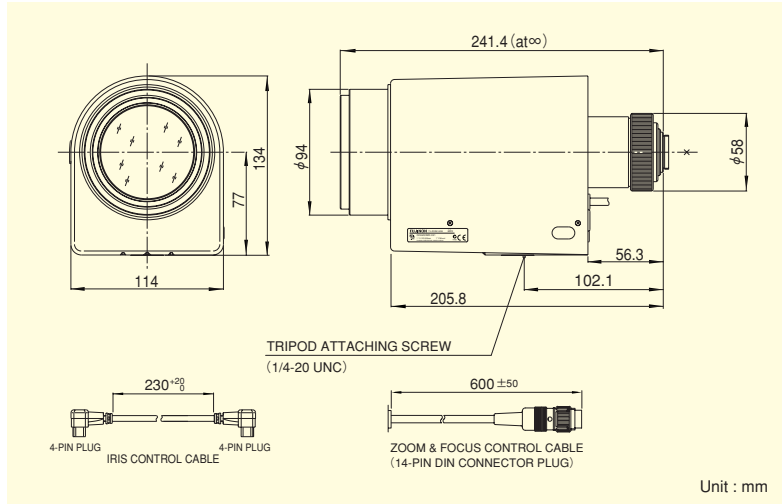
METAL
Metal Mount

ND
ND Filter



*Photograph is a similar model.

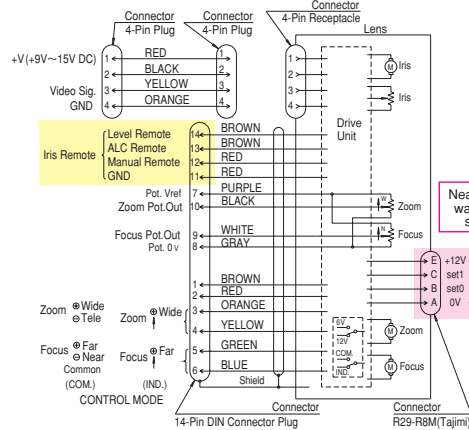
- Zoom lens with near-infrared wavelength selection mechanism, best suited for day and night cameras.
- High-power zoom lens with focal length of 500mm, best suited for remote surveillance.
- Compact and lightweight design, allowing compact systems to be easily established.
- Multi power compatibility (6V, ±6V, 12V, ±12V), for use with existing control systems.
- Special built-in ND filter of T3000, providing support for ultra sensitive cameras.
- Auto iris is remotely operable, allowing light intensity to be fine adjusted according to the monitoring target.
- Supports 1" photomultiplier tube cameras.



Unit : mm

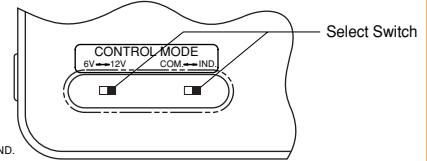
Focal Length (mm)		23~506 (22x)	
Iris Range		F3.1 ~ T3000 (Equivalent to F3000)	
Operation	Zoom	Motor Drive	
	Focus	Motor Drive	
	Iris	Auto (Video Type) or Remote	
Angle Of View (H×V)	1"	WIDE	31°06' × 23°35'
		TELE	1°27' × 1°05'
	2/3"	WIDE	21°40' × 16°20'
		TELE	1°00' × 0°45'
	1/2"	WIDE	15°50' × 11°55'
		TELE	0°43' × 0°33'
Focusing Range (From Front Of The Lens) (m)		∞ ~ 3	
Object Dimensions at M.O.D. (H×V) (mm)	1"	WIDE	1611 × 1208
		TELE	73 × 55
	2/3"	WIDE	1108 × 831
		TELE	50 × 38
	1/2"	WIDE	806 × 604
		TELE	37 × 27
Back Focal Distance (in air) (mm)		39.58	
Exit Pupil Position (From Image Plane) (mm)		-64	
Filter Thread (mm)		M82 × 0.75	
Mount		C	
Mass (kg)		2.4	
Standard Accessories		Iris Control Cable	
Remarks		• With Metal Mount	

Wiring



Control Mode

(Rear View)



Factory Setting : 12V / IND.

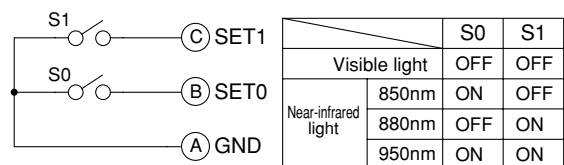
Controller output	Select switch position
6V	6V / IND.
±6V	6V / COM.
12V	12V / IND.
±12V	12V / COM.

Accessories

■ Extender

Model	Magnification
HE15-1	1.5X
HE20-1	2X

Near-infrared wavelength selected





For Surveillance Telephoto Zoom

Applicable camera (model)

C22x23R2D-ZP1

1	1/3	1/2	2/3	1/4
---	-----	-----	-----	-----

22x

NEW



*Photograph is a similar model.

- Zoom lens with near-infrared wavelength selection mechanism, best suited for day and night cameras.
- High-power zoom lens with focal length of 500mm, best suited for remote surveillance.
- Compact and lightweight design, allowing compact systems to be easily established.
- Multi power compatibility (6V, ±6V, 12V, ±12V), for use with existing control systems.
- Special built-in ND filter of T3000, providing support for ultra sensitive cameras.
- Equipped with the RS-232C interface for advanced control.
- Auto iris is remotely operable, allowing light intensity to be fine adjusted according to the monitoring target.
- Supports 1" photomultiplier tube cameras.

ZOOM
Zoom

TELE
Telephoto Long Focal

MOTOR DRIVE
Motor Drive

Day~Night
Day & Night

VIDEO
Video Auto Iris

IRIS-REMOTE
Iris Remote

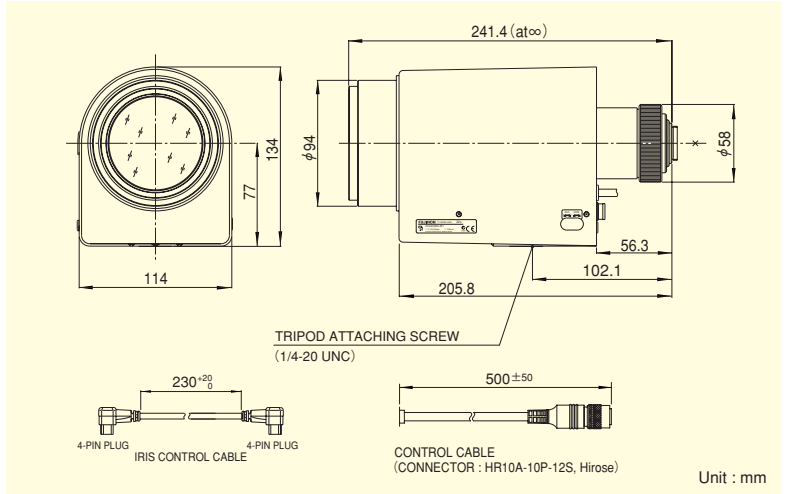
C-mt
C Mount

METAL
Metal Mount

PC
PC Control

SERVO
Full Servo

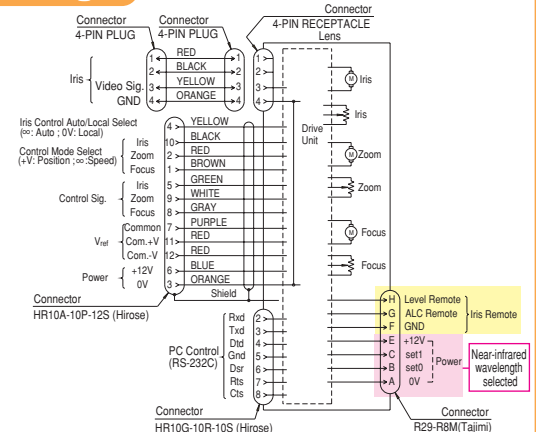
ND
ND Filter



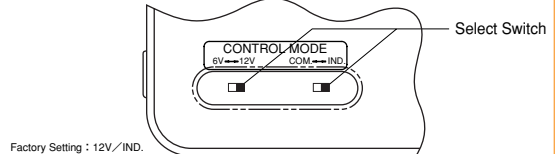
TELEPHOTO ZOOM LENSES

Focal Length (mm)		23~506 (22x)	
Iris Range		F3.1 ~ T3000 (Equivalent to F3000)	
Operation	Zoom	Motor Drive	
	Focus	Motor Drive	
	Iris	Auto (Video Type), Remote or Servo Control	
Angle Of View (HxV)	1"	WIDE	31°06' × 23°35'
		TELE	1°27' × 1°05'
	2/3"	WIDE	21°40' × 16°20'
		TELE	1°00' × 0°45'
	1/2"	WIDE	15°50' × 11°55'
		TELE	0°43' × 0°33'
Focusing Range (From Front Of The Lens) (m)		∞ ~ 3	
Object Dimensions at M.O.D. (HxV) (mm)	1"	WIDE	1611 × 1208
		TELE	73 × 55
	2/3"	WIDE	1108 × 831
		TELE	50 × 38
	1/2"	WIDE	806 × 604
		TELE	37 × 27
Back Focal Distance (in air) (mm)		39.58	
Exit Pupil Position (From Image Plane) (mm)		-64	
Filter Thread (mm)		M82 × 0.75	
Mount		C	
Mass (kg)		2.8	
Standard Accessories		Iris Control Cable	
Remarks		• With Metal Mount	

Wiring



Control Mode



Controller output	Select switch position
6V	6V/IND.
±6V	6V/COM.
12V	12V/IND.
±12V	12V/COM.

Accessories

Extender

Model	Magnification
HE15-1	1.5X
HE20-1	2X

Near-infrared wavelength selected

