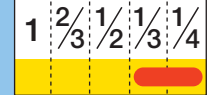




For Security
Fixed Focal

YF2.8A-2

Applicable camera (model)

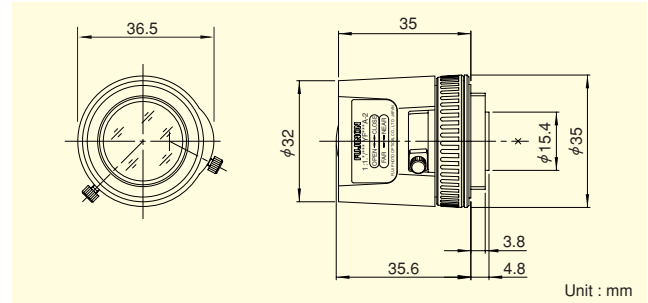


- FIXED**
Fixed Focal
- WIDE**
Wide Angle
- MANUAL**
Manual Iris
- CS-mt**
CS Mount
- F1.3**
Wide Aperture Rate



- Super wide angle lens with the horizontal field angle of 96 degrees or more (when used on 1/3" cameras)
- Compact and lightweight design of 40g, best suited for built-in lenses
- Wide aperture of F1.3, optimizing the performance at low lighting intensity

*Photograph is a similar model.



| | | |
|---------------------------------------------|-------|-----------------|
| Focal Length (mm) | | 2.8 |
| Iris Range | | F1.3 ~ Close |
| Operation | Focus | Manual |
| | Iris | Manual |
| Angle Of View (H×V) | 1/3" | 96°15' × 71°51' |
| | 1/4" | 71°51' × 53°45' |
| Focusing Range (From Front Of The Lens) (m) | | ∞ ~ 0.1 |
| Object Dimensions at M.O.D. (H×V) (mm) | 1/3" | 241 × 157 |
| | 1/4" | 157 × 110 |
| Back Focal Distance (in air) (mm) | | 8.11 |
| Exit Pupil Position (From Image Plane) (mm) | | 166 |
| Filter Thread (mm) | | — |
| Mount | | CS |
| Mass (g) | | 40 |
| Remarks | | |



For Security
Fixed Focal

Applicable camera (model)

YF2.8A-SA2B

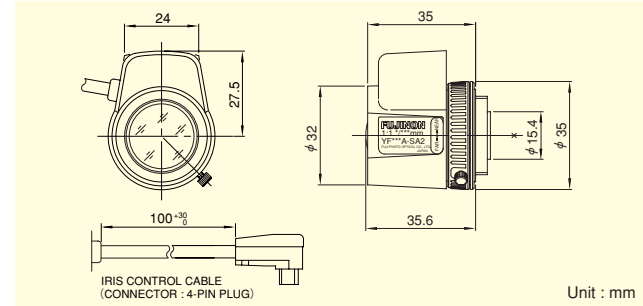
| | | | | |
|---|-----|-----|-----|-----|
| 1 | 2/3 | 1/2 | 1/3 | 1/4 |
| | | | | |

- FIXED**
Fixed Focal
- WIDE**
Wide Angle
- DC**
DC Auto Iris
- CS-mt**
CS Mount
- ND**
ND Filter
- 230**
Long Cable
- F1.3**
Wide Aperture Rate



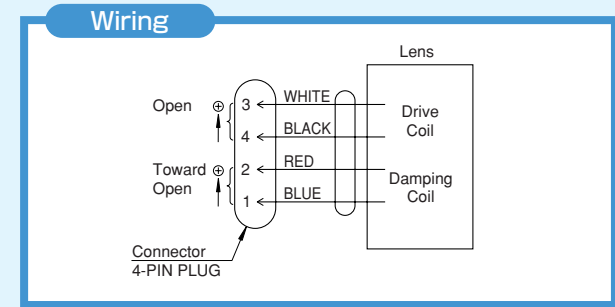
- Super wide angle lens with the horizontal field angle of 96 degrees or more (when used on 1/3" cameras)
- Built-in ND filter of T360, supporting super sensitive cameras
- Wide aperture of F1.3, optimizing the performance at low lighting intensity

*Photograph is a similar model.



| | | |
|---------------------------------------------|-------|-----------------------------------|
| Focal Length (mm) | | 2.8 |
| Iris Range | | F1.3 ~ T360 (Equivalent to F360) |
| Operation | Focus | Manual |
| | Iris | Auto (DC Type) (*1) |
| Angle Of View (H×V) | 1/3" | 96°15' × 71°51' |
| | 1/4" | 71°51' × 53°45' |
| Focusing Range (From Front Of The Lens) (m) | | ∞ ~ 0.1 |
| Object Dimensions at M.O.D. (H×V) (mm) | 1/3" | 241 × 157 |
| | 1/4" | 157 × 110 |
| Back Focal Distance (in air) (mm) | | 8.11 |
| Exit Pupil Position (From Image Plane) (mm) | | 166 |
| Filter Thread (mm) | | — |
| Mount | | CS |
| Mass (g) | | 50 |
| Coil Resistance | | Drive Coil 200Ω Damping Coil 600Ω |
| Current Consumption | | 22mA (Max.) at DC 4V |

Remarks
(*1) When power is turned off, iris will automatically be closed.
YF2.8A-SA2LB:Long Cable Type (230mm)





For Security
Fixed Focal

YF4A-2

Applicable camera (model)

| | | | | |
|---|-----|-----|-----|-----|
| 1 | 2/3 | 1/2 | 1/3 | 1/4 |
| | | | | |

FIXED

Fixed Focal

MANUAL

Manual Iris

CS-mt

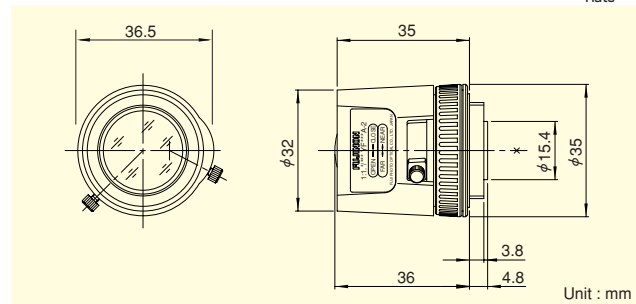
CS Mount

F1.2

Wide Aperture
Rate



- Compact and lightweight design of 30g, best suited for built-in lenses
- Wide aperture of F1.2, optimizing the performance at low lighting intensity



Unit : mm

| | | |
|---------------------------------------------|-------|-----------------|
| Focal Length (mm) | | 4 |
| Iris Range | | F1.2 ~ Close |
| Operation | Focus | Manual |
| | Iris | Manual |
| Angle Of View (H×V) | 1/3" | 65°21' × 49°27' |
| | 1/4" | 49°27' × 37°15' |
| Focusing Range (From Front Of The Lens) (m) | | ∞ ~ 0.1 |
| Object Dimensions at M.O.D. (H×V) (mm) | 1/3" | 132 × 99 |
| | 1/4" | 99 × 73 |
| Back Focal Distance (in air) (mm) | | 8.62 |
| Exit Pupil Position (From Image Plane) (mm) | | 727 |
| Filter Thread (mm) | | — |
| Mount | | CS |
| Mass (g) | | 30 |
| Remarks | | |



For Security
Fixed Focal

YF4A-SA2B

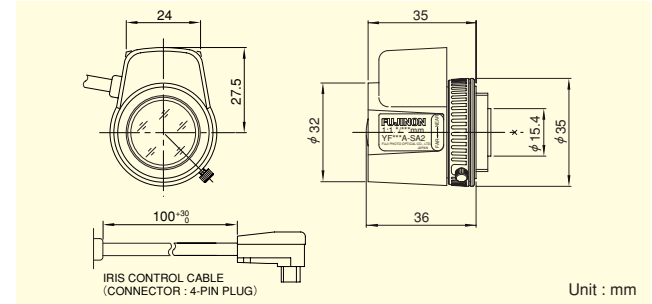
Applicable camera (model)

| | | | | |
|---|-----|-----|-----|-----|
| 1 | 2/3 | 1/2 | 1/3 | 1/4 |
| | | | | |



- Built-in ND filter of T360, supporting super sensitive cameras
- Wide aperture of F1.2, optimizing the performance at low lighting intensity

| | | | | | |
|--------------|--------------|--------------|-----------|------------|--------------------|
| FIXED | DC | CS-mt | ND | 230 | F1.2 |
| Fixed Focal | DC Auto Iris | CS Mount | ND Filter | Long Cable | Wide Aperture Rate |



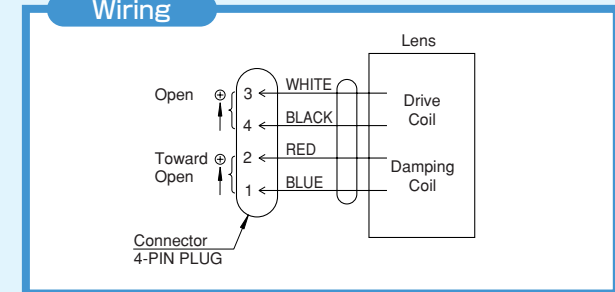
| | | |
|---------------------------------------------|-------|-----------------------------------|
| Focal Length (mm) | | 4 |
| Iris Range | | F1.2 ~ T360 (Equivalent to F360) |
| Operation | Focus | Manual |
| | Iris | Auto (DC Type) (*1) |
| Angle Of View (H×V) | 1/3" | 65°21' × 49°27' |
| | 1/4" | 49°27' × 37°15' |
| Focusing Range (From Front Of The Lens) (m) | | ∞ ~ 0.1 |
| Object Dimensions at M.O.D. (H×V) (mm) | 1/3" | 132 × 99 |
| | 1/4" | 99 × 73 |
| Back Focal Distance (in air) (mm) | | 8.62 |
| Exit Pupil Position (From Image Plane) (mm) | | 727 |
| Filter Thread (mm) | | — |
| Mount | | CS |
| Mass (g) | | 40 |
| Coil Resistance | | Drive Coil 200Ω Damping Coil 600Ω |
| Current Consumption | | 22mA (Max.) at DC 4V |

Remarks

(*1) When power is turned off, iris will automatically be closed.

YF4A-SA2LB : Long Cable Type (230mm)

Wiring



FIXED FOCAL LENGTH LENSES



For Security
Fixed Focal

YF8A-2

Applicable camera (model)

1 2/3 1/2 1/3 1/4

FIXED

Fixed Focal

MANUAL

Manual Iris

CS-mt

CS Mount

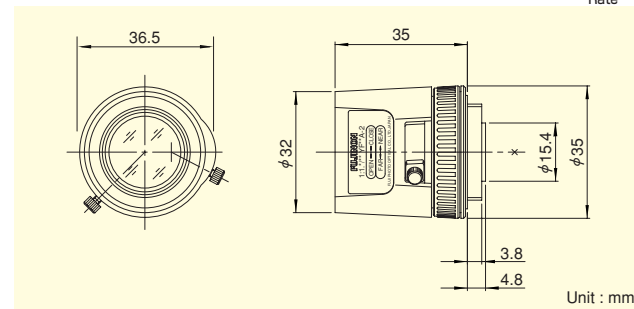
F1.2

Wide Aperture Rate



- Compact and lightweight design of 30g, best suited for built-in lenses
- Wide aperture of F1.2, optimizing the performance at low lighting intensity

*Photograph is a similar model.



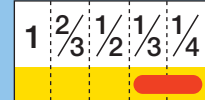
| | | |
|---------------------------------------------|-------|-----------------|
| Focal Length (mm) | | 8 |
| Iris Range | | F1.2 ~ Close |
| Operation | Focus | Manual |
| | Iris | Manual |
| Angle Of View (H×V) | 1/3" | 33°24' × 25°22' |
| | 1/4" | 25°22' × 19°09' |
| Focusing Range (From Front Of The Lens) (m) | | ∞ ~ 0.1 |
| Object Dimensions at M.O.D. (H×V) (mm) | 1/3" | 71 × 53 |
| | 1/4" | 53 × 40 |
| Back Focal Distance (in air) (mm) | | 8.81 |
| Exit Pupil Position (From Image Plane) (mm) | | -147 |
| Filter Thread (mm) | | — |
| Mount | | CS |
| Mass (g) | | 30 |
| Remarks | | |



For Security
Fixed Focal

YF8A-SA2B

Applicable camera (model)

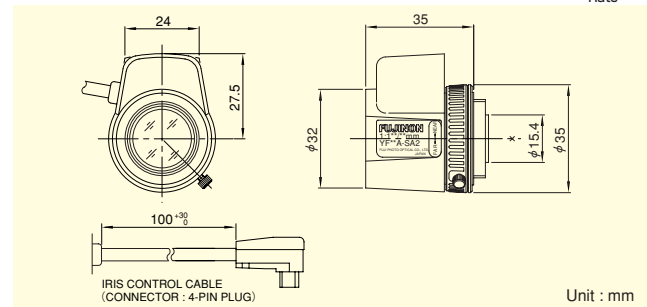


- FIXED**
Fixed Focal
- DC**
DC Auto Iris
- CS-mt**
CS Mount
- ND**
ND Filter
- 230**
Long Cable
- F1.2**
Wide Aperture Rate



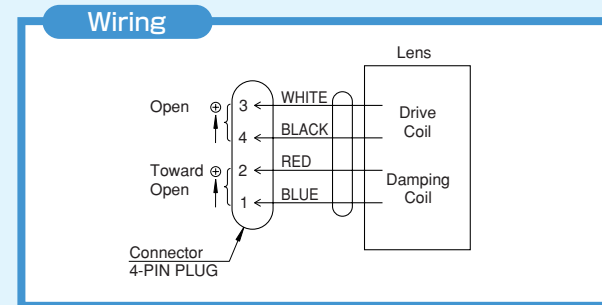
*Photograph is a similar model.

- Built-in ND filter of T360, supporting super sensitive cameras
- Wide aperture of F1.2, optimizing the performance at low lighting intensity



| | | |
|---------------------------------------------|-------|-----------------------------------|
| Focal Length (mm) | | 8 |
| Iris Range | | F1.2 ~ T360 (Equivalent to F360) |
| Operation | Focus | Manual |
| | Iris | Auto (DC Type) (*1) |
| Angle Of View (H×V) | 1/3" | 33°24' × 25°22' |
| | 1/4" | 25°22' × 19°09' |
| Focusing Range (From Front Of The Lens) (m) | | ∞ ~ 0.1 |
| Object Dimensions at M.O.D. (H×V) (mm) | 1/3" | 71 × 53 |
| | 1/4" | 53 × 40 |
| Back Focal Distance (in air) (mm) | | 8.81 |
| Exit Pupil Position (From Image Plane) (mm) | | -147 |
| Filter Thread (mm) | | — |
| Mount | | CS |
| Mass (g) | | 40 |
| Coil Resistance | | Drive Coil 200Ω Damping Coil 600Ω |
| Current Consumption | | 22mA (Max.) at DC 4V |

Remarks
(*1) When power is turned off, iris will automatically be closed.
YF8A-SA2LB : Long Cable Type (230mm)





For Security
Fixed Focal

YF16A-2

Applicable camera (model)

| | | | | |
|---|-----|-----|-----|-----|
| 1 | 2/3 | 1/2 | 1/3 | 1/4 |
| | | | | |

FIXED

Fixed Focal

TELE

Telephoto
Long Focal

MANUAL

Manual Iris

CS-mt

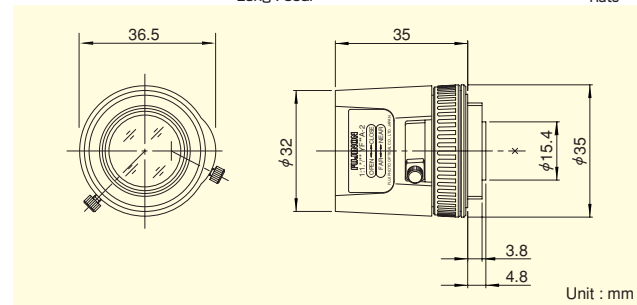
CS Mount

F1.4

Wide Aperture
Rate



- Telephoto lens with the horizontal field angle of approximately 17 degrees
- Compact and lightweight design of 25g, best suited for built-in lenses
- Wide aperture of F1.4, optimizing the performance at low lighting intensity



FIXED FOCAL LENGTH LENSES

| | | |
|---------------------------------------------|-------|-----------------|
| Focal Length (mm) | | 16 |
| Iris Range | | F1.4 ~ Close |
| Operation | Focus | Manual |
| | Iris | Manual |
| Angle Of View (H×V) | 1/3" | 17°04' × 12°50' |
| | 1/4" | 12°50' × 9°39' |
| Focusing Range (From Front Of The Lens) (m) | | ∞ ~ 0.5 |
| Object Dimensions at M.O.D. (H×V) (mm) | 1/3" | 153 × 115 |
| | 1/4" | 115 × 86 |
| Back Focal Distance (in air) (mm) | | 10.3 |
| Exit Pupil Position (From Image Plane) (mm) | | 80 |
| Filter Thread (mm) | | — |
| Mount | | CS |
| Mass (g) | | 25 |
| Remarks | | |



For Security
Fixed Focal

YF16A-SA2B

Applicable camera (model)

| | | | | |
|---|-----|-----|-----|-----|
| 1 | 2/3 | 1/2 | 1/3 | 1/4 |
| | | | | |

FIXED
Fixed Focal

TELE
Telephoto Long Focal

DC
DC Auto Iris

CS-mt
CS Mount

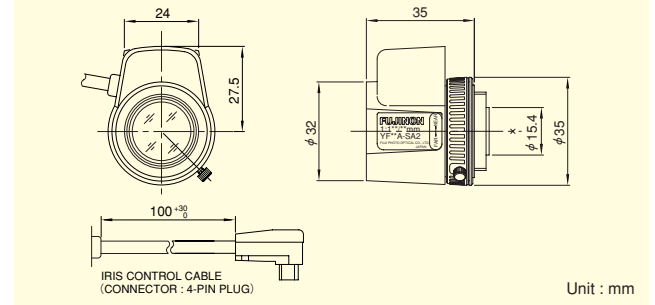
ND
ND Filter

230
Long Cable

F1.4
Wide Aperture Rate



- Telephoto lens with the horizontal field angle of approximately 17 degrees
- Built-in ND filter of T360, supporting super sensitive cameras
- Wide aperture of F1.4, optimizing the performance at low lighting intensity



FIXED FOCAL LENGTH LENSES

| | | |
|---------------------------------------------|-------|-----------------------------------|
| Focal Length (mm) | | 16 |
| Iris Range | | F1.4 ~ T360 (Equivalent to F360) |
| Operation | Focus | Manual |
| | Iris | Auto (DC Type) (*1) |
| Angle Of View (H×V) | 1/3" | 17°04' × 12°50' |
| | 1/4" | 12°50' × 9°39' |
| Focusing Range (From Front Of The Lens) (m) | | ∞ ~ 0.5 |
| Object Dimensions at M.O.D. (H×V) (mm) | 1/3" | 153 × 115 |
| | 1/4" | 115 × 86 |
| Back Focal Distance (in air) (mm) | | 10.3 |
| Exit Pupil Position (From Image Plane) (mm) | | 80 |
| Filter Thread (mm) | | — |
| Mount | | CS |
| Mass (g) | | 35 |
| Coil Resistance | | Drive Coil 200Ω Damping Coil 600Ω |
| Current Consumption | | 22mA (Max.) at DC 4V |

Remarks

(*1) When power is turned off, iris will automatically be closed.
YF16A-SA2LB : Long Cable Type (230mm)

