



**For Security
Zoom**

Applicable camera (model)

Y12×6A-SE2

1	2/3	1/2	1/3	1/4
---	-----	-----	-----	-----

ZOOM
Zoom

WIDE
Wide Angle

TELE
Telephoto
Long Focal

MOTOR DRIVE
Motor Drive

DC
DC Auto Iris

CS-mt
CS Mount

METAL
Metal Mount

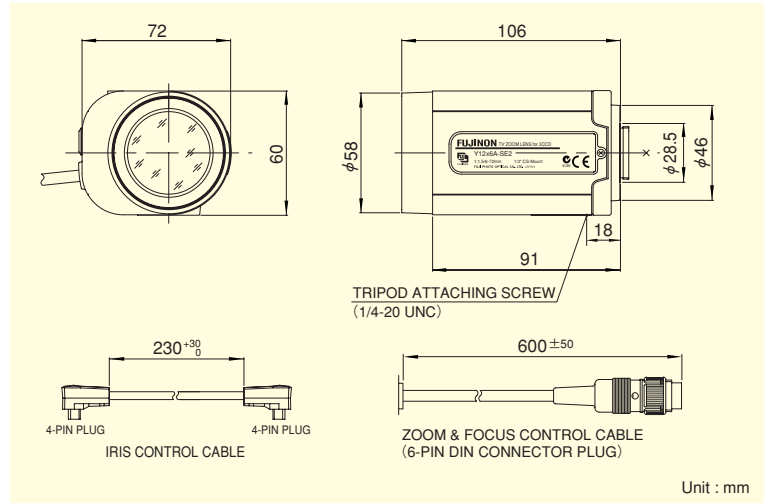
ND
ND Filter

12x



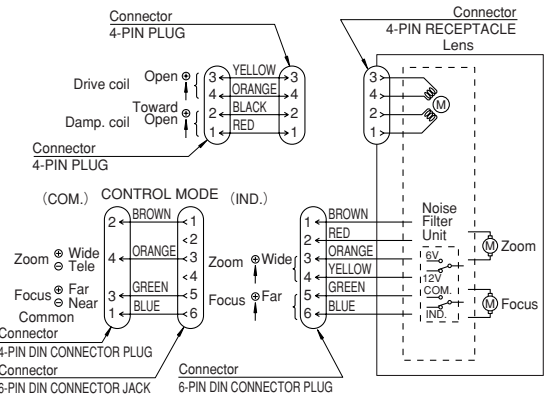
*Photograph is a similar model.

- Standard zoom lens with the excellent cost performance
- Multiple power supply (6V, ±6V, 12V, ±12V) supported, enabling the use of existing control systems
- Built-in ND filter of T400, supporting super sensitive cameras

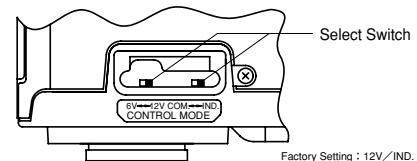


Focal Length (mm)		6~72 (12x)	
Iris Range		F1.5 ~ T400 (Equivalent to F400)	
Operation	Zoom	Motor Drive	
	Focus	Motor Drive	
	Iris	Auto (DC Type) (*1)	
Angle Of View (HxV)	1/3"	WIDE	43°36' × 33°24'
		TELE	3°49' × 2°52'
	1/4"	WIDE	33°24' × 25°22'
		TELE	2°52' × 2°09'
Focusing Range (From Front Of The Lens) (m)		∞ ~ 1.3	
Object Dimensions at M.O.D. (HxV) (mm)	1/3"	WIDE	1003 × 753
		TELE	84 × 63
	1/4"	WIDE	752 × 565
		TELE	63 × 47
Back Focal Distance (in air) (mm)		11.69	
Exit Pupil Position (From Image Plane) (mm)		-6028	
Filter Thread (mm)		M55 × 0.75	
Mount		CS	
Mass (g)		330	
Coil Resistance		Drive Coil	180Ω
		Damping Coil	720Ω
Current Consumption		24mA (Max.) at DC 4V	
Standard Accessories		Iris Control Cable Conversion Cable (6-pin→4-pin) Connection Connector (4-pin, 6-pin)	
Remarks		• With Metal Mount (*1) When power is turned off, iris will automatically be closed.	

Wiring



Control Mode



Controller output	Select switch position	Conversion cable (Standard accessory)
6V	6V/IND.	Not necessary
±6V	6V/COM.	Necessary
12V	12V/IND.	Not necessary
±12V	12V/COM.	Necessary

ZOOM LENSES

Accessories

Close-up Lens

Product Name	CL3355 (M55×0.75mm fc=333mm)	CL10055 (M55×0.75mm fc=1000mm)		
Imaging Scope (mm)	333~250	1000~500		
Camera Image Size Range	1/3" 1/4"	1/3" 1/4"		
Object Dimensions (mm)	TELE 1/3"	17×13	TELE 1/3"	37×27
	1/4"	13×10	1/4"	27×21
	WIDE 1/3"	203×152	WIDE 1/3"	436×327
	1/4"	152×114	1/4"	327×245

Control Unit

Product Name	CRD-2A	CRD-2B
Operation	Zoom, Focus	
Power Source	AC 100V/120V/220V/240V 50/60Hz	

AC Power Cord

Japan	PCA-1
U.S.A./Canada	PCA-2
Continental Europe	PCA-3
Australia	PCA-4
Without AC Plug	PCA-5

Extension Cable

CRD-2A	CEC-AA102-11 (10m) CEC-AA202-11 (20m)
CRD-2B	CEC-AB102-11 (10m) CEC-AB202-11 (20m)



**For Security
Zoom**

Y12×6A-YE2

Applicable camera (model)

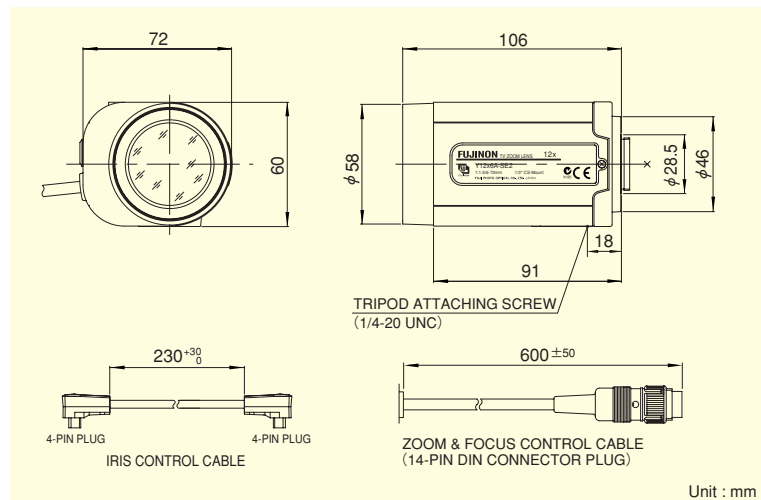
1	2/3	1/2	1/3	1/4
---	-----	-----	-----	-----

12x



*Photograph is a similar model.

ZOOM Zoom
 WIDE Wide Angle
 TELE Telephoto Long Focal
 MOTOR DRIVE Motor Drive
 DC DC Auto Iris
 CS-mt CS Mount
 METAL Metal Mount
PRESET Potentiometer
ND ND Filter



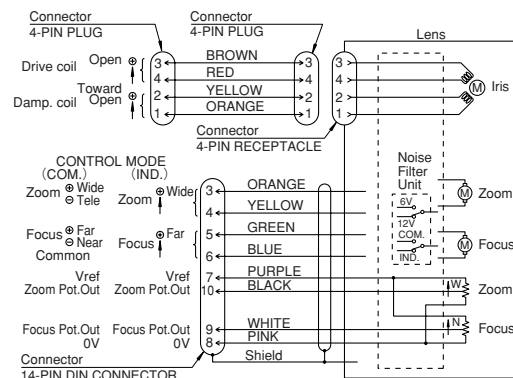
- Standard zoom lens with the excellent cost performance
- Multiple power supply (6V, ±6V, 12V, ±12V) supported, enabling the use of existing control systems
- Built-in potentiometer, supporting the preset-enabled specification
- Built-in ND filter of T400, supporting super sensitive cameras

Unit : mm

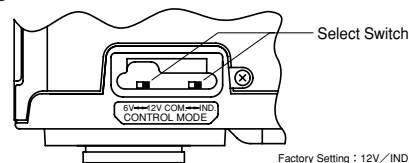
ZOOM LENSES

Focal Length (mm)		6~72 (12x)	
Iris Range		F1.5 ~ T400 (Equivalent to F400)	
Operation	Zoom	Motor Drive	
	Focus	Motor Drive	
	Iris	Auto (DC Type) (*1)	
Angle Of View (HxV)	1/3"	WIDE	43°36' × 33°24'
		TELE	3°49' × 2°52'
	1/4"	WIDE	33°24' × 25°22'
		TELE	2°52' × 2°09'
Focusing Range (From Front Of The Lens) (m)		∞ ~ 1.3	
Object Dimensions at M.O.D. (HxV) (mm)	1/3"	WIDE	1003 × 753
		TELE	84 × 63
	1/4"	WIDE	752 × 565
		TELE	63 × 47
Back Focal Distance (in air) (mm)		11.69	
Exit Pupil Position (From Image Plane) (mm)		-6028	
Filter Thread (mm)		M55 × 0.75	
Mount		CS	
Mass (g)		350	
Coil Resistance		Drive Coil	180Ω
		Damping Coil	720Ω
Current Consumption		24mA (Max.) at DC 4V	
Standard Accessories		Iris Control Cable	
Remarks		• With Metal Mount (*1) When power is turned off, iris will automatically be closed.	

Wiring



Control Mode



Factory Setting : 12V/IND.

Controller output	Select switch position
6V	6V/IND.
±6V	6V/COM.
12V	12V/IND.
±12V	12V/COM.

Accessories

Close-up Lens

Product Name	CL3355 (M55×0.75mm fc=333mm)	CL10055 (M55×0.75mm fc=1000mm)		
Imaging Scope (mm)	333~250	1000~500		
Camera Image Size Range	1/3" 1/4"	1/3" 1/4"		
Object Dimensions (mm)	TELE 1/3"	17×13	TELE 1/3"	37×27
	1/4"	13×10	1/4"	27×21
	WIDE 1/3"	203×152	WIDE 1/3"	436×327
	1/4"	152×114	1/4"	327×245



For Security Zoom

Applicable camera (model)

D12x8A-SE2

1	2/3	1/2	1/3	1/4
---	-----	-----	-----	-----

ZOOM Zoom **WIDE** Wide Angle **TELE** Telephoto Long Focal **MOTOR DRIVE** Motor Drive **DC** DC Auto Iris **CS-mt** CS Mount **METAL** Metal Mount

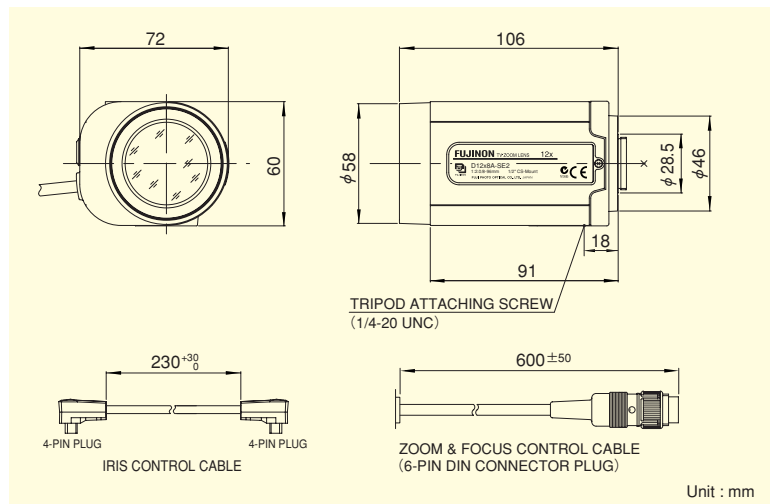
ND ND Filter

12x



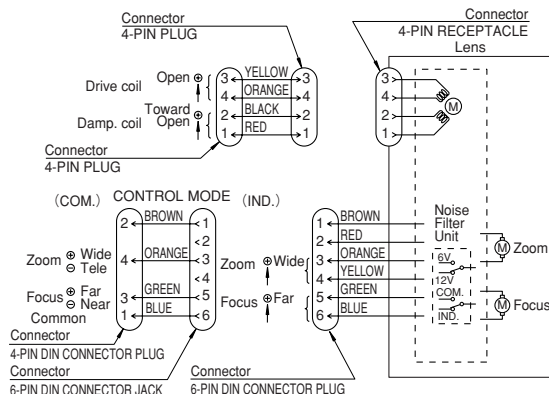
*Photograph is a similar model.

- Standard zoom lens with the excellent cost performance
- Multiple power supply (6V, ±6V, 12V, ±12V) supported, enabling the use of existing control systems
- Built-in ND filter of T400, supporting super sensitive cameras



Focal Length (mm)		8~96 (12x)	
Iris Range		F2.0 ~ T400 (Equivalent to F400)	
Operation	Zoom	Motor Drive	
	Focus	Motor Drive	
Angle Of View (HxV)	Iris		Auto (DC Type) (*1)
	1/2"	WIDE	43°36' X 33°24'
		TELE	3°49' X 2°52'
	1/3"	WIDE	33°24' X 25°22'
		TELE	2°52' X 2°09'
	1/4"	WIDE	25°22' X 19°09'
TELE		2°09' X 1°37'	
Focusing Range (From Front Of The Lens) (m)		∞ ~ 1.3	
Object Dimensions at M.O.D. (HxV) (mm)	1/2"	WIDE	1003 X 753
		TELE	84 X 63
	1/3"	WIDE	752 X 565
		TELE	63 X 47
1/4"	WIDE	564 X 424	
	TELE	47 X 35	
Back Focal Distance (in air) (mm)		16.22	
Exit Pupil Position (From Image Plane) (mm)		-51	
Filter Thread (mm)		M55 X 0.75	
Mount		CS	
Mass (g)		330	
Coil Resistance		Drive Coil	180Ω
		Damping Coil	720Ω
Current Consumption		24mA (Max.) at DC 4V	
Standard Accessories		Iris Control Cable Conversion Cable (6-pin→4-pin) Connection Connector (4-pin, 6-pin)	
Remarks		• With Metal Mount (*1) When power is turned off, iris will automatically be closed.	

Wiring



ZOOM LENSES

Accessories

Close-up Lens

Product Name	CL3355 (M55X0.75mm fc=333mm)	CL10055 (M55X0.75mm fc=1000mm)		
Imaging Scope (mm)	333~250	1000~500		
Camera Image Size Range	1/2" 1/3" 1/4"	1/2" 1/3" 1/4"		
Object Dimensions (mm)	TELE 1/2"	17X13	TELE 1/2"	37X27
	1/3"	13X10	1/3"	27X21
	1/4"	10X7	1/4"	21X15
	WIDE 1/2"	203X152	WIDE 1/2"	436X327
	1/3"	152X114	1/3"	327X245
	1/4"	114X86	1/4"	245X184

Control Unit

Product Name	CRD-2A	CRD-2B
Operation	Zoom, Focus	
Power Source	AC 100V/120V/220V/240V 50/60Hz	

AC Power Cord

Japan	PCA-1
U.S.A./Canada	PCA-2
Continental Europe	PCA-3
Australia	PCA-4
Without AC Plug	PCA-5

Extension Cable

CRD-2A	CEC-AA102-11 (10m) CEC-AA202-11 (20m)
CRD-2B	CEC-AB102-11 (10m) CEC-AB202-11 (20m)



For Security
Zoom

D12x8A-YE2

Applicable camera (model)

1	2/3	1/2	1/3	1/4
---	-----	-----	-----	-----

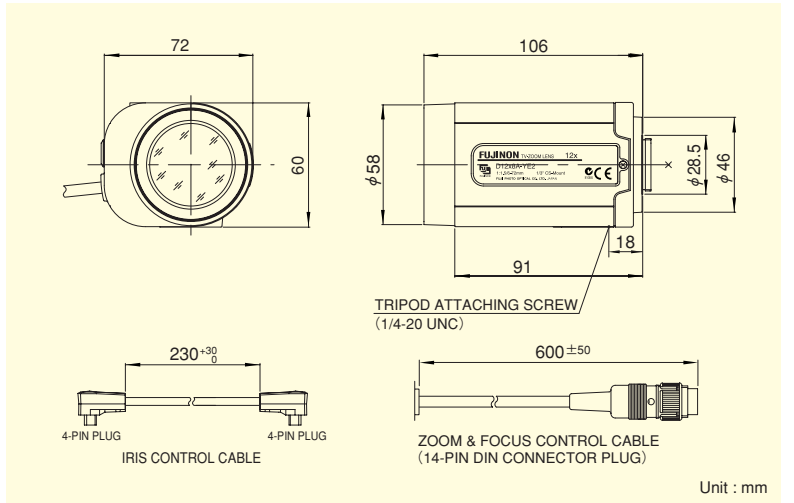
ZOOM Zoom	WIDE Wide Angle	TELE Telephoto Long Focal	MOTOR DRIVE Motor Drive	DC DC Auto Iris	CS-mt CS Mount	METAL Metal Mount
					PRESET Potentiometer	ND ND Filter

12x



*Photograph is a similar model.

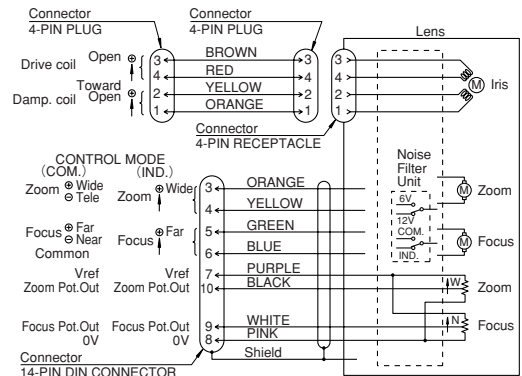
- Standard zoom lens with the excellent cost performance
- Multiple power supply (6V, ±6V, 12V, ±12V) supported, enabling the use of existing control systems
- Built-in potentiometer, supporting the preset-enabled specification
- Built-in ND filter of T400, supporting super sensitive cameras



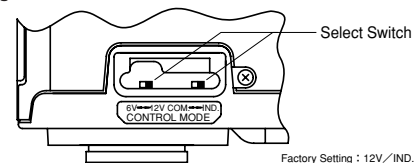
ZOOM LENSES

Focal Length (mm)		8~96 (12x)	
Iris Range		F2.0 ~ T400 (Equivalent to F400)	
Operation	Zoom	Motor Drive	
	Focus	Motor Drive	
	Iris	Auto (DC Type) (*1)	
Angle Of View (H×V)	1/2"	WIDE	43°36' × 33°24'
		TELE	3°49' × 2°52'
	1/3"	WIDE	33°24' × 25°22'
		TELE	2°52' × 2°09'
1/4"	WIDE	25°22' × 19°09'	
	TELE	2°09' × 1°37'	
Focusing Range (From Front Of The Lens) (m)		∞ ~ 1.3	
Object Dimensions at M.O.D. (H×V) (mm)	1/2"	WIDE	1003 × 753
		TELE	84 × 63
	1/3"	WIDE	752 × 565
		TELE	63 × 47
1/4"	WIDE	564 × 424	
	TELE	47 × 35	
Back Focal Distance (in air) (mm)		16.22	
Exit Pupil Position (From Image Plane) (mm)		-51	
Filter Thread (mm)		M55 × 0.75	
Mount		CS	
Mass (g)		350	
Coil Resistance		Drive Coil	180Ω
		Damping Coil	720Ω
Current Consumption		24mA (Max.) at DC 4V	
Standard Accessories		Iris Control Cable	
Remarks		<ul style="list-style-type: none"> • With Metal Mount (*1) When power is turned off, iris will automatically be closed. 	

Wiring



Control Mode



Controller output	Select switch position
6V	6V/IND.
±6V	6V/COM.
12V	12V/IND.
±12V	12V/COM.

Accessories

Close-up Lens

Model	CL3355 (M55×0.75mm fc=333mm)	CL10055 (M55×0.75mm fc=1000mm)		
Imaging Scope (mm)	333~250	1000~500		
Camera Image Size Range	1/2" 1/3" 1/4"	1/2" 1/3" 1/4"		
Object Dimensions (mm)	TELE 1/2"	17×13	TELE 1/2"	37×27
	TELE 1/3"	13×10	TELE 1/3"	27×21
	TELE 1/4"	10×7	TELE 1/4"	21×15
	WIDE 1/2"	203×152	WIDE 1/2"	436×327
	WIDE 1/3"	152×114	WIDE 1/3"	327×245
	WIDE 1/4"	114×86	WIDE 1/4"	245×184