



**For Security**  
**Vari-Focal**

Applicable camera (model)

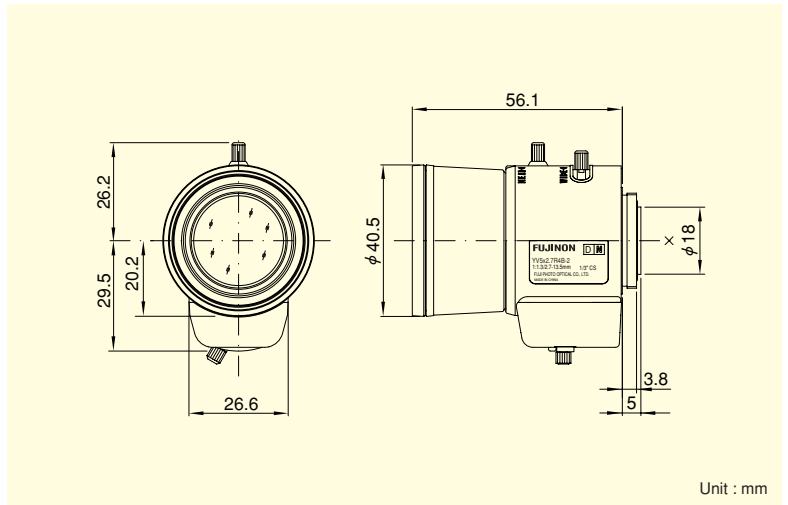
# YV5×2.7R4B-2

1	2/3	1/2	1/3	1/4
---	-----	-----	-----	-----

5×



<b>VARI</b> Vari-Focal	<b>WIDE</b> Wide Angle	<b>TELE</b> Telephoto Long Focal	<b>Day~ Night</b> Day & Night	<b>MANUAL</b> Manual Iris	<b>CS-mt</b> CS Mount	<b>METAL</b> Metal Mount
					<b>AT</b> Aspherical Lens	<b>F1.3</b> Wide Aperture Rate



Unit : mm

- Advanced design engineering and special optic glass adopted, best suited for color, monochrome and day and night cameras
- Wide range of f2.7-13.5mm, supporting various applications
- Wide aperture of F1.3, optimizing the performance at low lighting intensity
- High accuracy aspheric lens adopted, achieving the high quality image

VARI-FOCAL LENSES

Fixed Focal (mm)		2.7~13.5 (5×)	
Iris Range		F1.3 ~ Close	
Operation	Zoom	Manual	
	Focus	Manual	
	Iris	Manual	
Angle Of View (H×V)	1/3"	WIDE	99°42' × 74°17'
		TELE	20°37' × 15°30'
	1/4"	WIDE	74°17' × 55°26'
		TELE	15°30' × 11°38'
Focusing Range (From Front Of The Lens) (m)		∞ ~ 0.3	
Object Dimensions at M.O.D. (H×V) (mm)	1/3"	WIDE	741 × 473
		TELE	115 × 86
	1/4"	WIDE	473 × 328
		TELE	86 × 64
Back Focal Distance (in air) (mm)		8.91	
Exit Pupil Position (From Image Plane) (mm)		96	
Filter Thread (mm)		—	
Mount		CS	
Mass (g)		65	
Remarks		•Metal Mount	



**For Security**  
**Vari-Focal**

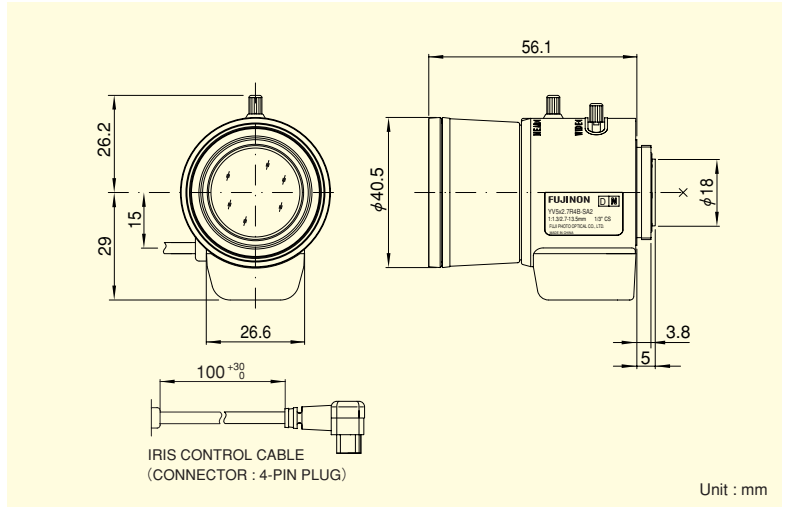
# YV5×2.7R4B-SA2

Applicable camera (model)

1	2/3	1/2	1/3	1/4
---	-----	-----	-----	-----

<b>VARI</b> Vari-Focal	<b>WIDE</b> Wide Angle	<b>TELE</b> Telephoto Long Focal	<b>Day~Night</b> Day & Night	<b>DC</b> DC Auto Iris	<b>CS-mt</b> CS Mount	<b>METAL</b> Metal Mount
<b>ND</b> ND Filter	<b>230</b> Long Cable	<b>AT</b> Aspherical Lens	<b>F1.3</b> Wide Aperture Rate			

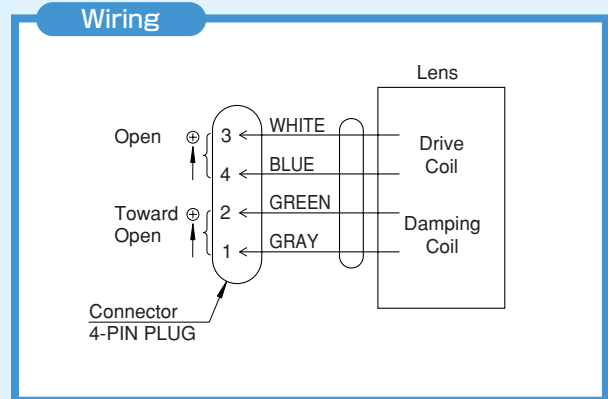
5×



- Advanced design engineering and special optic glass adopted, best suited for color, monochrome and day and night cameras
- Wide range of f2.7-13.5mm, supporting various applications
- Wide aperture of F1.3, optimizing the performance at low lighting intensity
- High accuracy aspherical lens adopted, achieving the high quality image
- Built-in ND filter of T360, supporting super sensitive cameras

VARI-FOCAL LENSES

Focal Length (mm)		2.7~13.5 (5×)	
Iris Range		F1.3 ~ T360 (Equivalent to F360)	
Operation	Zoom	Manual	
	Focus	Manual	
	Iris	Auto (DC Type) (*1)	
Angle Of View (H×V)	1/3"	WIDE	99°42' × 74°17'
		TELE	20°37' × 15°30'
	1/4"	WIDE	74°17' × 55°26'
		TELE	15°30' × 11°38'
Focusing Range (From Front Of The Lens) (m)		∞ ~ 0.3	
Object Dimensions at M.O.D. (H×V) (mm)	1/3"	WIDE	741 × 473
		TELE	115 × 86
	1/4"	WIDE	473 × 328
		TELE	86 × 64
Back Focal Distance (in air) (mm)		8.91	
Exit Pupil Position (From Image Plane) (mm)		96	
Filter Thread (mm)		—	
Mount		CS	
Mass (g)		70	
Coil Resistance		Drive Coil	200Ω
		Damping Coil	720Ω
Current Consumption		22mA (Max.) at DC 4V	
Remarks		• With Metal Mount (*1) When power is turned off, iris will automatically be closed. YV5×2.7R4B-SA2L : Long Cable Type (230mm)	





**For Security**  
**Vari-Focal**

Applicable camera (model)

# YV2.7×2.9LR4A-2

1	2/3	1/2	1/3	1/4
---	-----	-----	-----	-----

2.7x



**VARI**  
Vari-Focal

**WIDE**  
Wide Angle

**Day~Night**  
Day & Night

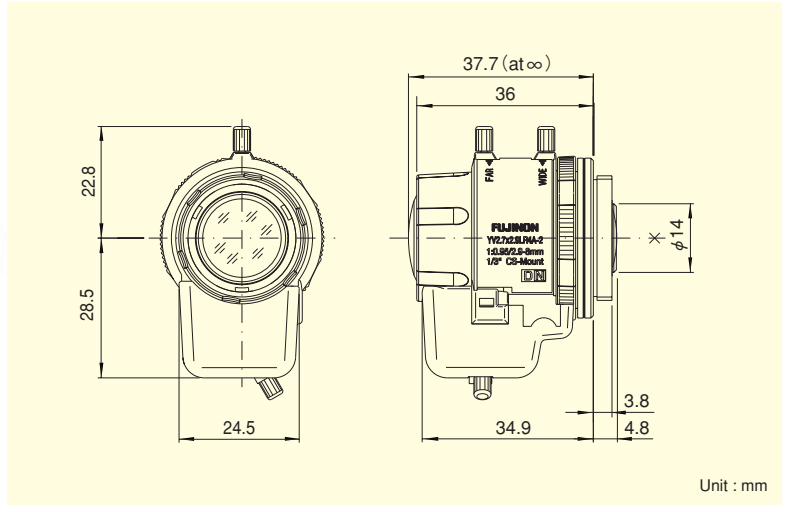
**MANUAL**  
Manual Iris

**CS-mt**  
CS Mount

**METAL**  
Metal Mount

**AT**  
Aspherical Lens

**F0.95**  
Wide Aperture Rate



Unit : mm

- Advanced design engineering and special optic glass adopted, best suited for color, monochrome and day and night cameras
- Unparalleled brightness at the maximum aperture of F0.95, optimizing the performance at low lighting intensity
- Super wide angle spec, WIDE2.9mm, achieving the horizontal field angle of 94 degrees (when used on 1/3 cameras)
- Compact and lightweight design, best suited for the use with dome cameras
- High accuracy aspheric lens adopted, achieving the high quality image

VARI-FOCAL LENSES

Focal Length (mm)		2.9~8 (2.7x)	
Iris Range		F0.95 ~ Close	
Operation	Zoom	Manual	
	Focus	Manual	
	Iris	Manual	
Angle Of View (H×V)	1/3"	WIDE	94°39' × 69°29'
		TELE	35°13' × 26°22'
	1/4"	WIDE	69°29' × 51°29'
		TELE	26°22' × 19°46'
Focusing Range (From Front Of The Lens) (m)		∞ ~ 0.3	
Object Dimensions at M.O.D. (H×V) (mm)	1/3"	WIDE	671 × 428
		TELE	196 × 145
	1/4"	WIDE	428 × 298
		TELE	145 × 107
Back Focal Distance (in air) (mm)		7.7	
Exit Pupil Position (From Image Plane) (mm)		71	
Filter Thread (mm)		—	
Mount		CS	
Mass (g)		35	
Remarks		•Metal Mount	



**For Security**  
**Vari-Focal**

# YV2.7×2.9LR4A-SA2

Applicable camera (model)

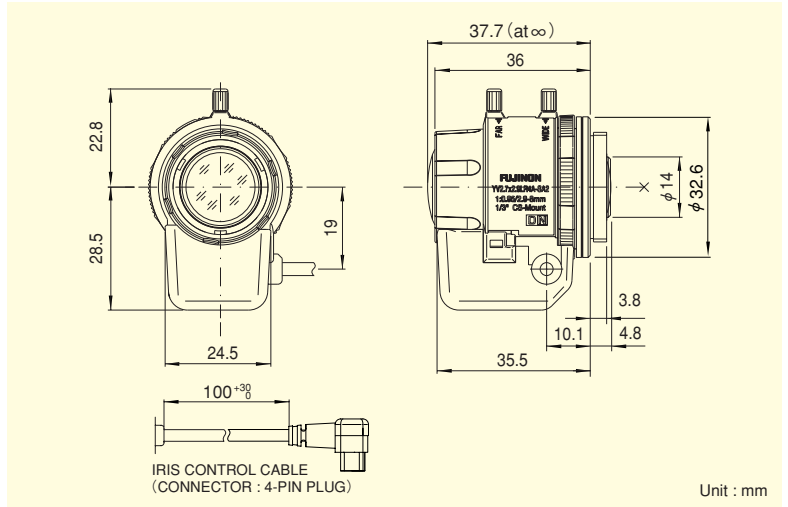
1	2/3	1/2	1/3	1/4
---	-----	-----	-----	-----

2.7x



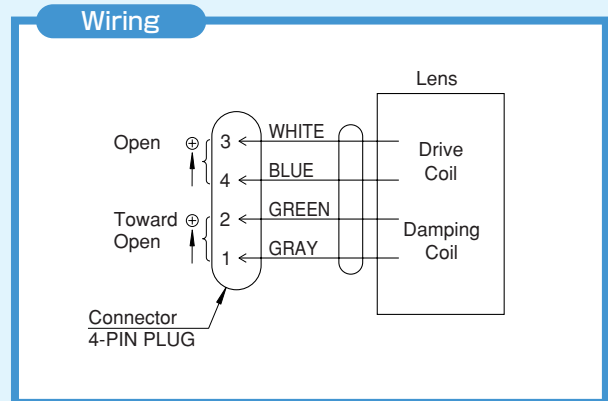
<b>VARI</b> Vari-Focal	<b>WIDE</b> Wide Angle	<b>Day~Night</b> Day & Night	<b>DC</b> DC Auto Iris	<b>CS-mt</b> CS Mount	<b>METAL</b> Metal Mount	<b>ND</b> ND Filter
				<b>230</b> Long Cable	<b>AT</b> Aspherical Lens	<b>F0.95</b> Wide Aperture Rate

- Advanced design engineering and special optic glass adopted, best suited for color, monochrome and day and night cameras
- Unparalleled brightness at the maximum aperture of F0.95, optimizing the performance at low lighting intensity
- Super wide angle spec, WIDE2.9mm, achieving the horizontal field angle of 94 degrees (when used on 1/3 cameras)
- Compact and lightweight design, best suited for the use with dome cameras
- High accuracy aspheric lens adopted, achieving the high quality image



VARI-FOCAL LENSES

Focal Length (mm)		2.9~8 (2.7x)	
Iris Range		F0.95 ~ T360 (Equivalent to F360)	
Operation	Zoom	Manual	
	Focus	Manual	
Angle Of View (H×V)	1/3"	WIDE	94°39' × 69°29'
		TELE	35°13' × 26°22'
	1/4"	WIDE	69°29' × 51°29'
		TELE	26°22' × 19°46'
Focusing Range (From Front Of The Lens) (m)		∞ ~ 0.3	
Object Dimensions at M.O.D. (H×V) (mm)	1/3"	WIDE	671 × 428
		TELE	196 × 145
	1/4"	WIDE	428 × 298
		TELE	145 × 107
Back Focal Distance (in air) (mm)		7.7	
Exit Pupil Position (From Image Plane) (mm)		71	
Filter Thread (mm)		—	
Mount		CS	
Mass (g)		45	
Coil Resistance		Drive Coil	200Ω
		Damping Coil	720Ω
Current Consumption		22mA (Max.) at DC 4V	
Remarks		<ul style="list-style-type: none"> <li>• With Metal Mount</li> <li>(*1) When power is turned off, iris will automatically be closed.</li> </ul> YV2.7×2.9LR4A-SA2L : Long Cable Type (230mm)	





**For Security**  
**Vari-Focal**

Applicable camera (model)

# YV10×5R4A-2

1	2/3	1/2	1/3	1/4
---	-----	-----	-----	-----

10×



**VARI**  
Vari-Focal

**WIDE**  
Wide Angle

**TELE**  
Telephoto  
Long Focal

**Day~  
Night**  
Day & Night

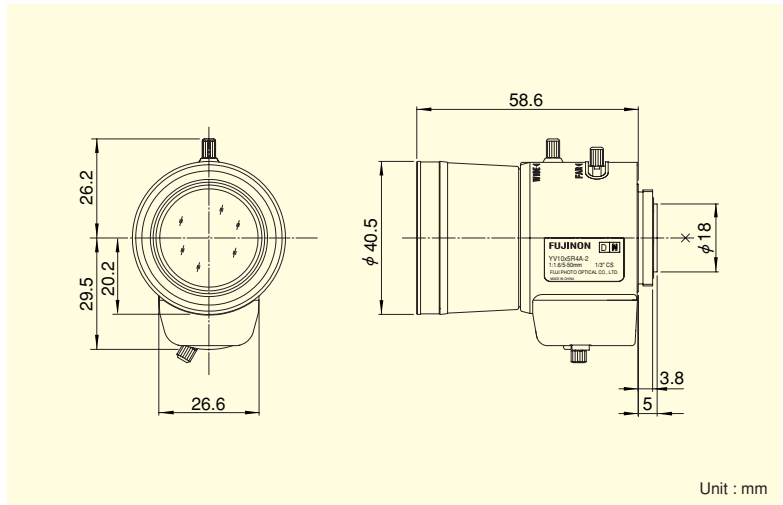
**MANUAL**  
Manual Iris

**CS-mt**  
CS Mount

**METAL**  
Metal Mount

**AT**  
Aspherical Lens

**F1.6**  
Wide Aperture  
Rate



Unit : mm

- Advanced design engineering and special optic glass adopted, best suited for color, monochrome and day and night cameras
- Wide range of f5-50mm, supporting various applications
- Wide aperture of F1.6, optimizing the performance at low lighting intensity
- High accuracy aspheric lens adopted, achieving the high quality image

VARI-FOCAL LENSES

Fixed Focal (mm)		5~50 (10×)	
Iris Range		F1.6 ~ Close	
Operation	Zoom	Manual	
	Focus	Manual	
	Iris	Manual	
Angle Of View (H×V)	1/3"	WIDE	51°17' × 39°36'
		TELE	5°30' × 4°07'
	1/4"	WIDE	39°36' × 30°13'
		TELE	4°07' × 3°06'
Focusing Range (From Front Of The Lens) (m)		∞ ~ 0.3	
Object Dimensions at M.O.D. (H×V) (mm)	1/3"	WIDE	304 × 228
		TELE	54 × 41
	1/4"	WIDE	228 × 171
		TELE	41 × 31
Back Focal Distance (in air) (mm)		7.52	
Exit Pupil Position (From Image Plane) (mm)		-43	
Filter Thread (mm)		—	
Mount		CS	
Mass (g)		80	
Remarks		•Metal Mount	



**For Security**  
**Vari-Focal**

# YV10x5R4A-SA2

Applicable camera (model)

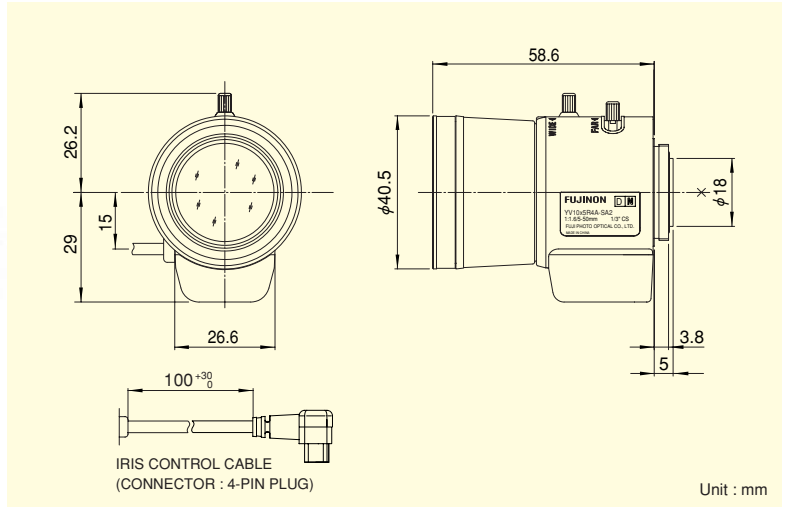
1	2/3	1/2	1/3	1/4
---	-----	-----	-----	-----

<b>VARI</b> Vari-Focal	<b>WIDE</b> Wide Angle	<b>TELE</b> Telephoto Long Focal	<b>Day~Night</b> Day & Night	<b>DC</b> DC Auto Iris	<b>CS-mt</b> CS Mount	<b>METAL</b> Metal Mount
<b>ND</b> ND Filter	<b>230</b> Long Cable	<b>AT</b> Aspherical Lens	<b>F1.6</b> Wide Aperture Rate			

10x



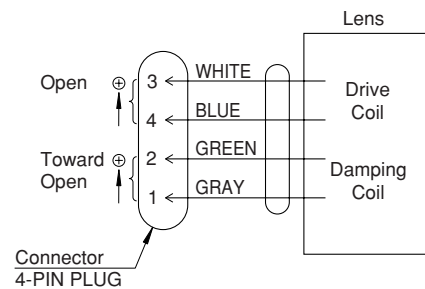
- Advanced design engineering and special optic glass adopted, best suited for color, monochrome and day and night cameras
- Wide range of f5-50mm, supporting various applications
- Wide aperture of F1.6, optimizing the performance at low lighting intensity
- High accuracy aspheric lens adopted, achieving the high quality image
- Built-in ND filter of T360, supporting super sensitive cameras



VARI-FOCAL LENSES

Focal Length (mm)		5~50 (10x)	
Iris Range		F1.6 ~ T360 (Equivalent to F360)	
Operation	Zoom	Manual	
	Focus	Manual	
Angle Of View (H×V)	1/3"	WIDE	51°17' × 39°36'
		TELE	5°30' × 4°07'
	1/4"	WIDE	39°36' × 30°13'
		TELE	4°07' × 3°06'
Focusing Range (From Front Of The Lens) (m)		∞ ~ 0.3	
Object Dimensions at M.O.D. (H×V) (mm)	1/3"	WIDE	304 × 228
		TELE	54 × 41
	1/4"	WIDE	228 × 171
		TELE	41 × 31
Back Focal Distance (in air) (mm)		7.52	
Exit Pupil Position (From Image Plane) (mm)		-43	
Filter Thread (mm)		—	
Mount		CS	
Mass (g)		85	
Coil Resistance		Drive Coil	200Ω
		Damping Coil	720Ω
Current Consumption		22mA (Max.) at DC 4V	
Remarks		<ul style="list-style-type: none"> <li>• With Metal Mount</li> <li>(*1) When power is turned off, iris will automatically be closed.</li> </ul> YV10X5R4A-SA2L : Long Cable Type (230mm)	

## Wiring





**For Security**  
**Vari-Focal**

Applicable camera (model)

# DV5×3.6R4B-2

1	2/3	1/2	1/3	1/4
---	-----	-----	-----	-----

**VARI**  
Vari-Focal

**WIDE**  
Wide Angle

**TELE**  
Telephoto  
Long Focal

**Day~  
Night**  
Day & Night

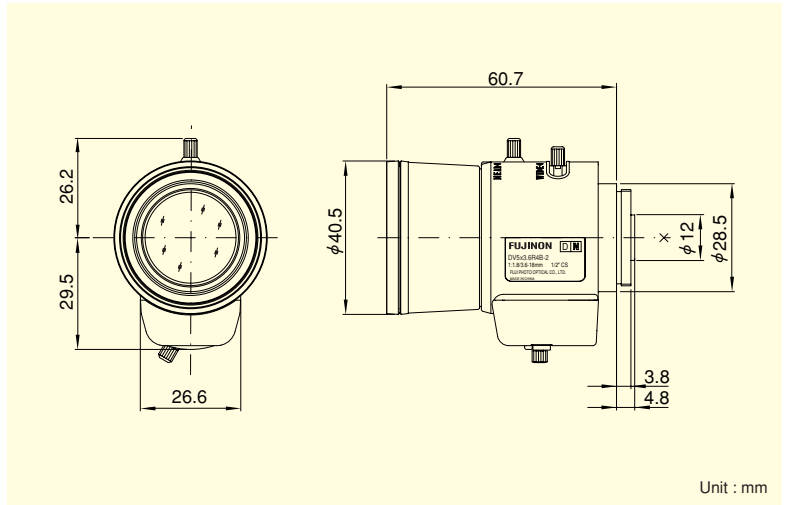
**MANUAL**  
Manual Iris

**CS-mt**  
CS Mount

**METAL**  
Metal Mount

**AT**  
Aspherical Lens

5×



- Advanced design engineering and special optic glass adopted, best suited for color, monochrome and day and night cameras
- Compatible with a wide range - 1/2", 1/3" and 1/4" - cameras
- Wide range of f3.6-18mm, supporting various applications
- High accuracy aspheric lens adopted, achieving the high quality image

VARI-FOCAL LENSES

Focal Length (mm)		3.6~18 (5×)	
Iris Range		F1.8 ~ Close	
Operation	Zoom	Manual	
	Focus	Manual	
		Iris	
		Manual	
Angle Of View (H×V)	1/2"	WIDE	95°54' × 72°24'
		TELE	19°57' × 15°09'
	1/3"	WIDE	72°24' × 54°25'
		TELE	15°09' × 11°38'
	1/4"	WIDE	54°25' × 40°50'
		TELE	11°38' × 8°37'
Focusing Range (From Front Of The Lens) (m)		∞ ~ 0.3	
Object Dimensions at M.O.D. (H×V) (mm)	1/2"	WIDE	694 × 457
		TELE	110 × 83
	1/3"	WIDE	457 × 321
		TELE	83 × 62
	1/4"	WIDE	321 × 232
		TELE	62 × 47
Back Focal Distance (in air) (mm)		7.87	
Exit Pupil Position (From Image Plane) (mm)		-81	
Filter Thread (mm)		—	
Mount		CS	
Mass (g)		65	
Remarks		•Metal Mount	



**For Security**  
**Vari-Focal**

Applicable camera (model)

# DV5×3.6R4B-SA2

1	2/3	1/2	1/3	1/4
---	-----	-----	-----	-----

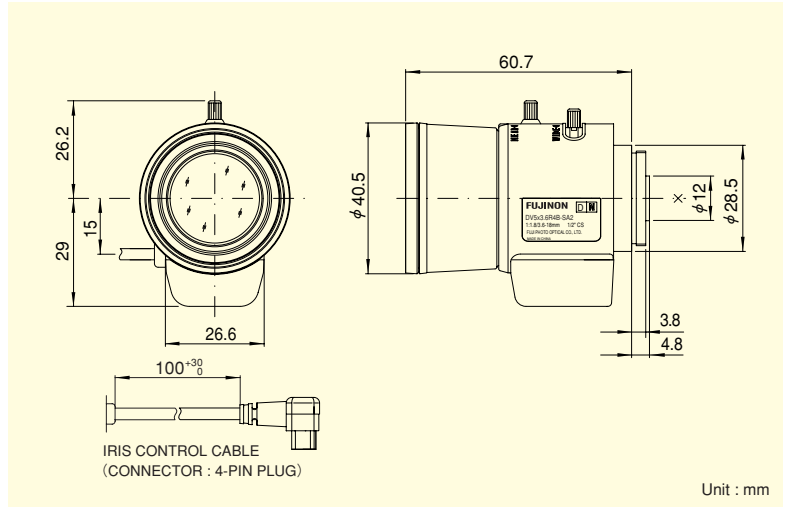
5×



\*Photograph is a similar model.

- Advanced design engineering and special optic glass adopted, best suited for color, monochrome and day and night cameras
- Compatible with a wide range - 1/2", 1/3" and 1/4" - cameras
- Wide range of f3.6-18mm, supporting various applications
- High accuracy aspheric lens adopted, achieving the high quality image
- Built-in ND filter of T360, supporting super sensitive cameras

<b>VARI</b> Vari-Focal	<b>WIDE</b> Wide Angle	<b>TELE</b> Telephoto Long Focal	<b>Day~Night</b> Day & Night	<b>DC</b> DC Auto Iris	<b>CS-mt</b> CS Mount	<b>METAL</b> Metal Mount
<b>ND</b> ND Filter	<b>230</b> Long Cable	<b>AT</b> Aspherical Lens				



VARI-FOCAL LENSES

Focal Length (mm)		3.6~18 (5×)	
Iris Range		F1.8 ~ T360 (Equivalent to F360)	
Operation	Zoom	Manual	
	Focus	Manual	
	Iris	Auto (DC Type) (*1)	
Angle Of View (H×V)	1/2"	WIDE	95°54' × 72°24'
		TELE	19°57' × 15°09'
	1/3"	WIDE	72°24' × 54°25'
		TELE	15°09' × 11°38'
	1/4"	WIDE	54°25' × 40°50'
		TELE	11°38' × 8°37'
Focusing Range (From Front Of The Lens) (m)		∞ ~ 0.3	
Object Dimensions at M.O.D. (H×V) (mm)	1/2"	WIDE	694 × 457
		TELE	110 × 83
	1/3"	WIDE	457 × 321
		TELE	83 × 62
	1/4"	WIDE	321 × 232
		TELE	62 × 47
Back Focal Distance (in air) (mm)		7.87	
Exit Pupil Position (From Image Plane) (mm)		-81	
Filter Thread (mm)		—	
Mount		CS	
Mass (g)		75	
Coil Resistance		Drive Coil	200Ω
		Damping Coil	720Ω
Current Consumption		22mA (Max.) at DC 4V	
Remarks		<ul style="list-style-type: none"> <li>• With Metal Mount</li> <li>(*1) When power is turned off, iris will automatically be closed.</li> </ul> DV5×3.6R4B-SA2L : Long Cable Type (230mm)	

