



For Security
Vari-Focal

Applicable camera (model)

YV5×2.7R4B-2

1	2/3	1/2	1/3	1/4
---	-----	-----	-----	-----

5×



VARI
Vari-Focal

WIDE
Wide Angle

TELE
Telephoto
Long Focal

Day~Night
Day & Night

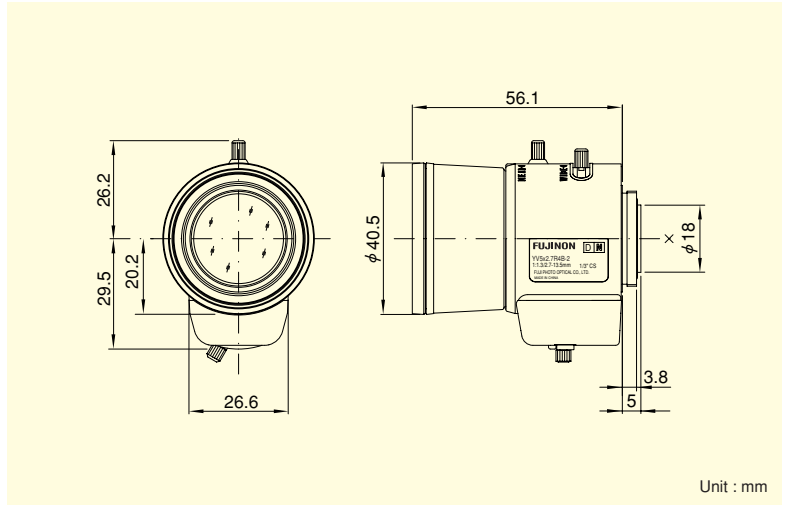
MANUAL
Manual Iris

CS-mt
CS Mount

METAL
Metal Mount

AT
Aspherical Lens

F1.3
Wide Aperture
Rate



Unit : mm

- Advanced design engineering and special optic glass adopted, best suited for color, monochrome and day and night cameras
- Wide range of f2.7-13.5mm, supporting various applications
- Wide aperture of F1.3, optimizing the performance at low lighting intensity
- High accuracy aspheric lens adopted, achieving the high quality image

VARI-FOCAL LENSES

Fixed Focal (mm)		2.7~13.5 (5×)	
Iris Range		F1.3 ~ Close	
Operation	Zoom	Manual	
	Focus	Manual	
	Iris	Manual	
Angle Of View (H×V)	1/3"	WIDE	99°42' × 74°17'
		TELE	20°37' × 15°30'
	1/4"	WIDE	74°17' × 55°26'
		TELE	15°30' × 11°38'
Focusing Range (From Front Of The Lens) (m)		∞ ~ 0.3	
Object Dimensions at M.O.D. (H×V) (mm)	1/3"	WIDE	741 × 473
		TELE	115 × 86
	1/4"	WIDE	473 × 328
		TELE	86 × 64
Back Focal Distance (in air) (mm)		8.91	
Exit Pupil Position (From Image Plane) (mm)		96	
Filter Thread (mm)		—	
Mount		CS	
Mass (g)		65	
Remarks		•Metal Mount	



For Security
Vari-Focal

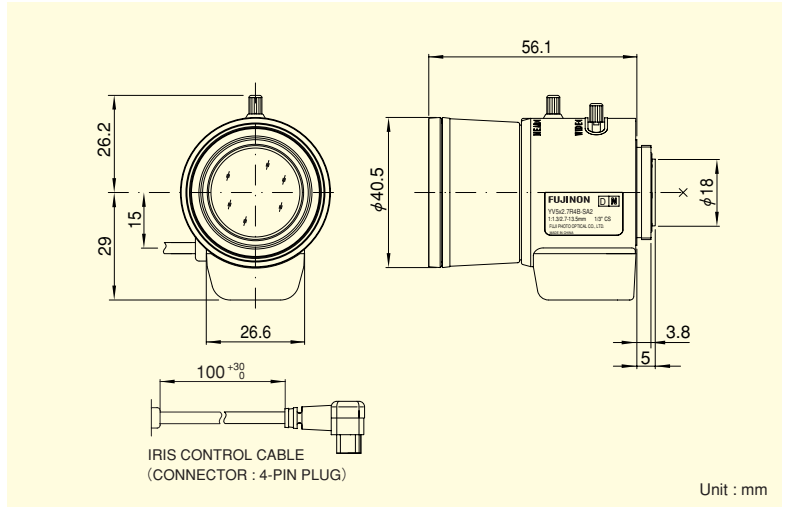
YV5×2.7R4B-SA2

Applicable camera (model)

1	2/3	1/2	1/3	1/4
---	-----	-----	-----	-----

VARI Vari-Focal	WIDE Wide Angle	TELE Telephoto Long Focal	Day~Night Day & Night	DC DC Auto Iris	CS-mt CS Mount	METAL Metal Mount
ND ND Filter	230 Long Cable	AT Aspherical Lens	F1.3 Wide Aperture Rate			

5×

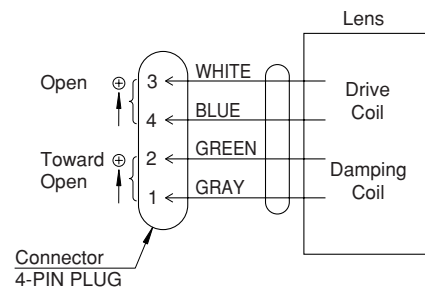


- Advanced design engineering and special optic glass adopted, best suited for color, monochrome and day and night cameras
- Wide range of f2.7-13.5mm, supporting various applications
- Wide aperture of F1.3, optimizing the performance at low lighting intensity
- High accuracy aspheric lens adopted, achieving the high quality image
- Built-in ND filter of T360, supporting super sensitive cameras

VARI-FOCAL LENSES

Focal Length (mm)		2.7~13.5 (5×)	
Iris Range		F1.3 ~ T360 (Equivalent to F360)	
Operation	Zoom	Manual	
	Focus	Manual	
	Iris	Auto (DC Type) (*1)	
Angle Of View (H×V)	1/3"	WIDE	99°42' × 74°17'
		TELE	20°37' × 15°30'
	1/4"	WIDE	74°17' × 55°26'
		TELE	15°30' × 11°38'
Focusing Range (From Front Of The Lens) (m)		∞ ~ 0.3	
Object Dimensions at M.O.D. (H×V) (mm)	1/3"	WIDE	741 × 473
		TELE	115 × 86
	1/4"	WIDE	473 × 328
		TELE	86 × 64
Back Focal Distance (in air) (mm)		8.91	
Exit Pupil Position (From Image Plane) (mm)		96	
Filter Thread (mm)		—	
Mount		CS	
Mass (g)		70	
Coil Resistance		Drive Coil	200Ω
		Damping Coil	720Ω
Current Consumption		22mA (Max.) at DC 4V	
Remarks		<ul style="list-style-type: none"> • With Metal Mount (*1) When power is turned off, iris will automatically be closed. YV5×2.7R4B-SA2L : Long Cable Type (230mm)	

Wiring





For Security
Vari-Focal

Applicable camera (model)

YV2.7×2.9LR4A-2

1	2/3	1/2	1/3	1/4
---	-----	-----	-----	-----

2.7x



VARI
Vari-Focal

WIDE
Wide Angle

Day~Night
Day & Night

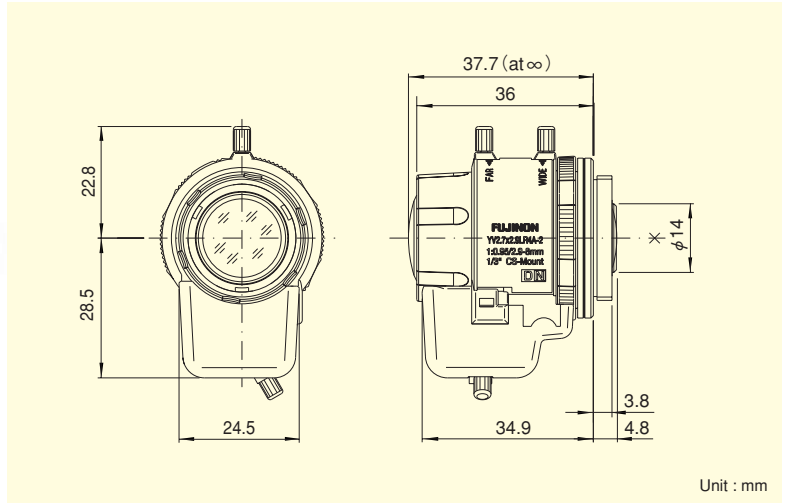
MANUAL
Manual Iris

CS-mt
CS Mount

METAL
Metal Mount

AT
Aspherical Lens

F0.95
Wide Aperture Rate



Unit : mm

- Advanced design engineering and special optic glass adopted, best suited for color, monochrome and day and night cameras
- Unparalleled brightness at the maximum aperture of F0.95, optimizing the performance at low lighting intensity
- Super wide angle spec, WIDE2.9mm, achieving the horizontal field angle of 94 degrees (when used on 1/3 cameras)
- Compact and lightweight design, best suited for the use with dome cameras
- High accuracy aspheric lens adopted, achieving the high quality image

VARI-FOCAL LENSES

Focal Length (mm)		2.9~8 (2.7x)	
Iris Range		F0.95 ~ Close	
Operation	Zoom	Manual	
	Focus	Manual	
	Iris	Manual	
Angle Of View (H×V)	1/3"	WIDE	94°39' × 69°29'
		TELE	35°13' × 26°22'
	1/4"	WIDE	69°29' × 51°29'
		TELE	26°22' × 19°46'
Focusing Range (From Front Of The Lens) (m)		∞ ~ 0.3	
Object Dimensions at M.O.D. (H×V) (mm)	1/3"	WIDE	671 × 428
		TELE	196 × 145
	1/4"	WIDE	428 × 298
		TELE	145 × 107
Back Focal Distance (in air) (mm)		7.7	
Exit Pupil Position (From Image Plane) (mm)		71	
Filter Thread (mm)		—	
Mount		CS	
Mass (g)		35	
Remarks		•Metal Mount	



For Security
Vari-Focal

YV2.7×2.9LR4A-SA2

Applicable camera (model)

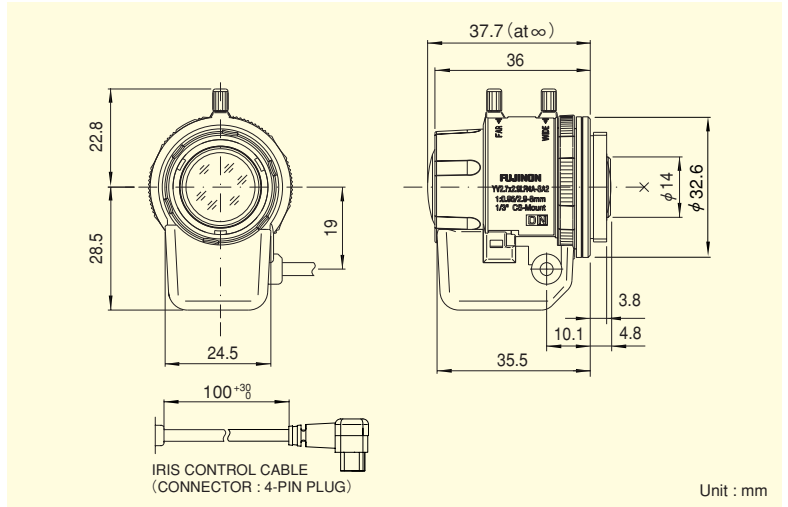
1	2/3	1/2	1/3	1/4
---	-----	-----	-----	-----

2.7x



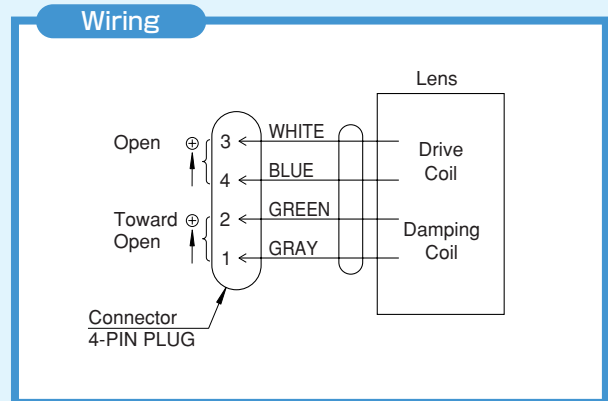
VARI Vari-Focal	WIDE Wide Angle	Day~Night Day & Night	DC DC Auto Iris	CS-mt CS Mount	METAL Metal Mount	ND ND Filter
				230 Long Cable	AT Aspherical Lens	F0.95 Wide Aperture Rate

- Advanced design engineering and special optic glass adopted, best suited for color, monochrome and day and night cameras
- Unparalleled brightness at the maximum aperture of F0.95, optimizing the performance at low lighting intensity
- Super wide angle spec, WIDE2.9mm, achieving the horizontal field angle of 94 degrees (when used on 1/3 cameras)
- Compact and lightweight design, best suited for the use with dome cameras
- High accuracy aspheric lens adopted, achieving the high quality image



VARI-FOCAL LENSES

Focal Length (mm)		2.9~8 (2.7x)	
Iris Range		F0.95 ~ T360 (Equivalent to F360)	
Operation	Zoom	Manual	
	Focus	Manual	
Angle Of View (H×V)	1/3"	WIDE	94°39' × 69°29'
		TELE	35°13' × 26°22'
	1/4"	WIDE	69°29' × 51°29'
		TELE	26°22' × 19°46'
Focusing Range (From Front Of The Lens) (m)		∞ ~ 0.3	
Object Dimensions at M.O.D. (H×V) (mm)	1/3"	WIDE	671 × 428
		TELE	196 × 145
	1/4"	WIDE	428 × 298
		TELE	145 × 107
Back Focal Distance (in air) (mm)		7.7	
Exit Pupil Position (From Image Plane) (mm)		71	
Filter Thread (mm)		—	
Mount		CS	
Mass (g)		45	
Coil Resistance		Drive Coil	200Ω
		Damping Coil	720Ω
Current Consumption		22mA (Max.) at DC 4V	
Remarks		<ul style="list-style-type: none"> • With Metal Mount (*1) When power is turned off, iris will automatically be closed. YV2.7×2.9LR4A-SA2L : Long Cable Type (230mm)	





For Security
Vari-Focal

Applicable camera (model)

YV10×5R4A-2

1	2/3	1/2	1/3	1/4
---	-----	-----	-----	-----

10×



VARI
Vari-Focal

WIDE
Wide Angle

TELE
Telephoto
Long Focal

**Day~
Night**
Day & Night

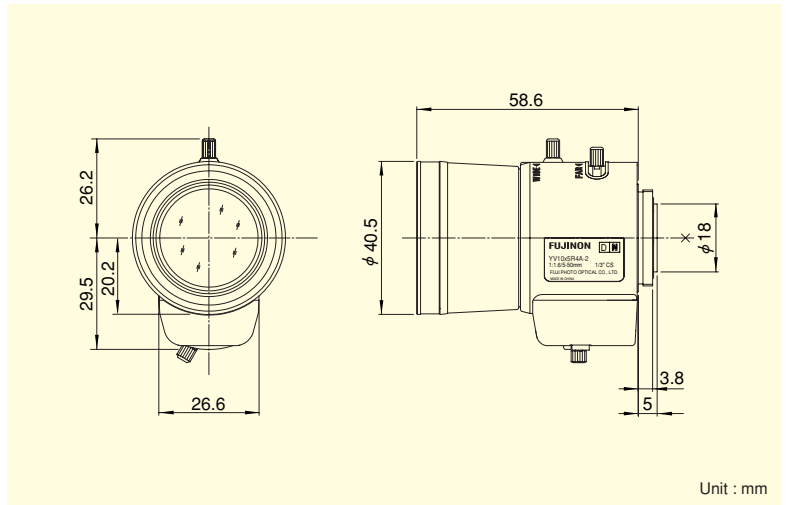
MANUAL
Manual Iris

CS-mt
CS Mount

METAL
Metal Mount

AT
Aspherical Lens

F1.6
Wide Aperture
Rate



- Advanced design engineering and special optic glass adopted, best suited for color, monochrome and day and night cameras
- Wide range of f5-50mm, supporting various applications
- Wide aperture of F1.6, optimizing the performance at low lighting intensity
- High accuracy aspheric lens adopted, achieving the high quality image

VARI-FOCAL LENSES

Fixed Focal (mm)		5~50 (10×)	
Iris Range		F1.6 ~ Close	
Operation	Zoom	Manual	
	Focus	Manual	
	Iris	Manual	
Angle Of View (H×V)	1/3"	WIDE	51°17' × 39°36'
		TELE	5°30' × 4°07'
	1/4"	WIDE	39°36' × 30°13'
		TELE	4°07' × 3°06'
Focusing Range (From Front Of The Lens) (m)		∞ ~ 0.3	
Object Dimensions at M.O.D. (H×V) (mm)	1/3"	WIDE	304 × 228
		TELE	54 × 41
	1/4"	WIDE	228 × 171
		TELE	41 × 31
Back Focal Distance (in air) (mm)		7.52	
Exit Pupil Position (From Image Plane) (mm)		-43	
Filter Thread (mm)		—	
Mount		CS	
Mass (g)		80	
Remarks		•Metal Mount	



For Security
Vari-Focal

Applicable camera (model)

YV10x5R4A-SA2

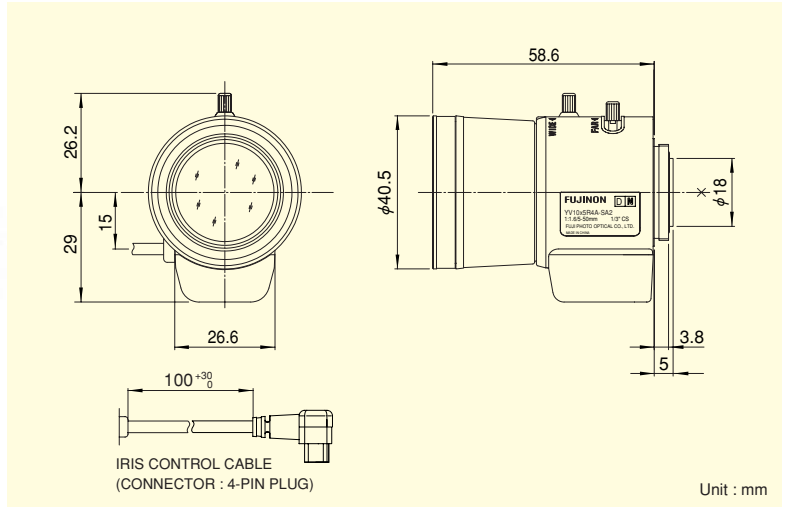
1	2/3	1/2	1/3	1/4
---	-----	-----	-----	-----

10x



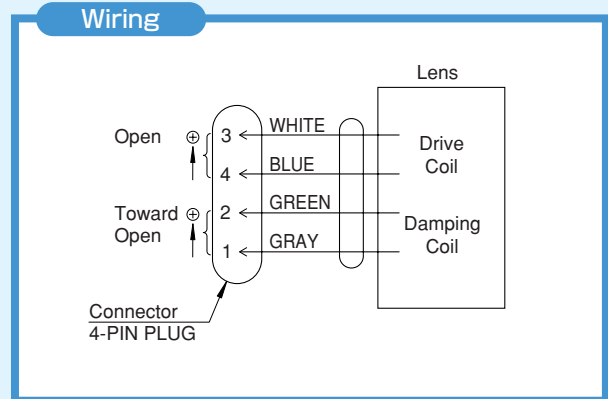
VARI Vari-Focal	WIDE Wide Angle	TELE Telephoto Long Focal	Day~Night Day & Night	DC DC Auto Iris	CS-mt CS Mount	METAL Metal Mount
ND ND Filter	230 Long Cable	AT Aspherical Lens	F1.6 Wide Aperture Rate			

- Advanced design engineering and special optic glass adopted, best suited for color, monochrome and day and night cameras
- Wide range of f5-50mm, supporting various applications
- Wide aperture of F1.6, optimizing the performance at low lighting intensity
- High accuracy aspheric lens adopted, achieving the high quality image
- Built-in ND filter of T360, supporting super sensitive cameras



VARI-FOCAL LENSES

Focal Length (mm)		5~50 (10x)	
Iris Range		F1.6 ~ T360 (Equivalent to F360)	
Operation	Zoom	Manual	
	Focus	Manual	
Angle Of View (H×V)	1/3"	WIDE	51°17' × 39°36'
		TELE	5°30' × 4°07'
	1/4"	WIDE	39°36' × 30°13'
		TELE	4°07' × 3°06'
Focusing Range (From Front Of The Lens) (m)		∞ ~ 0.3	
Object Dimensions at M.O.D. (H×V) (mm)	1/3"	WIDE	304 × 228
		TELE	54 × 41
	1/4"	WIDE	228 × 171
		TELE	41 × 31
Back Focal Distance (in air) (mm)		7.52	
Exit Pupil Position (From Image Plane) (mm)		-43	
Filter Thread (mm)		—	
Mount		CS	
Mass (g)		85	
Coil Resistance		Drive Coil	200Ω
		Damping Coil	720Ω
Current Consumption		22mA (Max.) at DC 4V	
Remarks		<ul style="list-style-type: none"> • With Metal Mount (*1) When power is turned off, iris will automatically be closed. YV10X5R4A-SA2L : Long Cable Type (230mm)	





For Security
Vari-Focal

Applicable camera (model)

DV5×3.6R4B-2

1	2/3	1/2	1/3	1/4
---	-----	-----	-----	-----

VARI
Vari-Focal

WIDE
Wide Angle

TELE
Telephoto
Long Focal

**Day~
Night**
Day & Night

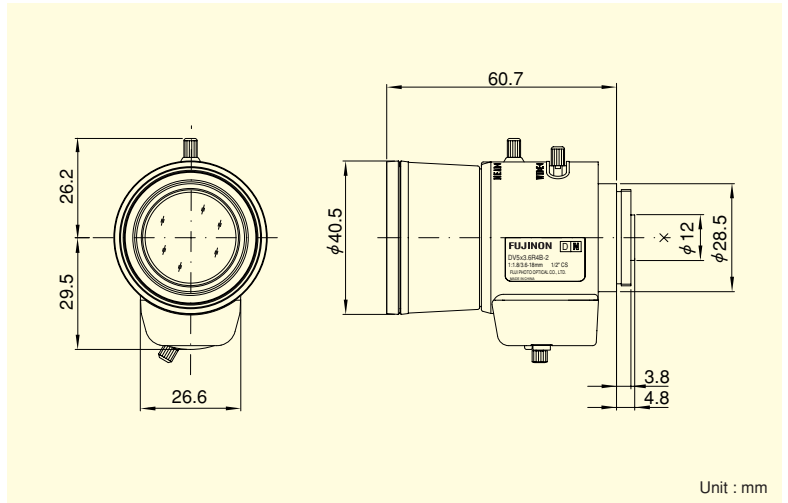
MANUAL
Manual Iris

CS-mt
CS Mount

METAL
Metal Mount

AT
Aspherical Lens

5×



- Advanced design engineering and special optic glass adopted, best suited for color, monochrome and day and night cameras
- Compatible with a wide range - 1/2", 1/3" and 1/4" - cameras
- Wide range of f3.6-18mm, supporting various applications
- High accuracy aspheric lens adopted, achieving the high quality image

VARI-FOCAL LENSES

Focal Length (mm)		3.6~18 (5×)	
Iris Range		F1.8 ~ Close	
Operation	Zoom	Manual	
	Focus	Manual	
Iris		Manual	
Angle Of View (H×V)	1/2"	WIDE	95°54' × 72°24'
		TELE	19°57' × 15°09'
	1/3"	WIDE	72°24' × 54°25'
		TELE	15°09' × 11°38'
	1/4"	WIDE	54°25' × 40°50'
		TELE	11°38' × 8°37'
Focusing Range (From Front Of The Lens) (m)		$\infty \sim 0.3$	
Object Dimensions at M.O.D. (H×V) (mm)	1/2"	WIDE	694 × 457
		TELE	110 × 83
	1/3"	WIDE	457 × 321
		TELE	83 × 62
	1/4"	WIDE	321 × 232
		TELE	62 × 47
Back Focal Distance (in air) (mm)		7.87	
Exit Pupil Position (From Image Plane) (mm)		-81	
Filter Thread (mm)		—	
Mount		CS	
Mass (g)		65	
Remarks		•Metal Mount	



For Security
Vari-Focal

Applicable camera (model)

DV5×3.6R4B-SA2

1	2/3	1/2	1/3	1/4
---	-----	-----	-----	-----

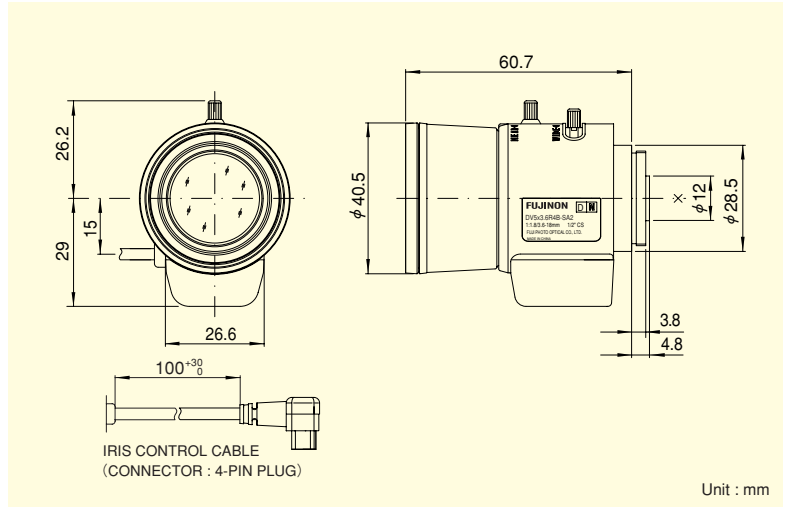
5×



*Photograph is a similar model.

VARI Vari-Focal	WIDE Wide Angle	TELE Telephoto Long Focal	Day~Night Day & Night	DC DC Auto Iris	CS-mt CS Mount	METAL Metal Mount
ND ND Filter	230 Long Cable	AT Aspherical Lens				

- Advanced design engineering and special optic glass adopted, best suited for color, monochrome and day and night cameras
- Compatible with a wide range - 1/2", 1/3" and 1/4" - cameras
- Wide range of f3.6-18mm, supporting various applications
- High accuracy aspheric lens adopted, achieving the high quality image
- Built-in ND filter of T360, supporting super sensitive cameras



VARI-FOCAL LENSES

Focal Length (mm)		3.6~18 (5×)	
Iris Range		F1.8 ~ T360 (Equivalent to F360)	
Operation	Zoom	Manual	
	Focus	Manual	
	Iris	Auto (DC Type) (*1)	
Angle Of View (H×V)	1/2"	WIDE	95°54' × 72°24'
		TELE	19°57' × 15°09'
	1/3"	WIDE	72°24' × 54°25'
		TELE	15°09' × 11°38'
	1/4"	WIDE	54°25' × 40°50'
		TELE	11°38' × 8°37'
Focusing Range (From Front Of The Lens) (m)		∞ ~ 0.3	
Object Dimensions at M.O.D. (H×V) (mm)	1/2"	WIDE	694 × 457
		TELE	110 × 83
	1/3"	WIDE	457 × 321
		TELE	83 × 62
	1/4"	WIDE	321 × 232
		TELE	62 × 47
Back Focal Distance (in air) (mm)		7.87	
Exit Pupil Position (From Image Plane) (mm)		-81	
Filter Thread (mm)		—	
Mount		CS	
Mass (g)		75	
Coil Resistance		Drive Coil	200Ω
		Damping Coil	720Ω
Current Consumption		22mA (Max.) at DC 4V	
Remarks	<ul style="list-style-type: none"> • With Metal Mount (*1) When power is turned off, iris will automatically be closed. DV5×3.6R4B-SA2L : Long Cable Type (230mm)		

