



For FA/Machine Vision Fixed Focal

DF6HA-1B

Applicable camera (model)

1	2/3	1/2	1/3	1/4
---	-----	-----	-----	-----

FIXED

Fixed Focal

**1.5
Mega**

For Megapixel
Camera

MANUAL

Manual Iris

C-mt

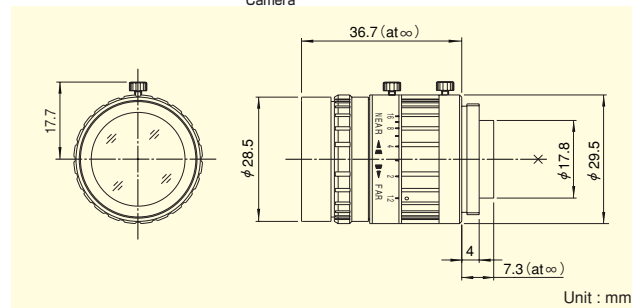
C Mount

METAL

Metal Mount



- Design achieving the high resolution, supporting up to 1.5 mega pixel cameras
- Designed for low distortion, enabling faithful image input
- Compact, lightweight and robust design, supporting various systems
- Focus & iris lock tab provided, supporting environments such as vibration



Focal Length (mm)		6
Iris Range		F1.2 ~ F16
Operation	Focus	Manual
	Iris	Manual
Angle Of View (H×V)	1/2"	56°09' × 43°36'
	1/3"	43°36' × 33°24'
	1/4"	33°24' × 25°22'
Focusing Range (From Front Of The Lens) (m)		∞ ~ 0.1
Object Dimensions at M.O.D. (H×V) (mm)	1/2"	122 × 92
	1/3"	92 × 69
	1/4"	69 × 52
Back Focal Distance (in air) (mm)		11.44
Exit Pupil Position (From Image Plane) (mm)		-46
Filter Thread (mm)		M27 × 0.5
Mount		C
Mass (g)		55

Remarks

- With Metal Mount
- With Locking Knob for Iris and Focus



For FA/Machine Vision Fixed Focal

HF9HA-1B

Applicable camera (model)

1	2/3	1/2	1/3	1/4

FIXED
Fixed Focal

1.5 Mega
For Megapixel Camera

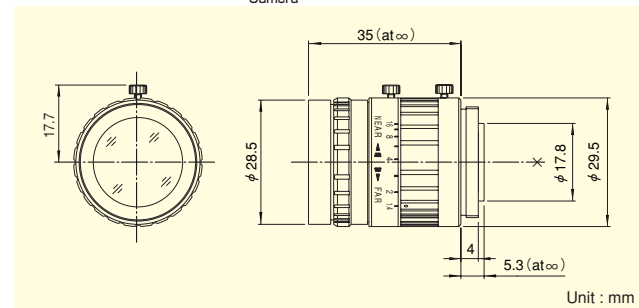
MANUAL
Manual Iris

C-mt
C Mount

METAL
Metal Mount



- Design achieving the high resolution, supporting up to 1.5 mega pixel cameras
- Designed for low distortion, enabling faithful image input
- Compact, lightweight and robust design, supporting various systems
- Focus & iris lock tab provided, supporting environments such as vibration



Focal Length (mm)		9
Iris Range		F1.4 ~ F16
Operation	Focus	Manual
	Iris	Manual
Angle Of View (H×V)	2/3"	52°06' × 40°16'
	1/2"	39°09' × 29°52'
	1/3"	29°52' × 22°37'
Focusing Range (From Front Of The Lens) (m)		∞ ~ 0.1
Object Dimensions at M.O.D. (H×V) (mm)	2/3"	108 × 81
	1/2"	79 × 59
	1/3"	59 × 44
Back Focal Distance (in air) (mm)		13.48
Exit Pupil Position (From Image Plane) (mm)		-27.9
Filter Thread (mm)		M27 × 0.5
Mount		C
Mass (g)		55

Remarks

- With Metal Mount
- With Locking Knob for Iris and Focus



**For FA/Machine Vision
Fixed Focal**

HF12.5HA-1B

Applicable camera (model)

1	2/3	1/2	1/3	1/4

FIXED
Fixed Focal

1.5 Mega
For Megapixel
Camera

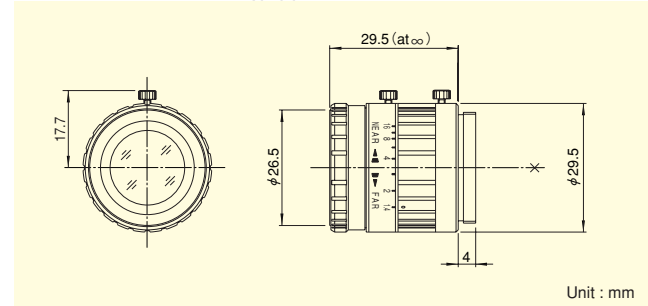
MANUAL
Manual Iris

C-mt
C Mount

METAL
Metal Mount



- Design achieving the high resolution, supporting up to 1.5 mega pixel cameras
- Designed for low distortion, enabling faithful image input
- Compact, lightweight and robust design, supporting various systems
- Focus & iris lock tab provided, supporting environments such as vibration



Focal Length (mm)		12.5
Iris Range		F1.4 ~ F16
Operation	Focus	Manual
	Iris	Manual
Angle Of View (H×V)	2/3"	38°47' × 29°35'
	1/2"	28°43' × 21°44'
	1/3"	21°44' × 16°23'
Focusing Range (From Front Of The Lens) (m)		∞ ~ 0.1
Object Dimensions at M.O.D. (H×V) (mm)	2/3"	78 × 58
	1/2"	57 × 42
	1/3"	42 × 32
Back Focal Distance (in air) (mm)		15.09
Exit Pupil Position (From Image Plane) (mm)		-31.3
Filter Thread (mm)		M25.5 × 0.5
Mount		C
Mass (g)		45

- Remarks
- With Metal Mount
 - With Locking Knob for Iris and Focus

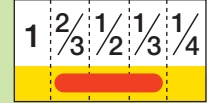
FIXED FOCAL LENGTH LENSES



**For FA/Machine Vision
Fixed Focal**

HF16HA-1B

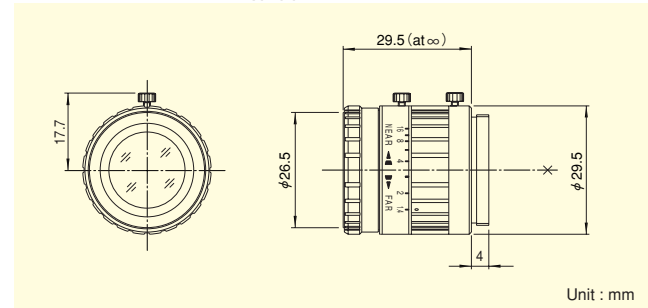
Applicable camera (model)



- FIXED**
Fixed Focal
- 1.5
Mega**
For Megapixel
Camera
- MANUAL**
Manual Iris
- C-mt**
C Mount
- METAL**
Metal Mount



- Design achieving the high resolution, supporting up to 1.5 mega pixel cameras
- Designed for low distortion, enabling faithful image input
- Compact, lightweight and robust design, supporting various systems
- Focus & iris lock tab provided, supporting environments such as vibration



Focal Length (mm)		16
Iris Range		F1.4 ~ F16
Operation	Focus	Manual
	Iris	Manual
Angle Of View (H×V)	2/3"	30°45' × 23°18'
	1/2"	22°37' × 17°04'
	1/3"	17°04' × 12°50'
Focusing Range (From Front Of The Lens) (m)		∞ ~ 0.1
Object Dimensions at M.O.D. (H×V) (mm)	2/3"	63 × 47
	1/2"	46 × 34
	1/3"	34 × 26
Back Focal Distance (in air) (mm)		15.15
Exit Pupil Position (From Image Plane) (mm)		-30.9
Filter Thread (mm)		M25.5 × 0.5
Mount		C
Mass (g)		45

- Remarks
- With Metal Mount
 - With Locking Knob for Iris and Focus



For FA/Machine Vision Fixed Focal

HF25HA-1B

Applicable camera (model)

1	2/3	1/2	1/3	1/4

FIXED
Fixed Focal

1.5 Mega
For Megapixel
Camera

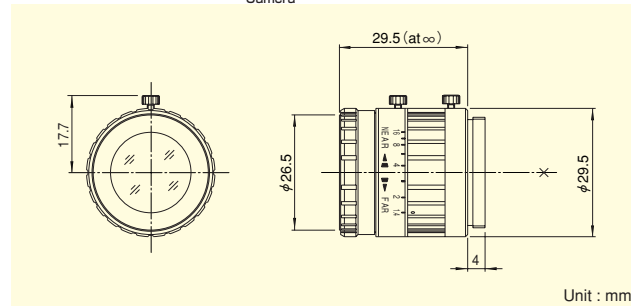
MANUAL
Manual Iris

C-mt
C Mount

METAL
Metal Mount



- Design achieving the high resolution, supporting up to 1.5 mega pixel cameras
- Designed for low distortion, enabling faithful image input
- Compact, lightweight and robust design, supporting various systems
- Focus & iris lock tab provided, supporting environments such as vibration



Focal Length (mm)		25
Iris Range		F1.4 ~ F22
Operation	Focus	Manual
	Iris	Manual
Angle Of View (H×V)	2/3"	19°58' × 15°02'
	1/2"	14°35' × 10°58'
	1/3"	10°58' × 8°14'
Focusing Range (From Front Of The Lens) (m)		∞ ~ 0.15
Object Dimensions at M.O.D. (H×V) (mm)	2/3"	53 × 40
	1/2"	38 × 29
	1/3"	29 × 22
Back Focal Distance (in air) (mm)		14.58
Exit Pupil Position (From Image Plane) (mm)		-32.4
Filter Thread (mm)		M25.5 × 0.5
Mount		C
Mass (g)		45

- Remarks
- With Metal Mount
 - With Locking Knob for Iris and Focus



For FA/Machine Vision
Fixed Focal

HF35HA-1B

Applicable camera (model)

1 2/3" 1/2" 1/3" 1/4"

FIXED
Fixed Focal

1.5 Mega
For Megapixel Camera

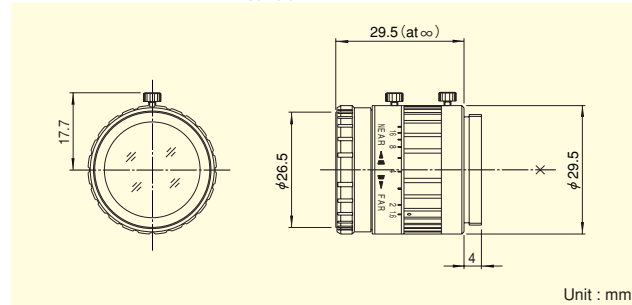
MANUAL
Manual Iris

C-mt
C Mount

METAL
Metal Mount



- Design achieving the high resolution, supporting up to 1.5 mega pixel cameras
- Designed for low distortion, enabling faithful image input
- Compact, lightweight and robust design, supporting various systems
- Focus & iris lock tab provided, supporting environments such as vibration



Focal Length (mm)		35
Iris Range		F1.6 ~ F22
Operation	Focus	Manual
	Iris	Manual
Angle Of View (H×V)	2/3"	14°20' × 10°46'
	1/2"	10°27' × 7°51'
	1/3"	7°51' × 5°53'
Focusing Range (From Front Of The Lens) (m)		∞ ~ 0.25
Object Dimensions at M.O.D. (H×V) (mm)	2/3"	59 × 44
	1/2"	43 × 32
	1/3"	32 × 24
Back Focal Distance (in air) (mm)		15.03
Exit Pupil Position (From Image Plane) (mm)		-26.6
Filter Thread (mm)		M25.5 × 0.5
Mount		C
Mass (g)		45

- Remarks
- With Metal Mount
 - With Locking Knob for Iris and Focus



For FA/Machine Vision Fixed Focal

HF50HA-1B

Applicable camera (model)

1	2/3	1/2	1/3	1/4

FIXED
Fixed Focal

1.5 Mega
For Megapixel
Camera

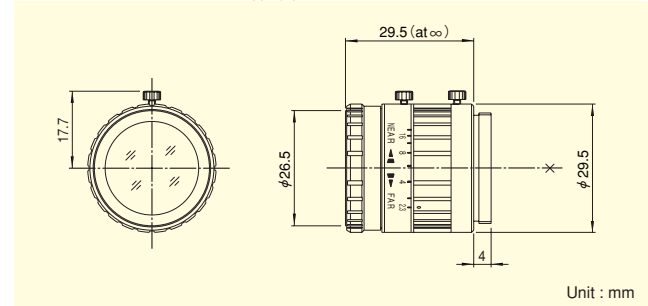
MANUAL
Manual Iris

C-mt
C Mount

METAL
Metal Mount



- Designed for high resolution, supporting 1.5 mega pixel cameras
- Designed for low distortion, enabling faithful image input
- Compact, lightweight and robust design, supporting various systems
- Focus & iris lock tab provided, supporting environments such as vibration



Focal Length (mm)		50
Iris Range		F2.3 ~ F22
Operation	Focus	Manual
	Iris	Manual
Angle Of View (H×V)	2/3"	10°03' × 7°33'
	1/2"	7°19' × 5°30'
	1/3"	5°30' × 4°07'
Focusing Range (From Front Of The Lens) (m)		∞ ~ 0.5
Object Dimensions at M.O.D. (H×V) (mm)	2/3"	77 × 57
	1/2"	56 × 42
	1/3"	42 × 31
Back Focal Distance (in air) (mm)		15.26
Exit Pupil Position (From Image Plane) (mm)		-25.1
Filter Thread (mm)		M25.5 × 0.5
Mount		C
Mass (g)		45

Remarks

- With Metal Mount
- With Locking Knob for Iris and Focus



For FA/Machine Vision
Fixed Focal

HF75HA-1B

Applicable camera (model)



FIXED
Fixed Focal

1.5 Mega
For Megapixel Camera

MANUAL
Manual Iris

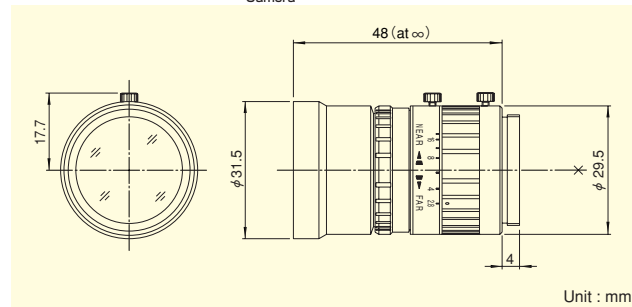
C-mt
C Mount

METAL
Metal Mount



- Design achieving the high resolution, supporting up to 1.5 mega pixel cameras
- Designed for low distortion, enabling faithful image input
- Compact, lightweight and robust design, supporting various systems
- Focus & iris lock tab provided, supporting environments such as vibration

*Photograph is a similar model.



Focal Length (mm)		75
Iris Range		F2.8 ~ F22
Operation	Focus	Manual
	Iris	Manual
Angle Of View (H×V)	2/3"	6°43' × 5°02'
	1/2"	4°53' × 3°40'
	1/3"	3°40' × 2°45'
Focusing Range (From Front Of The Lens) (m)		∞ ~ 1.1
Object Dimensions at M.O.D. (H×V) (mm)	2/3"	114 × 85
	1/2"	83 × 62
	1/3"	62 × 47
Back Focal Distance (in air) (mm)		15.74
Exit Pupil Position (From Image Plane) (mm)		-26.6
Filter Thread (mm)		M30.5 × 0.5
Mount		C
Mass (g)		55

Remarks
 • With Metal Mount
 • With Locking Knob for Iris and Focus