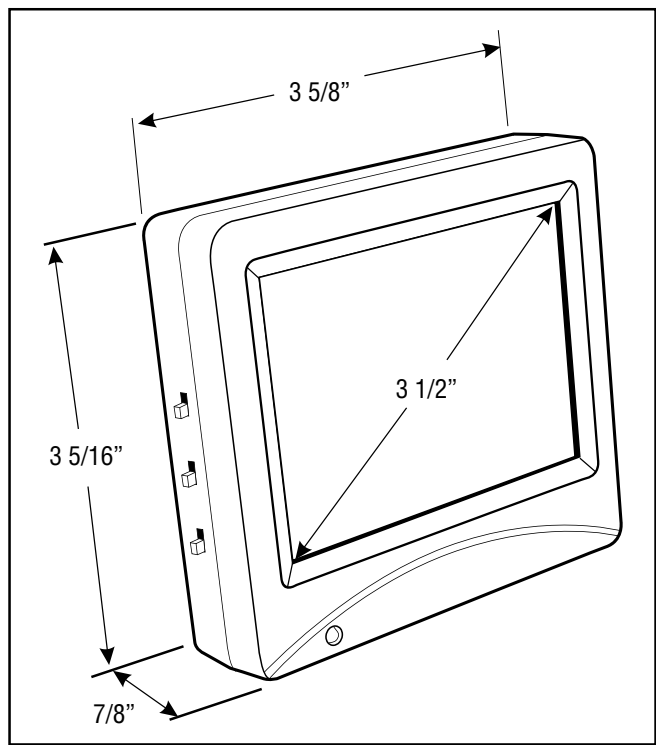


LCDP35

TECHNICAL SPECIFICATIONS

3.5" TFT-LCD HOUSED COLOR MONITOR



FEATURES

- On/Off Switch
- Mirror Image

SPECIFICATIONS

- DISPLAY:** 3.5" Color TFT-LCD Monitor
INPUT SIGNAL: NTSC/PAL Auto Switch
DOT FORMAT: 480 x 234
BACK LIGHT: CCFT
LAMP LIFE: 10,000 Hrs.
BRIGHTNESS RATING: 200 NITS
CONTRAST RATIO: 120:1
VIEWING ANGLE (L/R/T/B): 55°/55°/15°/35°
POWER REQUIREMENTS: 12VDC @ 375 mA
VIDEO INPUT LEVEL: 1.0 Vp-p (Positive) 75 Ohms
DIMENSIONS (HxWxD): 3 5/16" x 3 5/8" x 7/8"
OPERATING TEMPERATURE: 0° ~ 60°C
STORAGE TEMPERATURE: -20° ~ 80°C
WEIGHT: 4.3 oz.

**Specifications subject to change without notice*



BOCK OPTRONICS INC.
 14 Steinway Blvd., Unit 7
 Toronto, Ontario M9W 6M6, Canada
 Tel: 416-674-2804 Fax: (416) 674-1827

Quebec & Eastern Canada
 Tel: 450-662-9889
 Fax: 450-662-9063

Website: www.bockoptronics.ca
 E-mail: sales@bockoptronics.ca