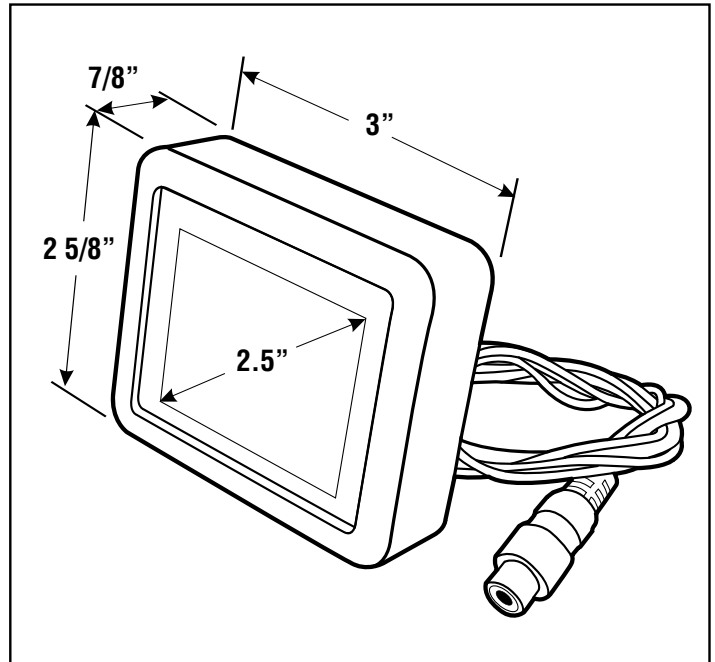


LCDP25LSMT TECHNICAL SPECIFICATIONS

2.5" TFT-LCD COLOR HOUSED MONITOR



- FEATURES**
- LED BACKLIGHT

SPECIFICATIONS

DISPLAY:	2.5" Color TFT-LCD Active Matrix Monitor
INPUT SIGNAL:	NTSC/PAL Auto Switching
DOT FORMAT:	480 x 234
BACK LIGHT:	LED
BACKLIGHT LIFE:	10,000 Hrs.
BRIGHTNESS RATING:	200 NITS
CONTRAST RATIO:	150:1
VIEWING ANGLE (L/R/T/B):	45°/45°/10°/35°
POWER REQUIREMENTS:	12VDC @ 90 mA
DIMENSIONS (HxWxD):	2 5/8" x 3" x 7/8"
OPERATING TEMPERATURE:	0° ~ 60°C
STORAGE TEMPERATURE:	-25° ~ 80°C

**Specifications subject to change without notice*



BOCK OPTRONICS INC.
 14 Steinway Blvd., Unit 7
 Toronto, Ontario M9W 6M6, Canada
 Tel: 416-674-2804 Fax: (416) 674-1827

Quebec & Eastern Canada
 Tel: 450-662-9889
 Fax: 450-662-9063

Website: www.bockoptronics.ca
 E-mail: sales@bockoptronics.ca