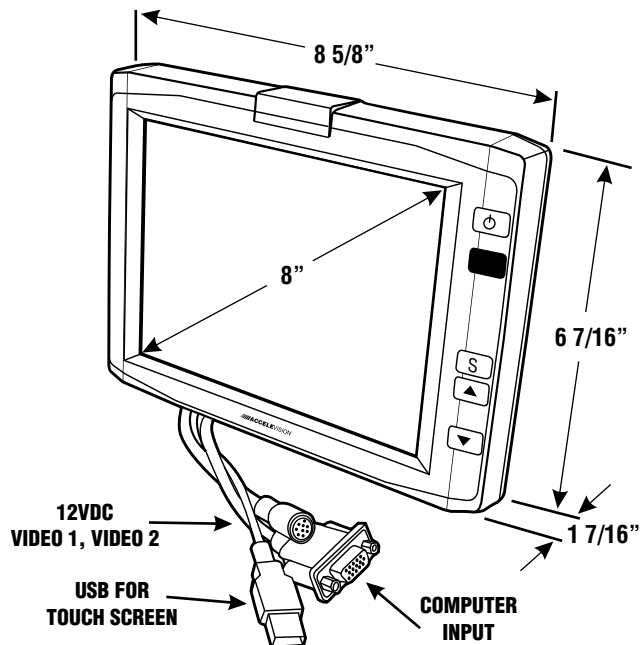


LCDP8VGATS

TECHNICAL SPECIFICATIONS

8" TFT COLOR TOUCH SCREEN LCD MONITOR



SPECIFICATIONS

DISPLAY:	8" TFT-LCD
BACK LIGHT:	CCFL
RESOLUTION:	800 x 600 (SVGA)
DOT PITCH:	0.107(H) x 0.372(V)
VIEWING ANGLE:	L/R/T/B 65°/ 65°/ 40°/ 65°
BRIGHTNESS RATING:	220 cd/m ²
NUMBER OF PIXELS:	480,000
VIDEO INPUT LEVEL:	Composite 1V p-p (75 ohms)
INPUT SIGNAL:	COMPUTER, NTSC, PAL, (AUTO-SWITCHING)
POWER SOURCE:	DC 12V +/- 15%
POWER CONSUMPTION:	950mA
OPERATION TEMPERATURE:	0°C ~ +50°C (+32°F ~ +122°F)
STORAGE TEMPERATURE:	-30°C ~ +60°C (-22°F ~ +140°F)
MOUNTING:	(1/4 20) Thread mounting on bottom of unit (mount included)
DIMENSIONS:	6 7/16"(H) x 8 5/8"(W) x 1 7/16"(D)
NET WEIGHT:	670 Grams

FEATURES

- 8" TFT-LCD PANEL
- (USB) TOUCH SCREEN
- ON SCREEN DISPLAY
- 2 VIDEO INPUTS
- REMOTE CONTROL

